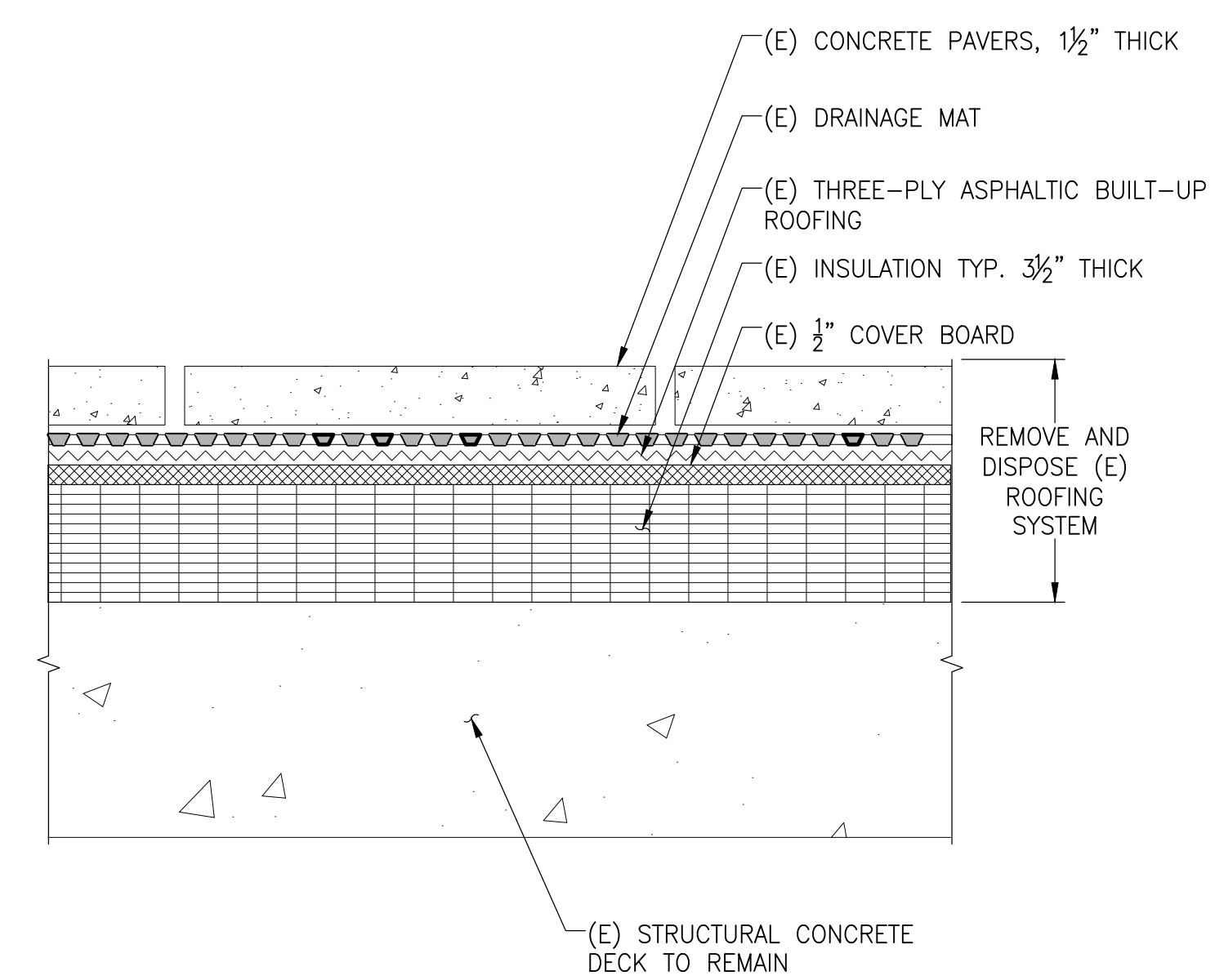


**1 PLAN: ROOF UNDER TRACKS**  $3/32" = 1'-0"$

LEGEND	
□	STRUCTURAL SUPPORT, SEE DETAIL 2/R-2.0
○ <sub>p</sub>	(E) PIPE PENETRATION, SEE DETAIL 6/R-2.0
⊕	DRAIN, SEE DETAIL 3/R-2.0
▲	DIRECTION OF SLOPE



**2 SECTION EXISTING ROOFING SYSTEM** N.T.S.



OVERVIEW OF ROOF SHOWING TYPICAL PENETRATIONS AND STRUCTURE OF TRAIN TRACKS ABOVE



OVERVIEW OF ROOF SHOWING LOW-HANGING PIPES BENEATH TRAIN TRACKS

**3 PHOTOS OF EXISTING CONDITIONS** N.T.S.

No.	Date	Description	By
△	08/20/20	ADDENDUM 1	RML

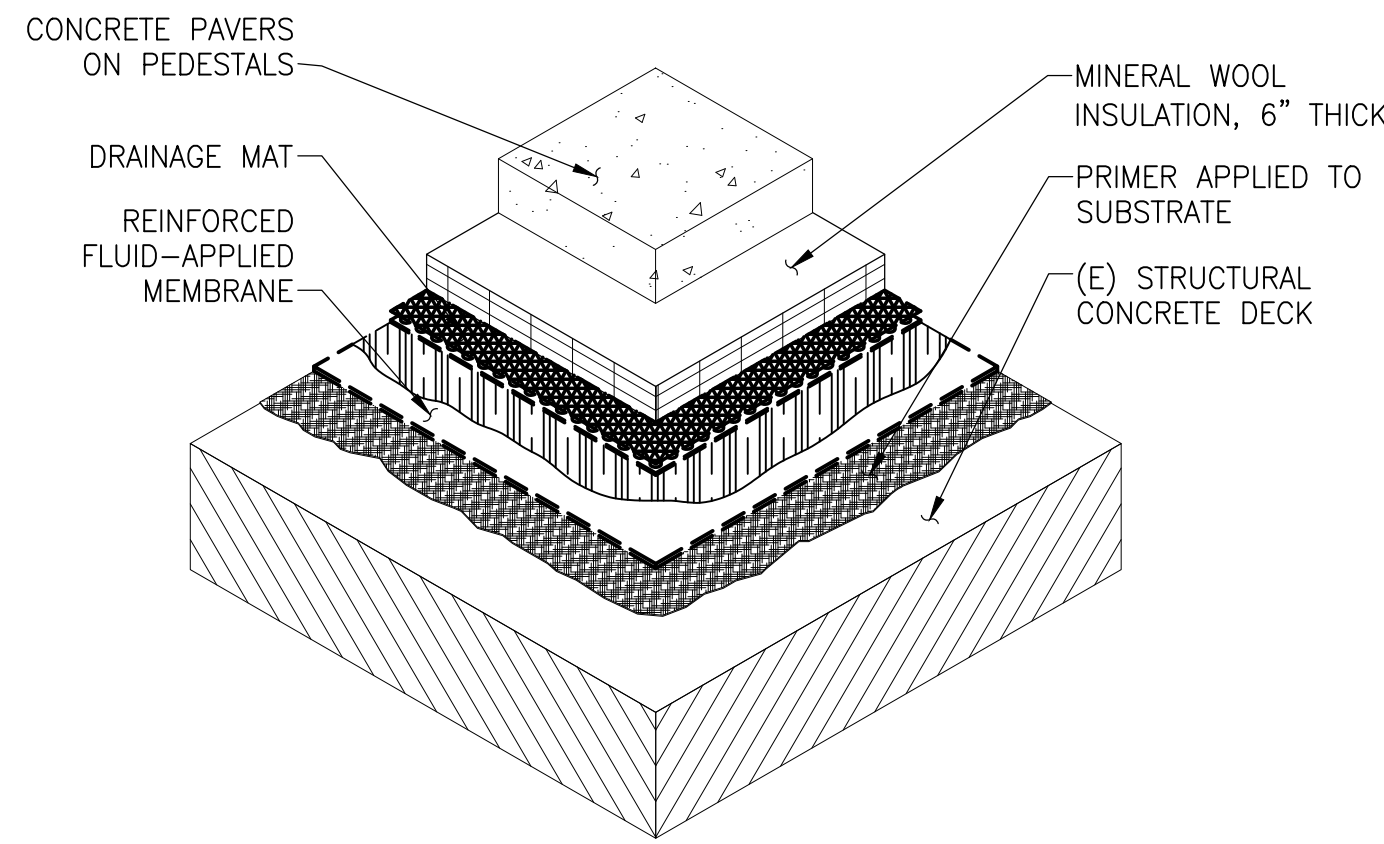
**UNION STATION TRANSPORTATION CENTER: ROOFING REPLACEMENT - ROOF UNDER TRACKS**  
1 UNION PLACE, HARTFORD, CT

**FLUID-APPLIED WATERPROOFING: ROOF PLAN**

Project No. 191971.00	Checked JCD/KSW	Date 08/03/2020
Drawn RML	Approved MBB	Scale AS NOTED

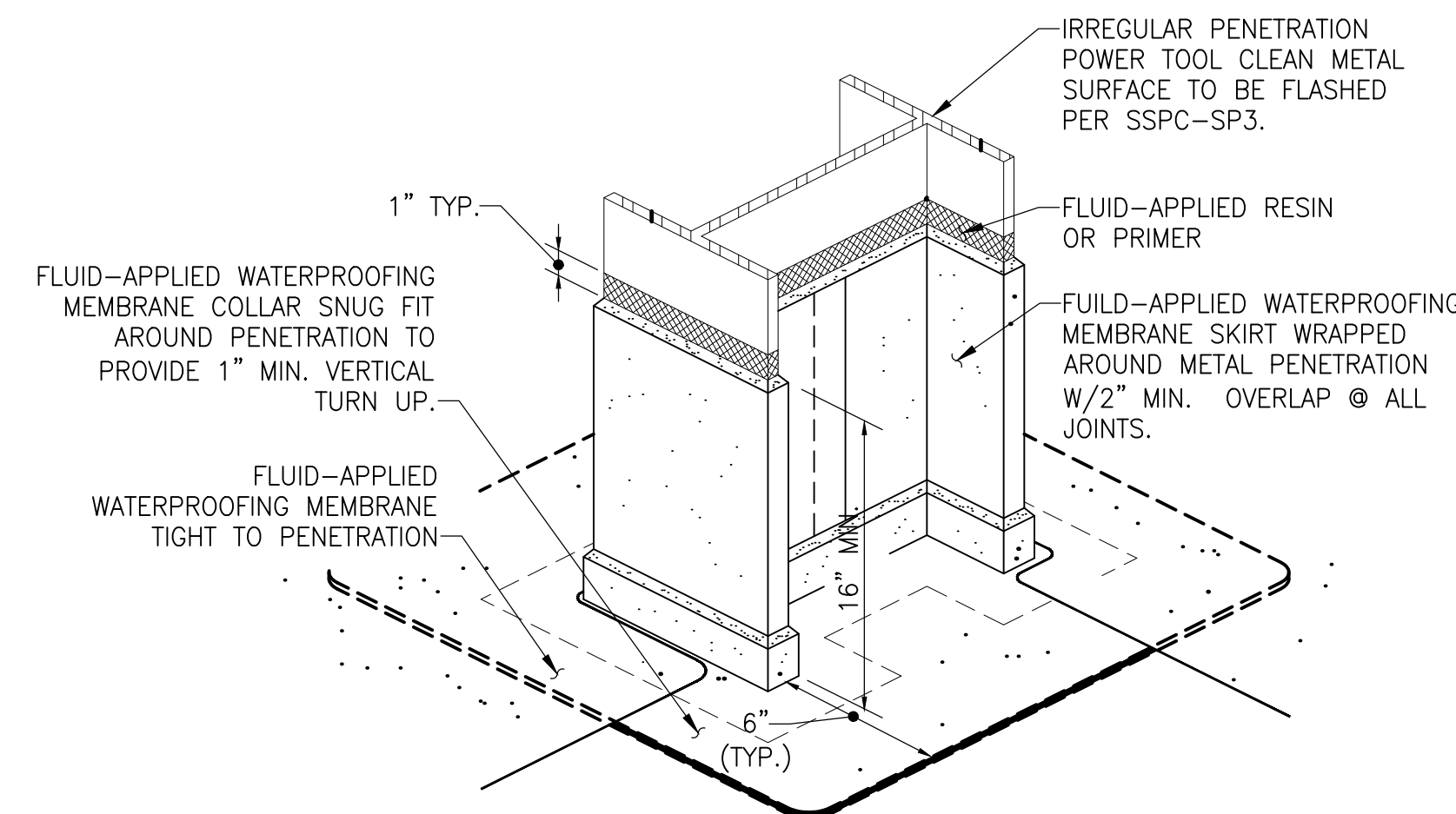
Drawing No.  
**R-1.1**





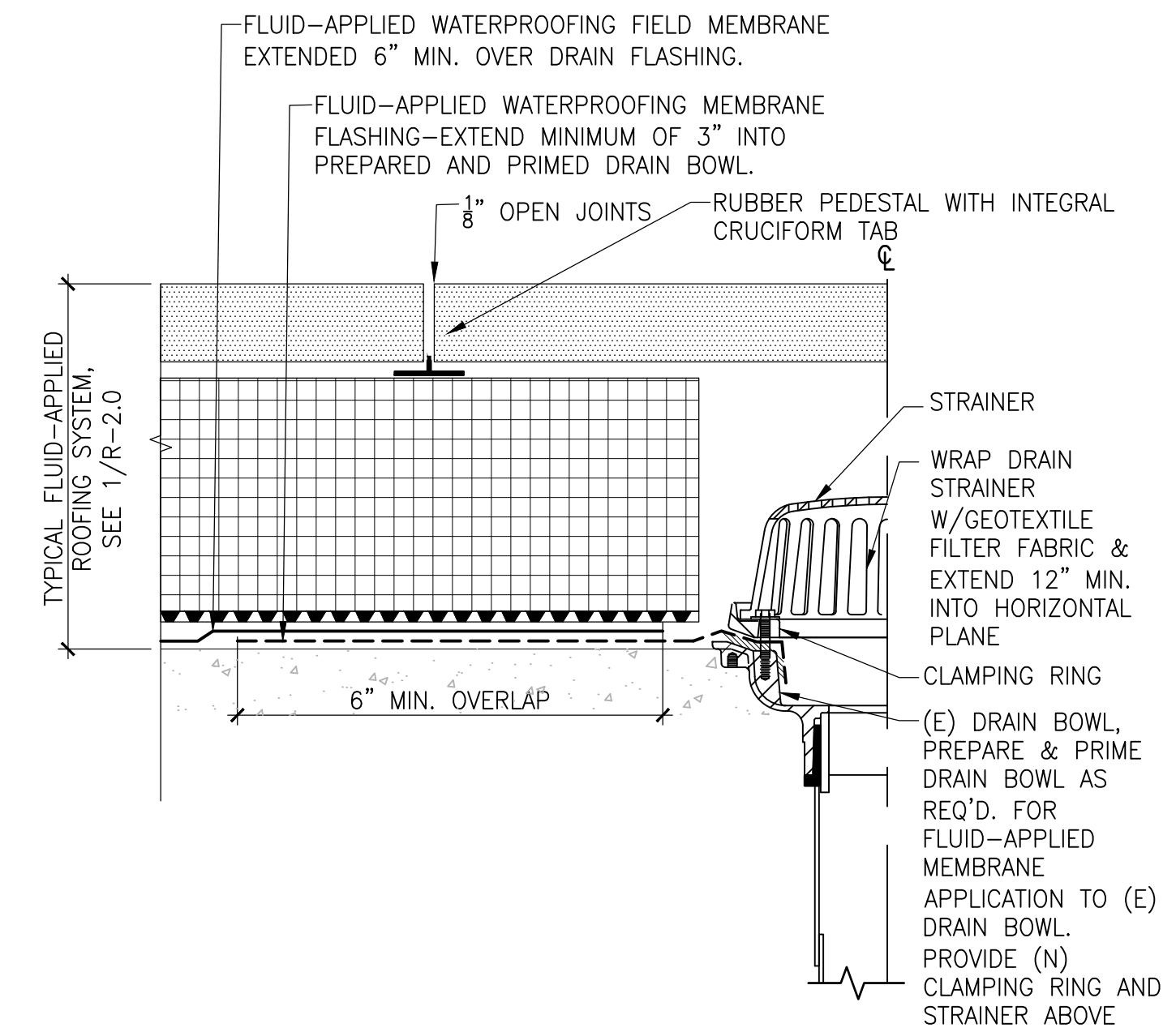
IRREGULAR PENETRATION  
POWER TOOL CLEAN ALL (E)  
METAL SURFACES TO BE  
FLASHED PER SSPC-SP3.

2A PHOTO



2B ISOMETRIC

NOTES:  
1. PAVING SYSTEM NOT SHOWN FOR CLARITY  
2. IRREGULAR PENETRATION SHAPES AND GEOMETRIES VARY FROM THOSE SHOWN IN 2A AND 2B, BUT CONCEPT REMAINS SIMILAR



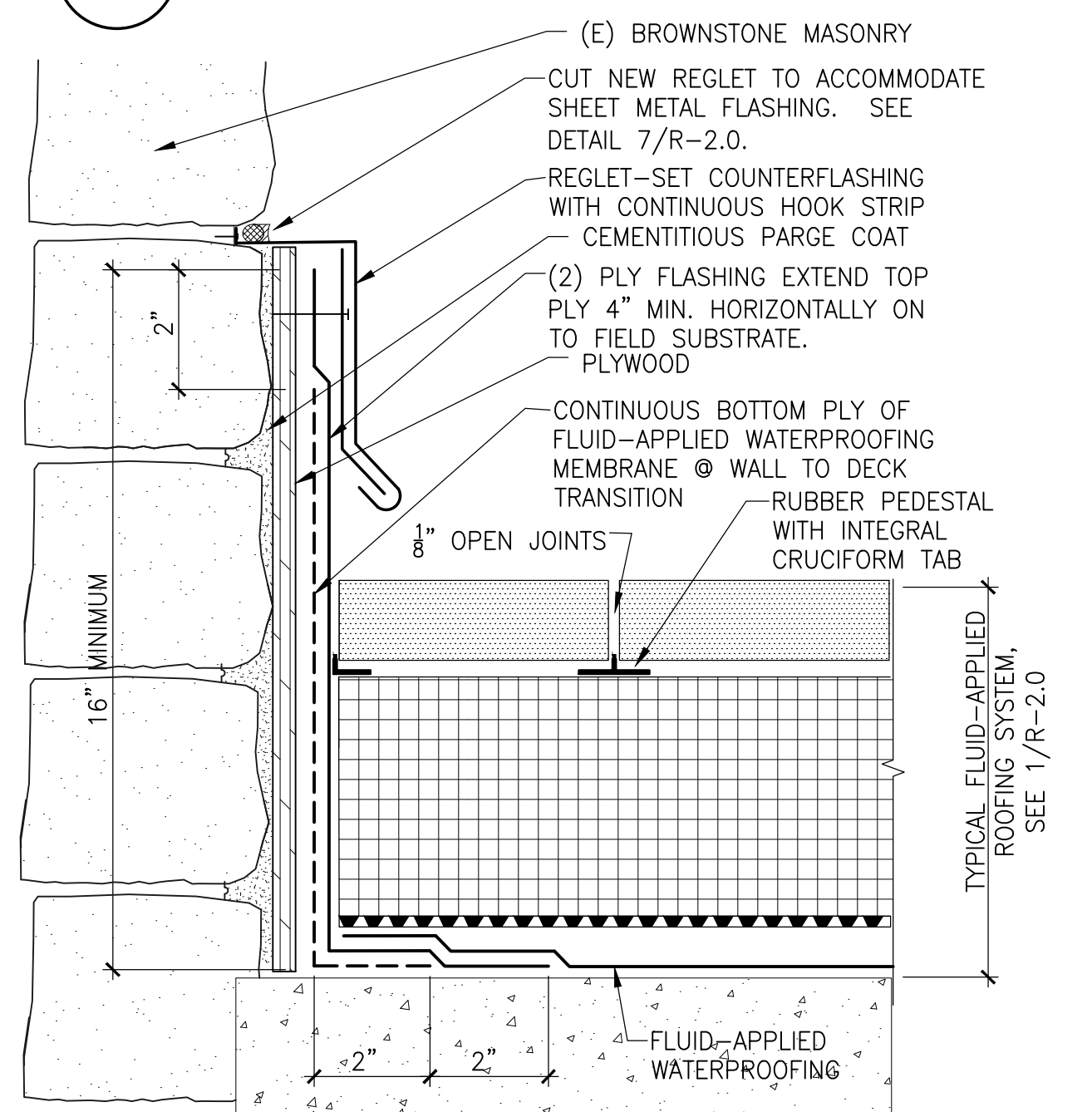
3

SECTION - DETAIL AT DRAIN

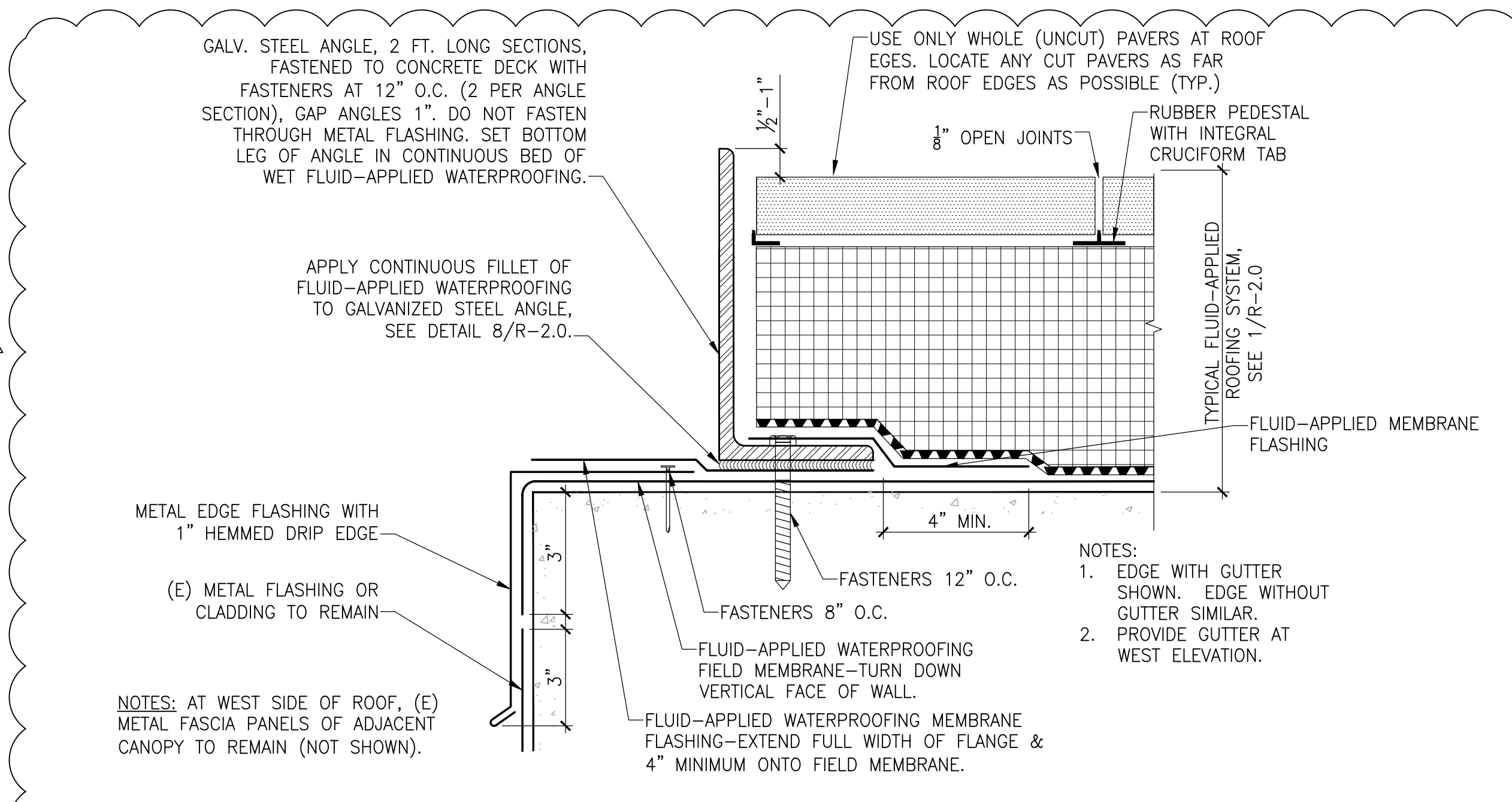
1 SECTION - NEW FLUID-APPLIED ROOFING SYSTEM

2 PHOTO AND ISOMETRIC - FLASHING AT IRREGULAR PENETRATION

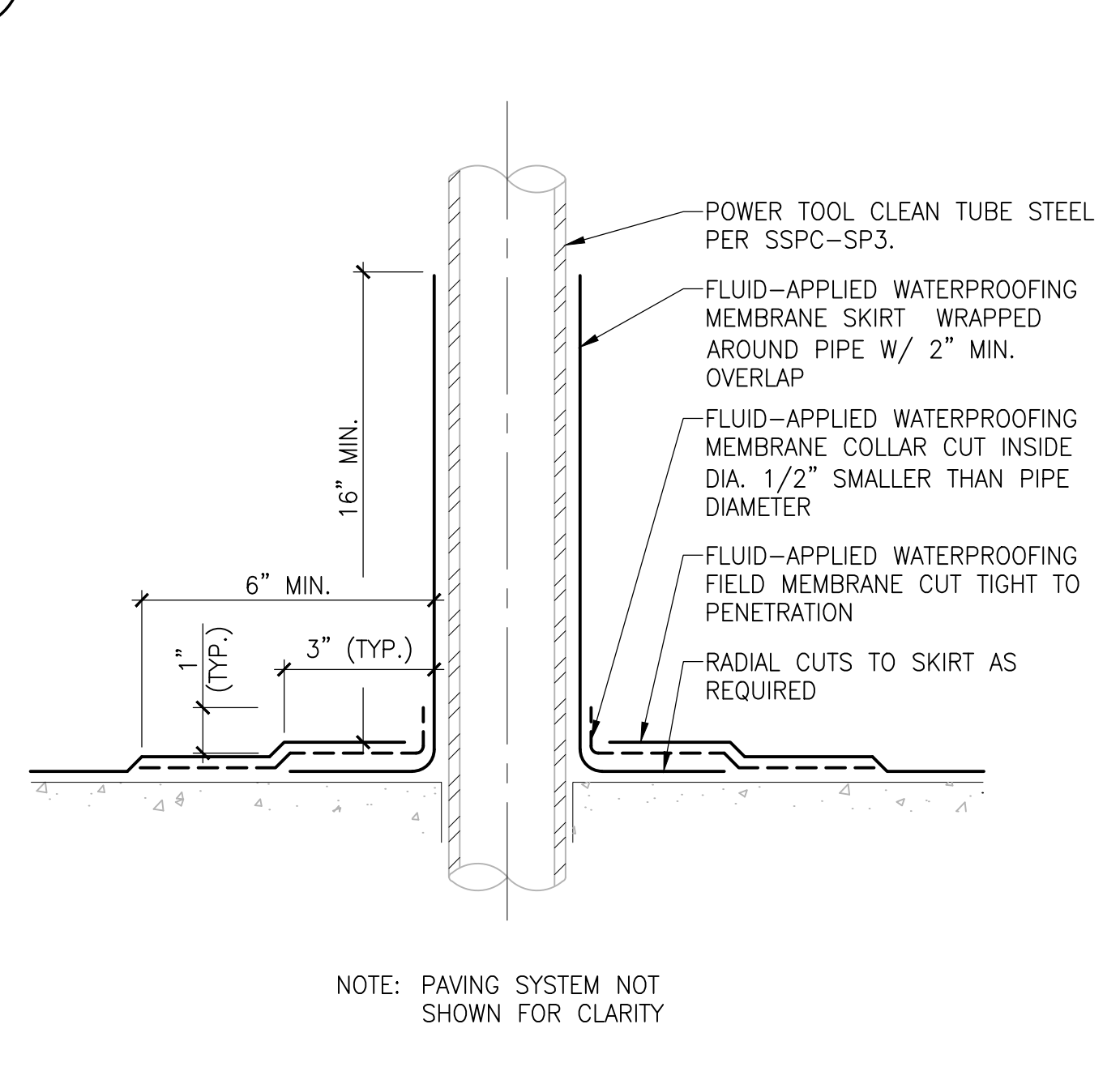
SECTION - DETAIL AT DRAIN



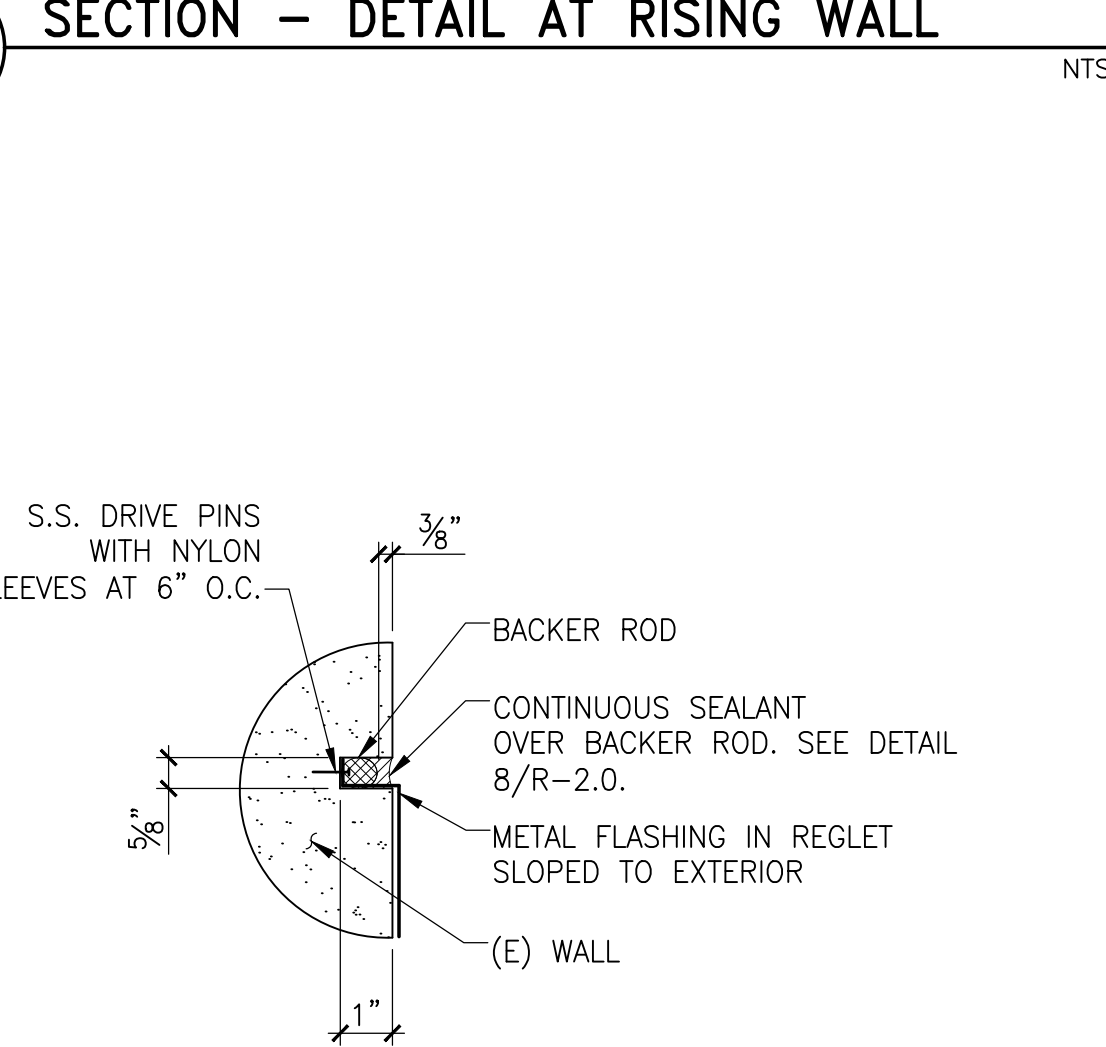
4 SECTION - DETAIL AT RISING WALL



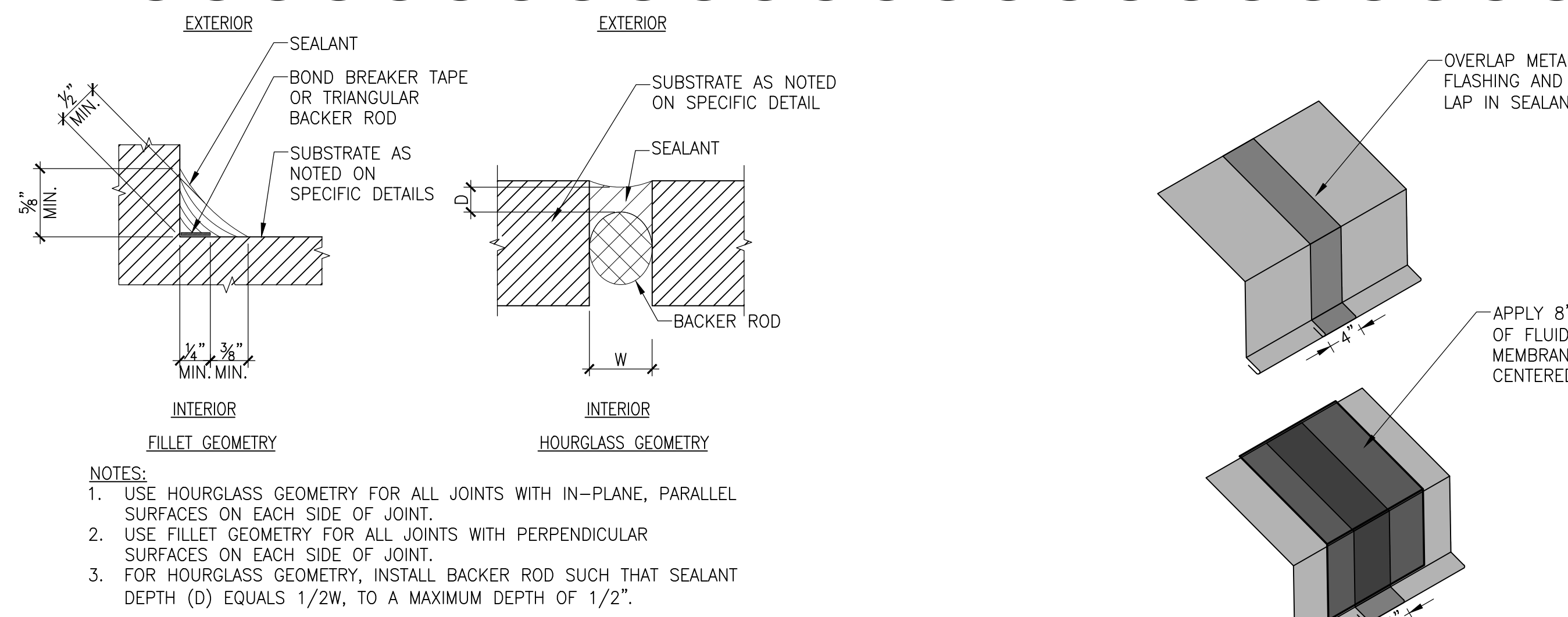
5 SECTION - EDGE FLASHING



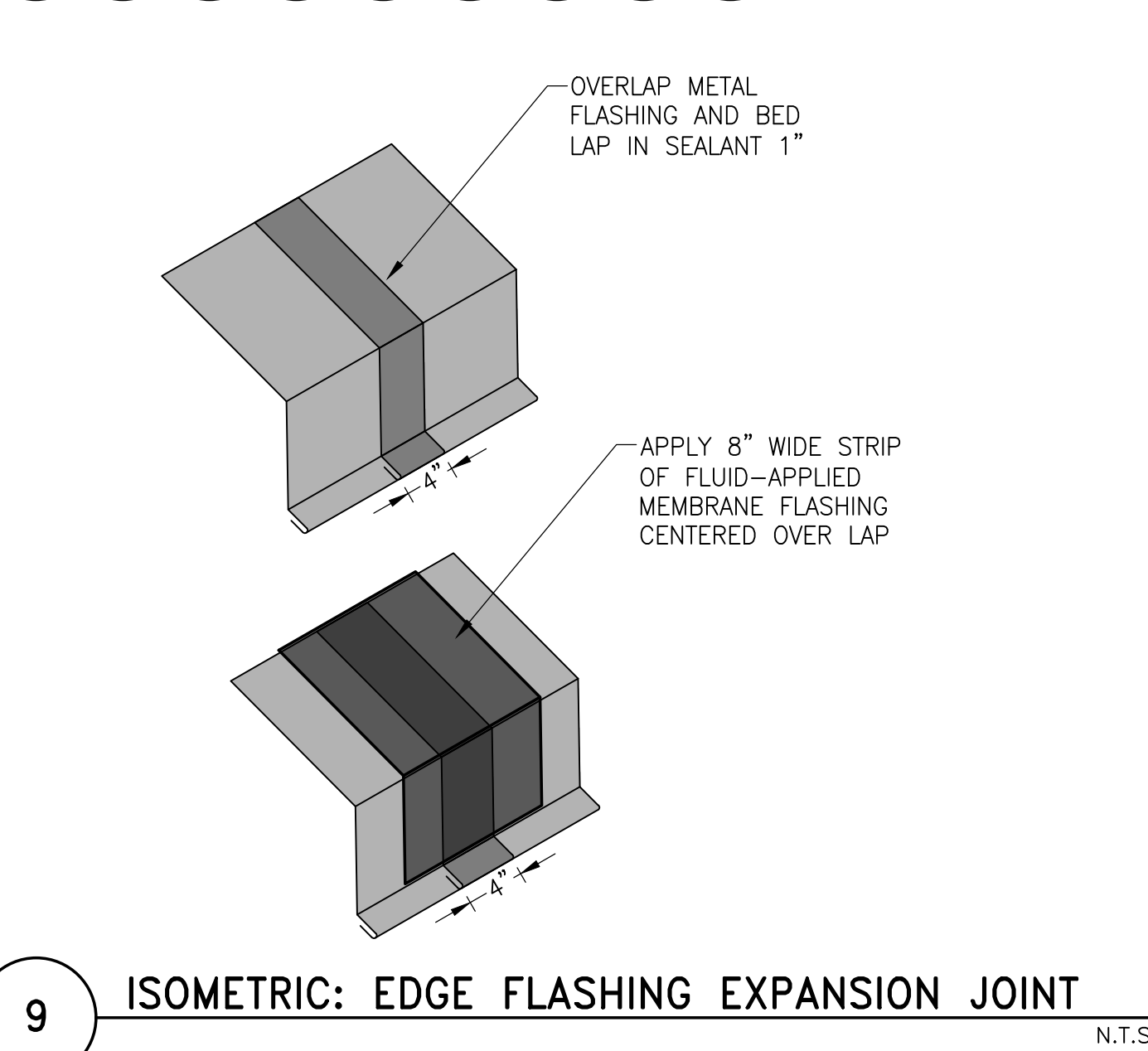
6 SECTION - PIPE PENETRATION FLASHING



7 SECTION - TYPICAL REGLET



8 SECTION AND PLAN: TYPICAL SEALANT JOINT GEOMETRIES



9 ISOMETRIC: EDGE FLASHING EXPANSION JOINT

**SIMPSON GUMPERTZ & HEGER**  
Engineering of Structures and Building Enclosures

Simpson Gumpertz & Heger Inc.  
480 Totten Pond Road  
Waltham, Massachusetts 02451  
Main: 781.907.9000 Fax: 781.907.9009  
www.sgh.com

Boston  
Chicago  
Houston  
Los Angeles  
New York  
San Francisco  
Washington, DC

**Greater Hartford Transit District**

GHTD PROJECT NO. 03-021

Owner Client

No.	Date	Description	By
08/20/20		ADDENDUM 1	RML

**UNION STATION TRANSPORTATION CENTER: ROOFING REPLACEMENT - ROOF UNDER TRACKS**  
1 UNION PLACE, HARTFORD, CT

**FLUID-APPLIED WATERPROOFING: DETAILS**

Project No. 191971.00	Checked JCD/KSW	Date 08/03/2020
Drawn RML	Approved MBB	Scale AS NOTED

Drawing Title

Drawing No.

**R-2.0**

BID SET - NOT FOR CONSTRUCTION