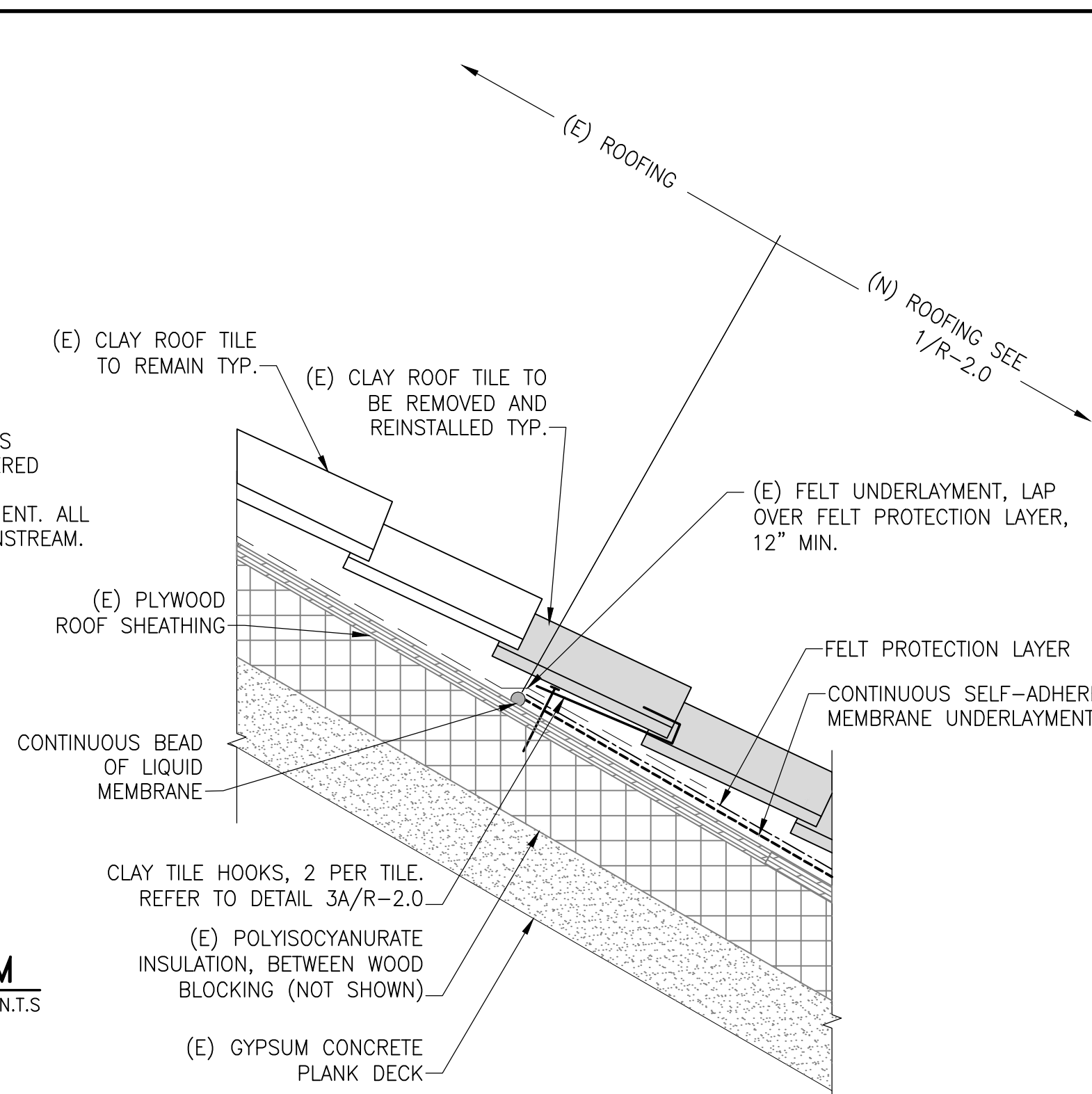
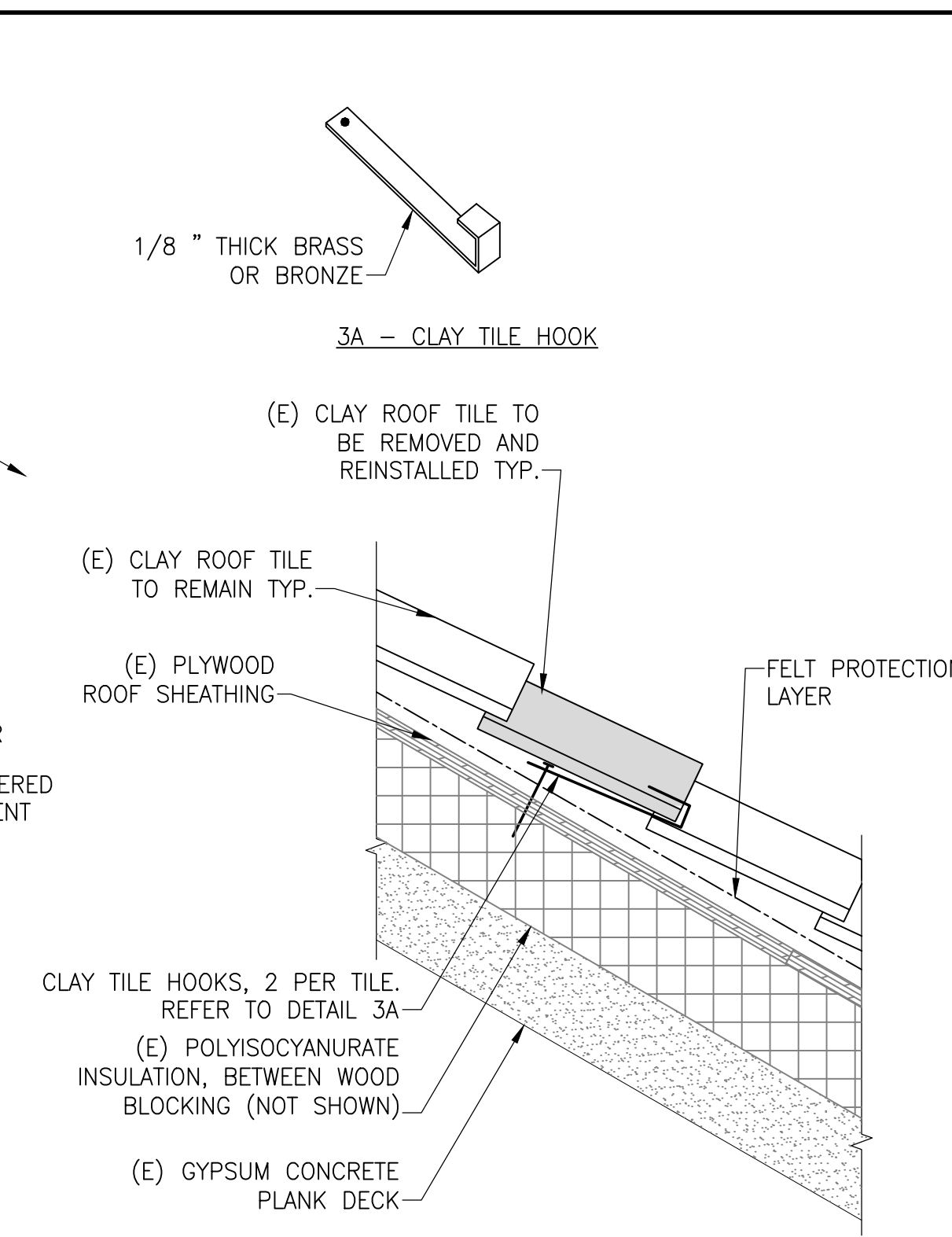


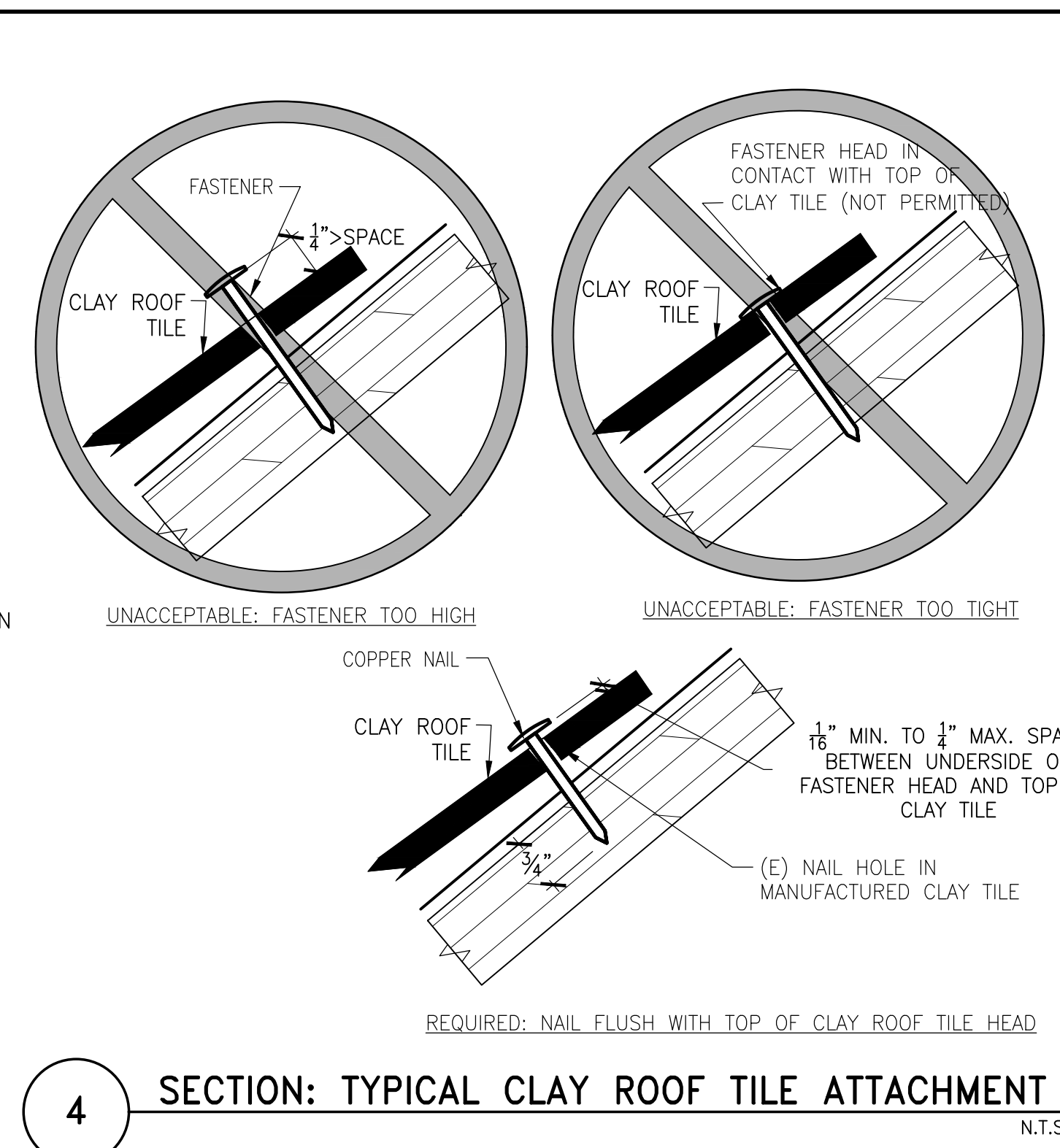
1 SECTION: NEW CLAY TILE ROOFING SYSTEM N.T.S.



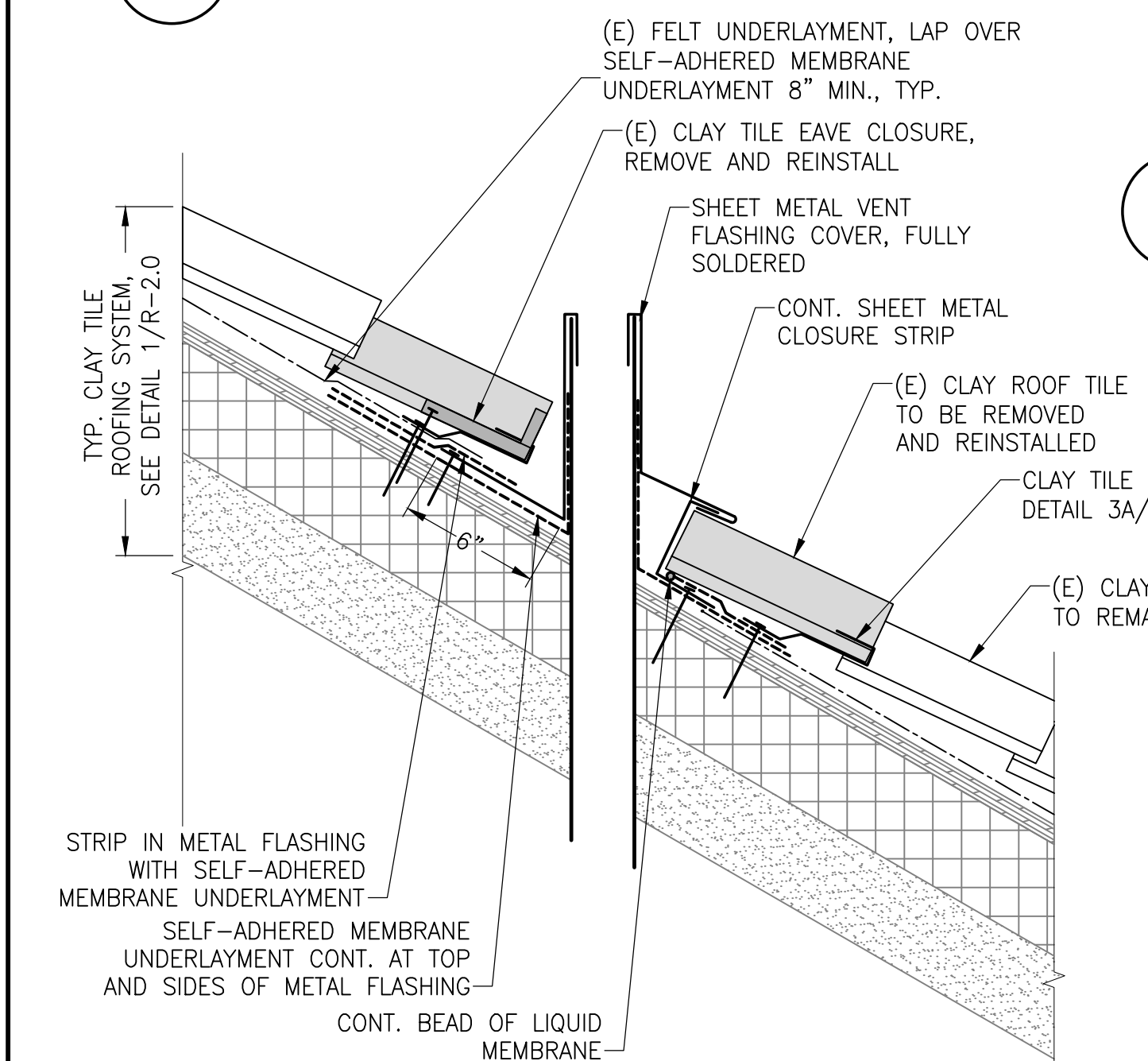
2 SECTION: TRANSITION FROM (E) TO (N) ROOFING N.T.S.



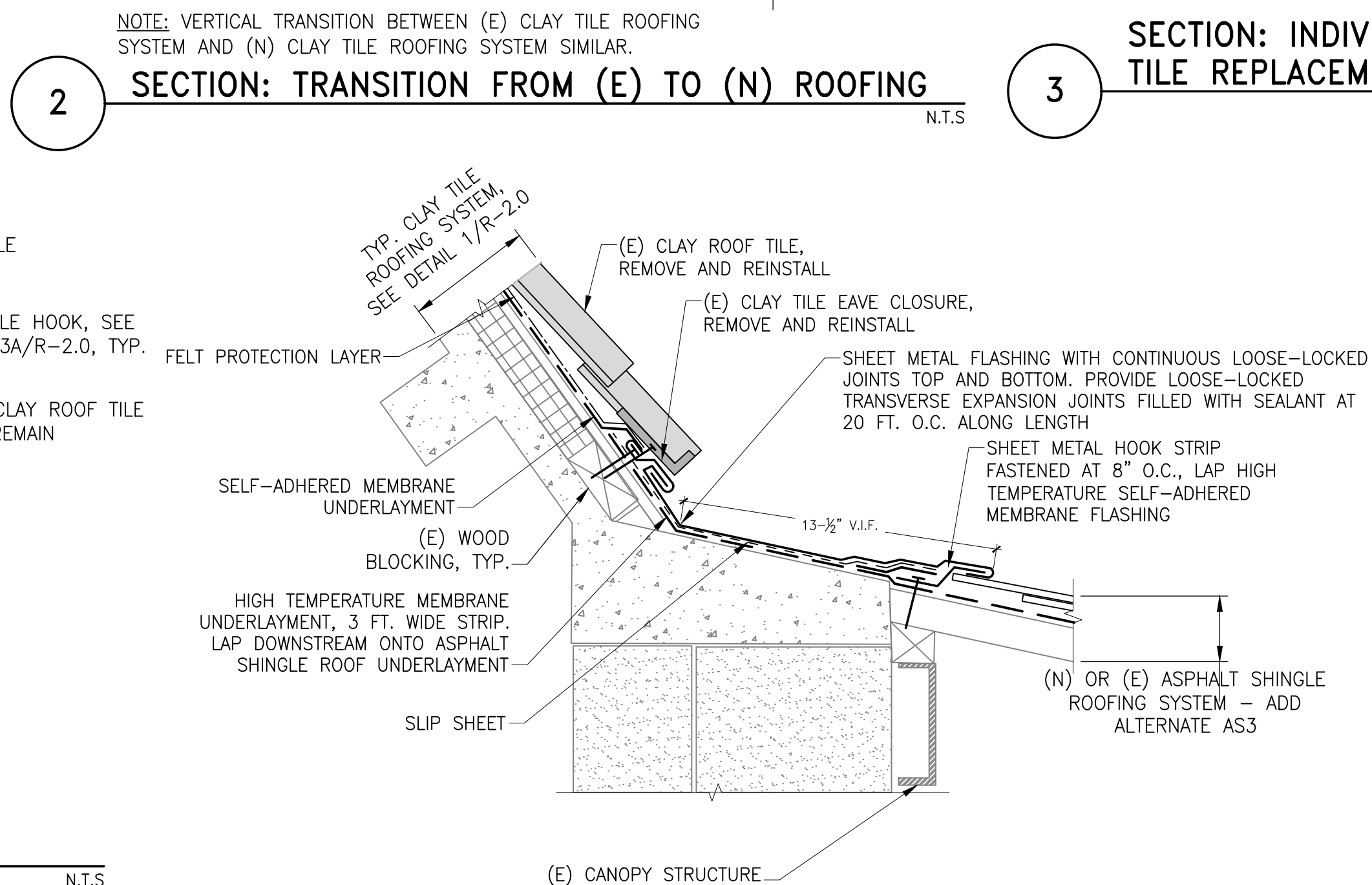
3 SECTION: INDIVIDUAL CLAY TILE REPLACEMENT N.T.S.



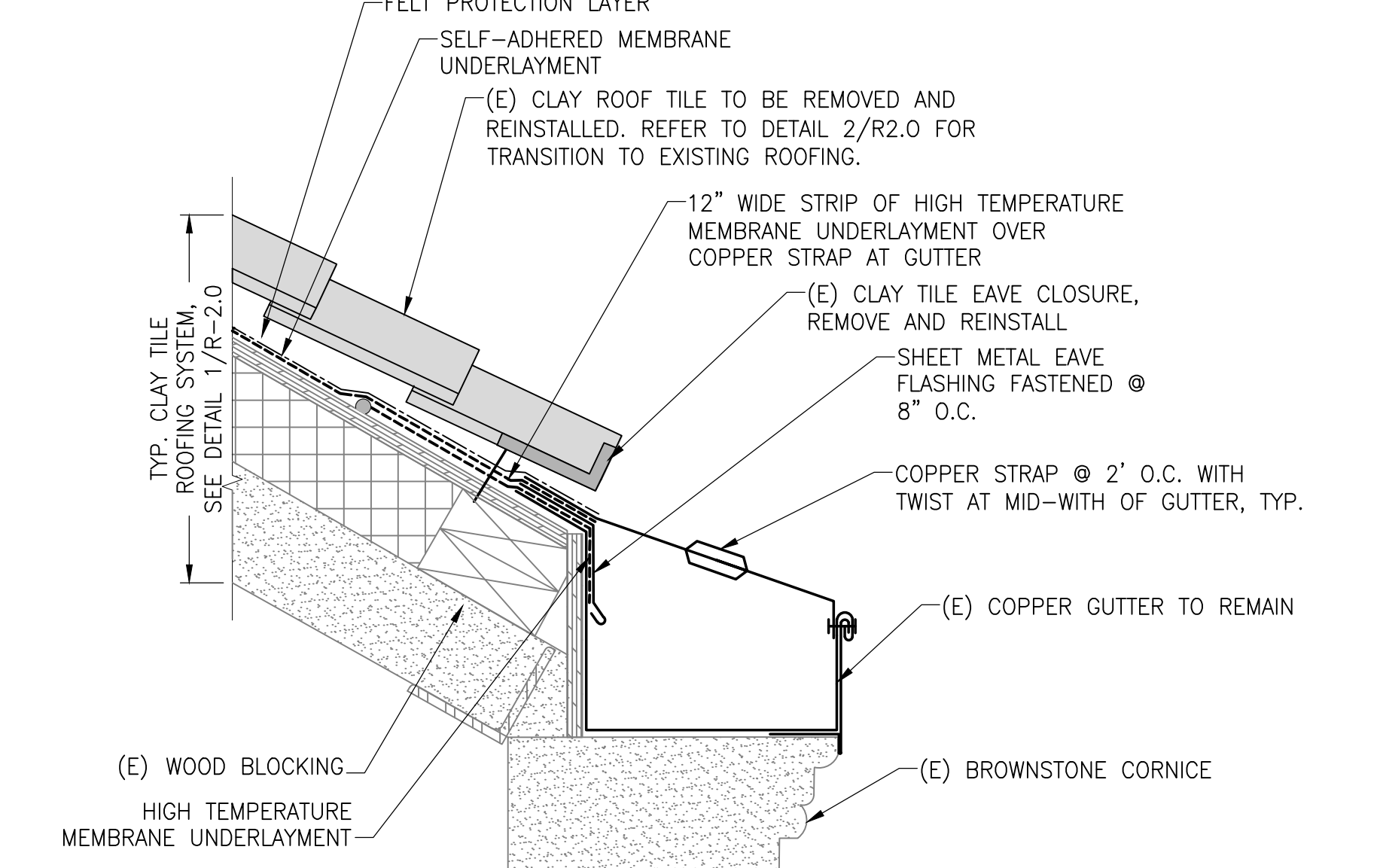
4 SECTION: TYPICAL CLAY ROOF TILE ATTACHMENT N.T.S.



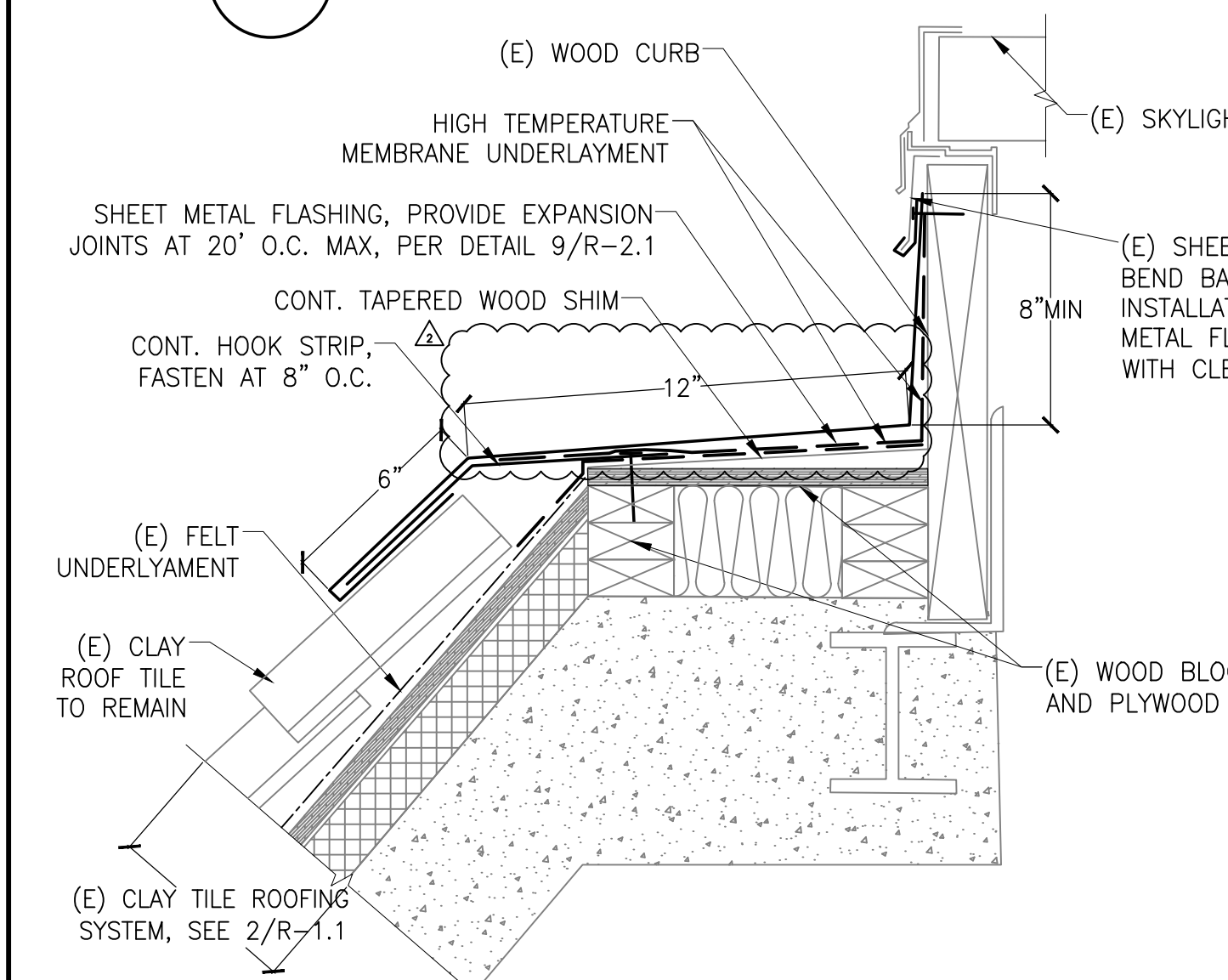
5 SECTION: VENT PENETRATION FLASHING AT CLAY TILE ROOFING N.T.S.



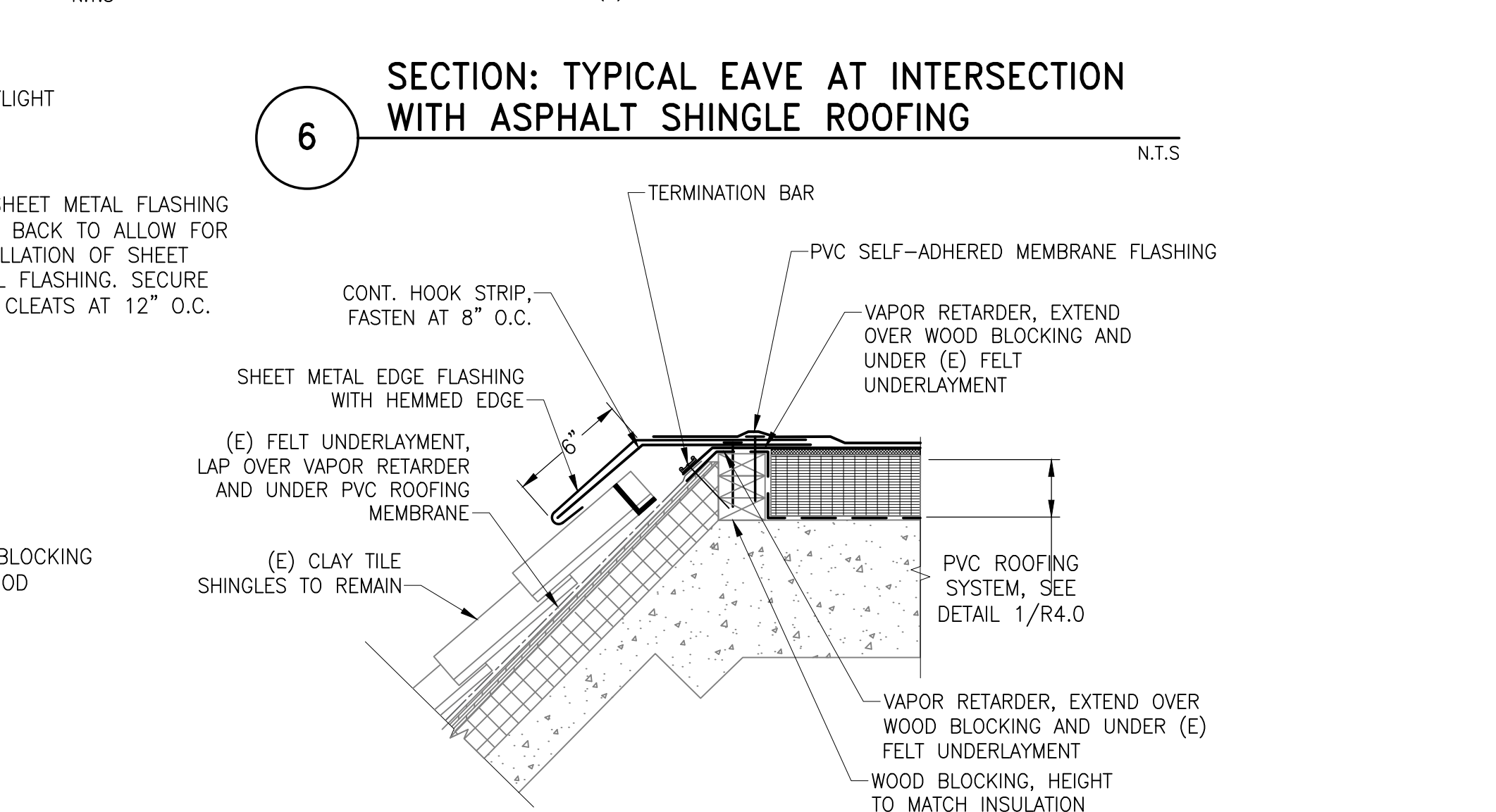
6 SECTION: TYPICAL EAVE AT INTERSECTION WITH ASPHALT SHINGLE ROOFING N.T.S.



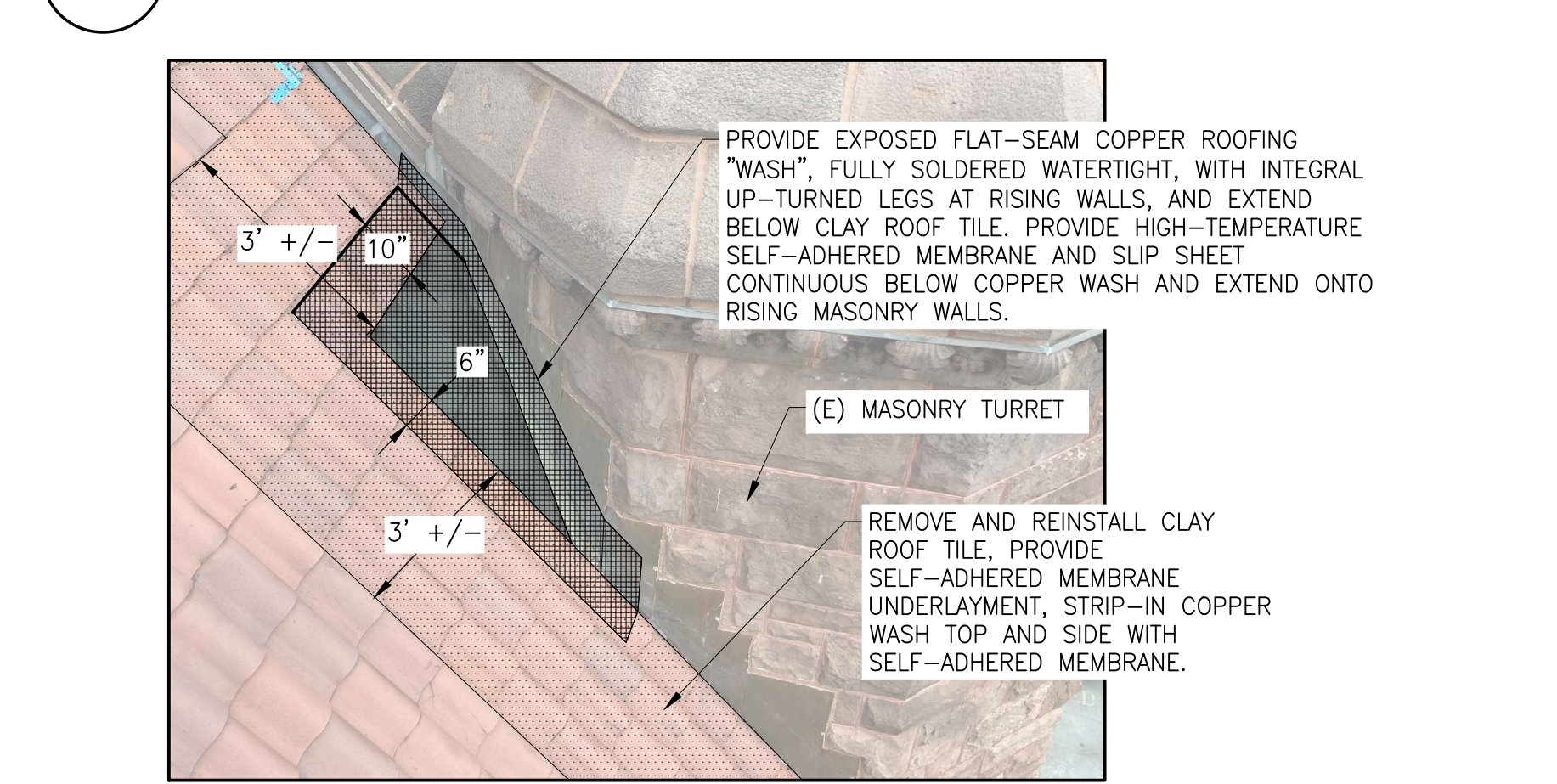
7 SECTION: TYPICAL EAVE W/ GUTTER N.T.S.



8 SECTION: RIDGE AT INTERSECTION WITH SKYLIGHT WITH ASPHALT SHINGLE ROOFING N.T.S.



9 SECTION: RIDGE AT INTERSECTION WITH PVC ROOFING N.T.S.



10 PHOTO: FLAT-SEAM COPPER "WASH" AT TURRET

SIMPSON GUMPERTZ & HEGER
Engineering of Structures and Building Enclosures

Simpson Gumpertz & Heger Inc.
480 Totten Pond Road
Waltham, Massachusetts 02451
Main: 781.907.9000 Fax: 781.907.9009
www.sgh.com

Boston
Chicago
Houston
Los Angeles
New York
San Francisco
Washington, DC

Greater Hartford Transit District

GHTD PROJECT NO. 02-021

Consultant

BID SET - NOT FOR CONSTRUCTION

No.	Date	Description	By
09/02/20		ADDENDUM 2	RML

UNION STATION TRANSPORTATION CENTER ROOFING REPAIR/REPLACEMENT
1 UNION PLACE, HARTFORD, CT

CLAY TILE ROOFING DETAILS

Drawing Title

Project No. 191971.00	Checked JCD/KSW	Date 08/03/2020
Drawn RML	Approved MBB	Scale AS NOTED

Drawing No.

R-2.0

Seal