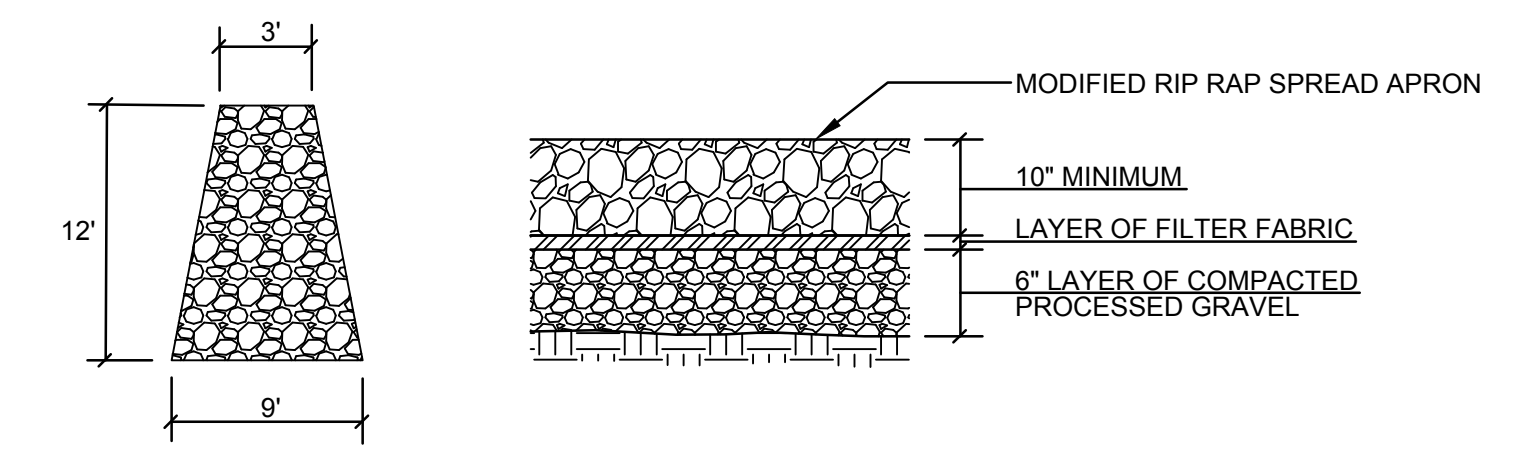
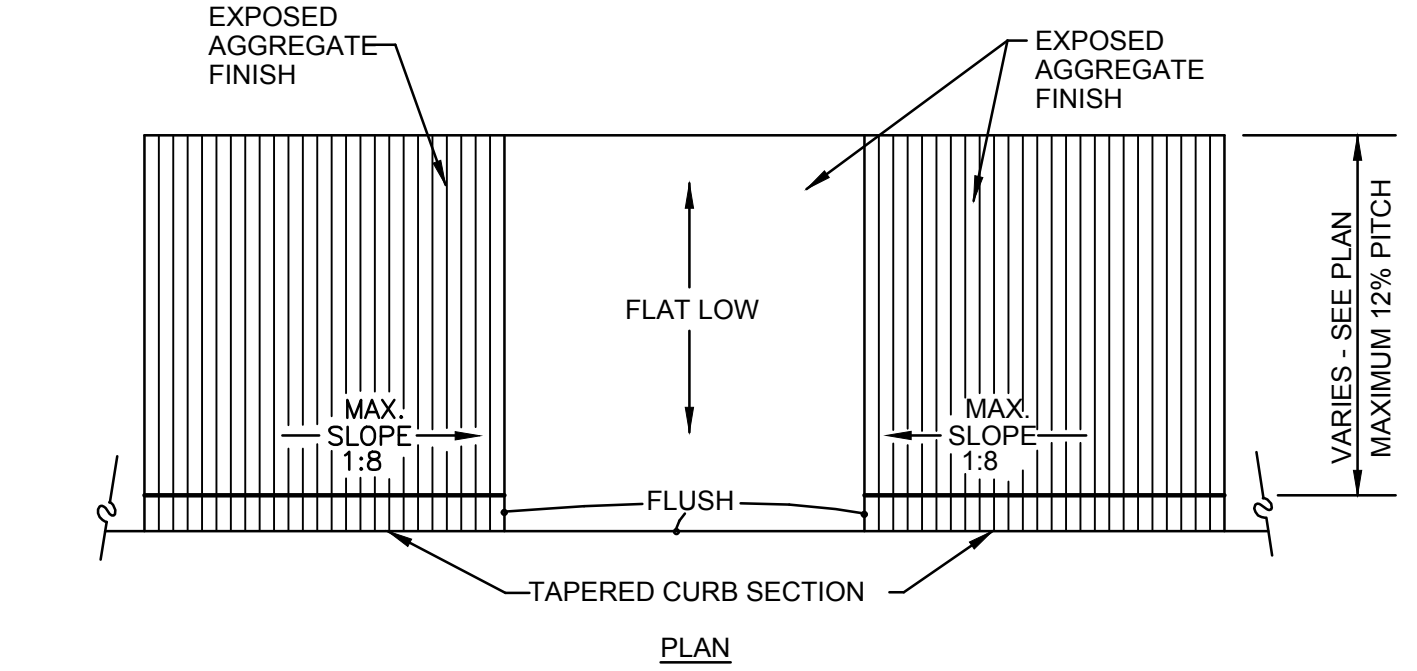
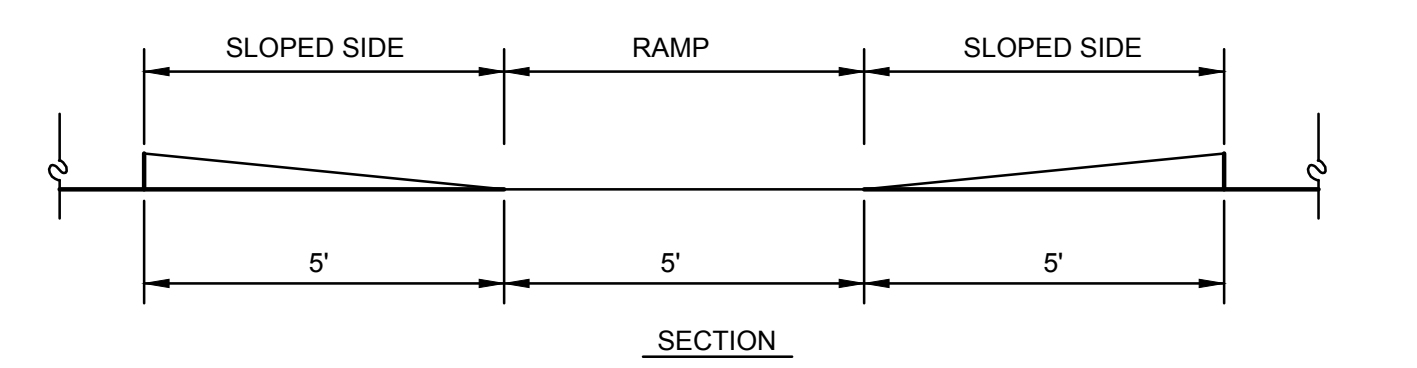


**ASPHALT PAVEMENT**  
NOT TO SCALE

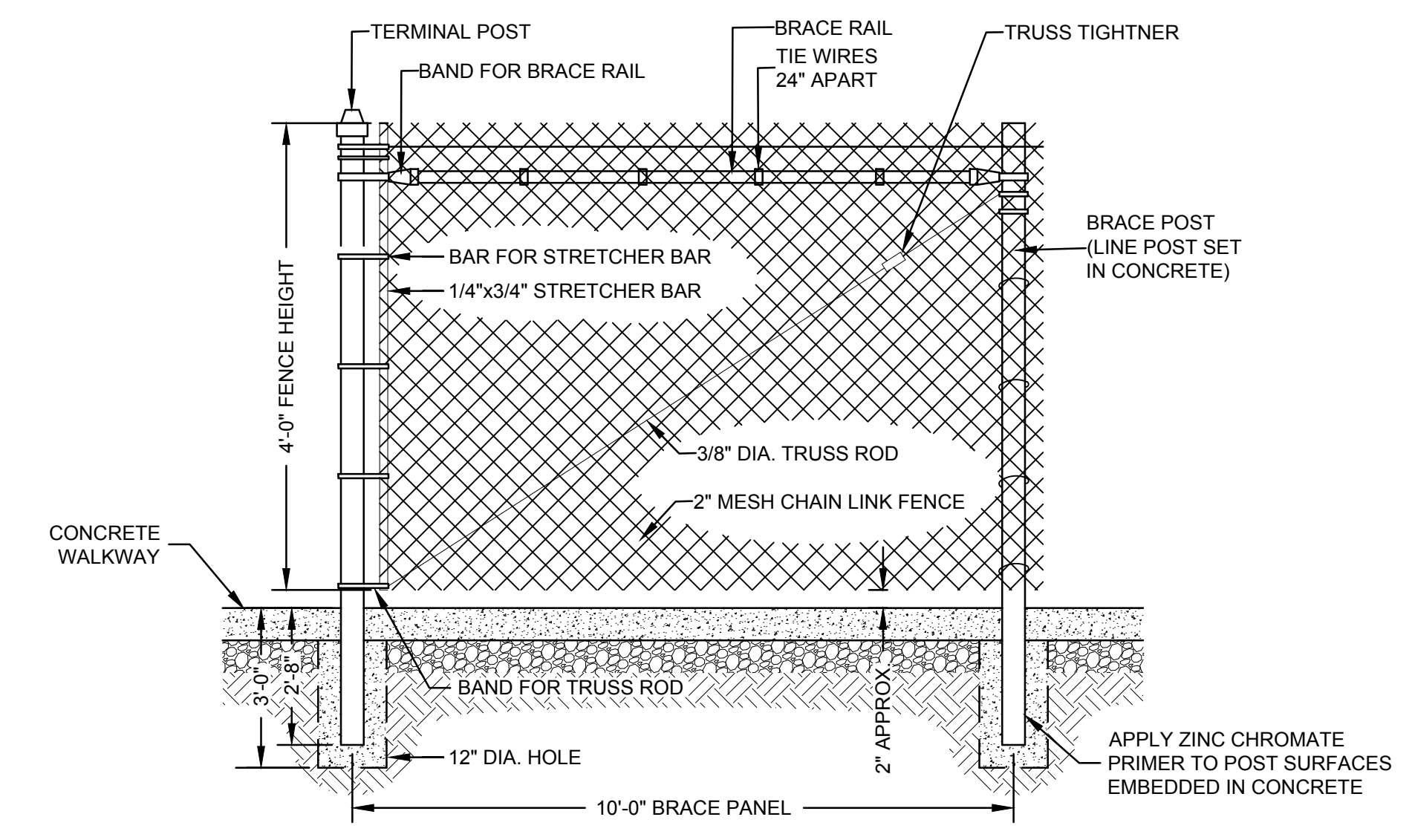


APRON DESIGN BASED ON 2000 CONNDOT DRAINAGE MANUAL  
**RIP RAP SPREAD APRON DETAIL**  
NOT TO SCALE

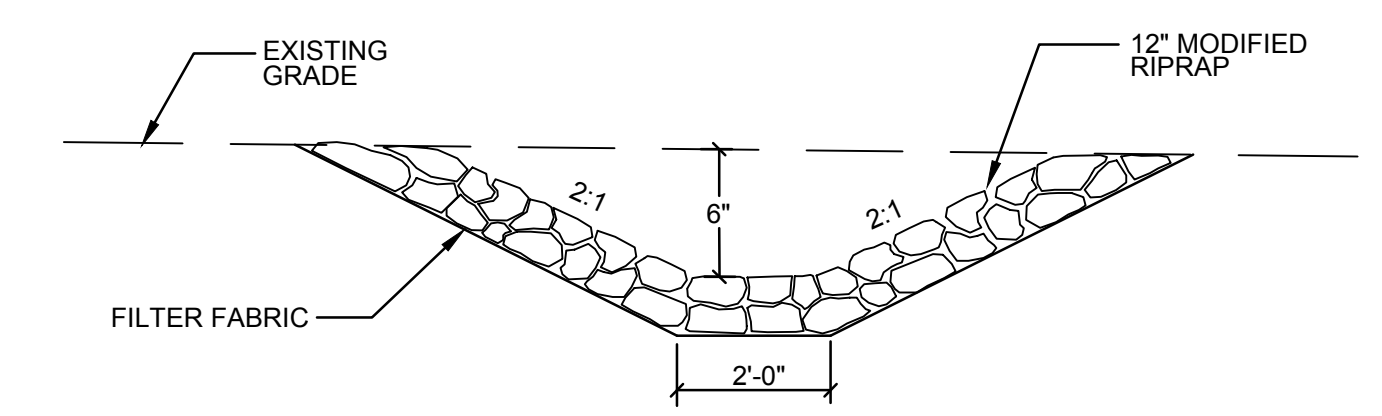


NOTE: ALL CONCRETE CURB RAMPS SHALL HAVE A EXPOSED AGGREGATE FINISH SURFACE TO PROVIDE A DETECTABLE WARNING TEXTURE AS REQUIRED BY SECTION 4.27 OF ANSI A117.1-1986.

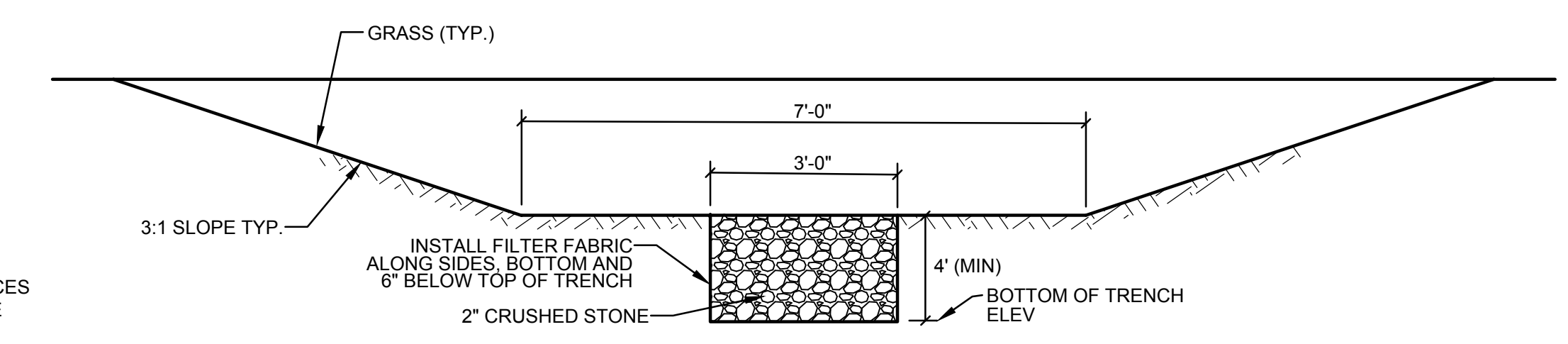
**CURB RAMP DETAIL**  
NOT TO SCALE



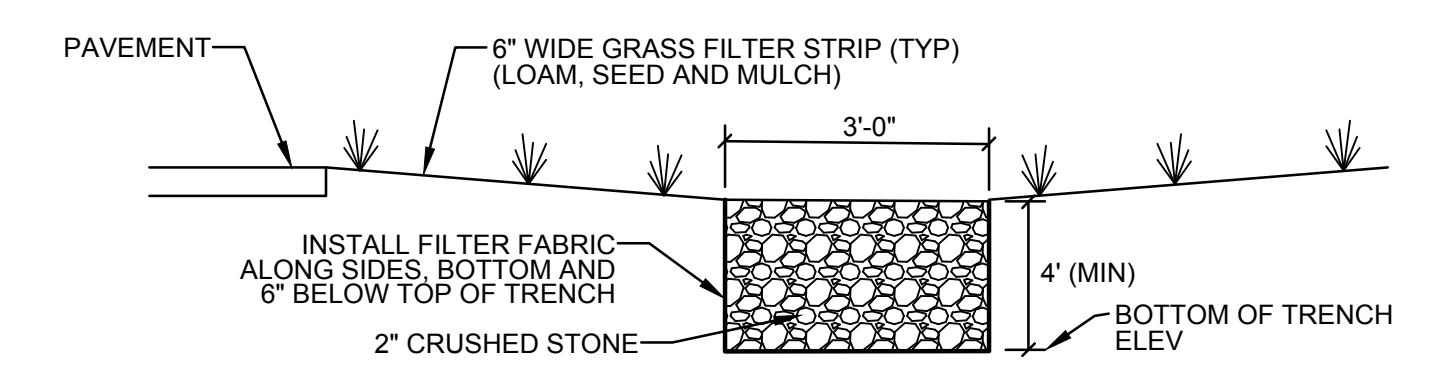
**TYPICAL FENCE LAYOUT**  
NOT TO SCALE



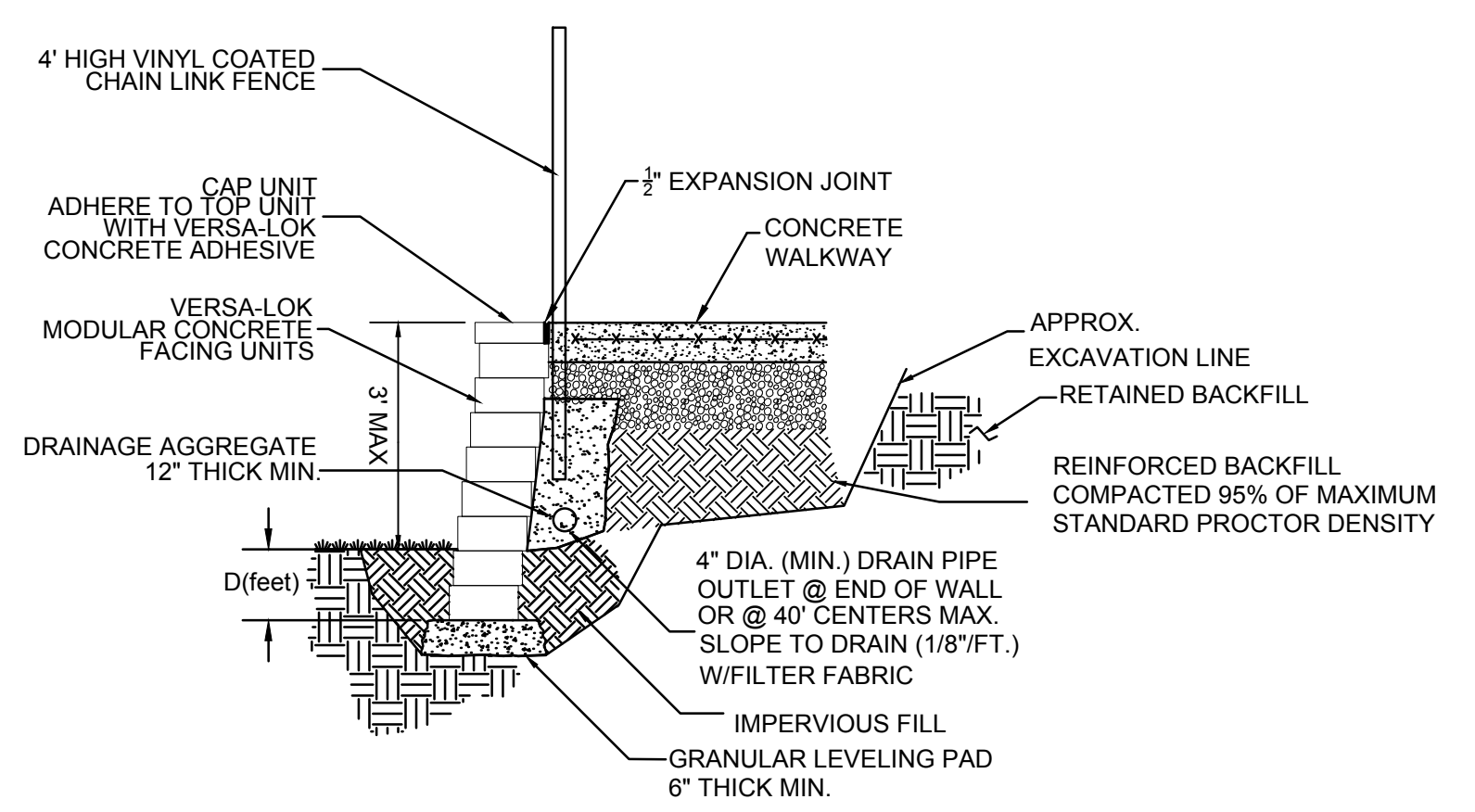
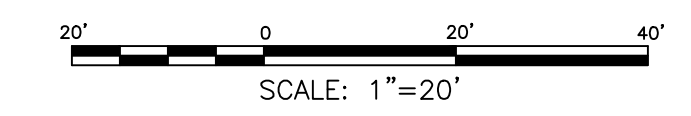
**RIPRAP LINED DRAINAGE SWALE**  
NOT TO SCALE



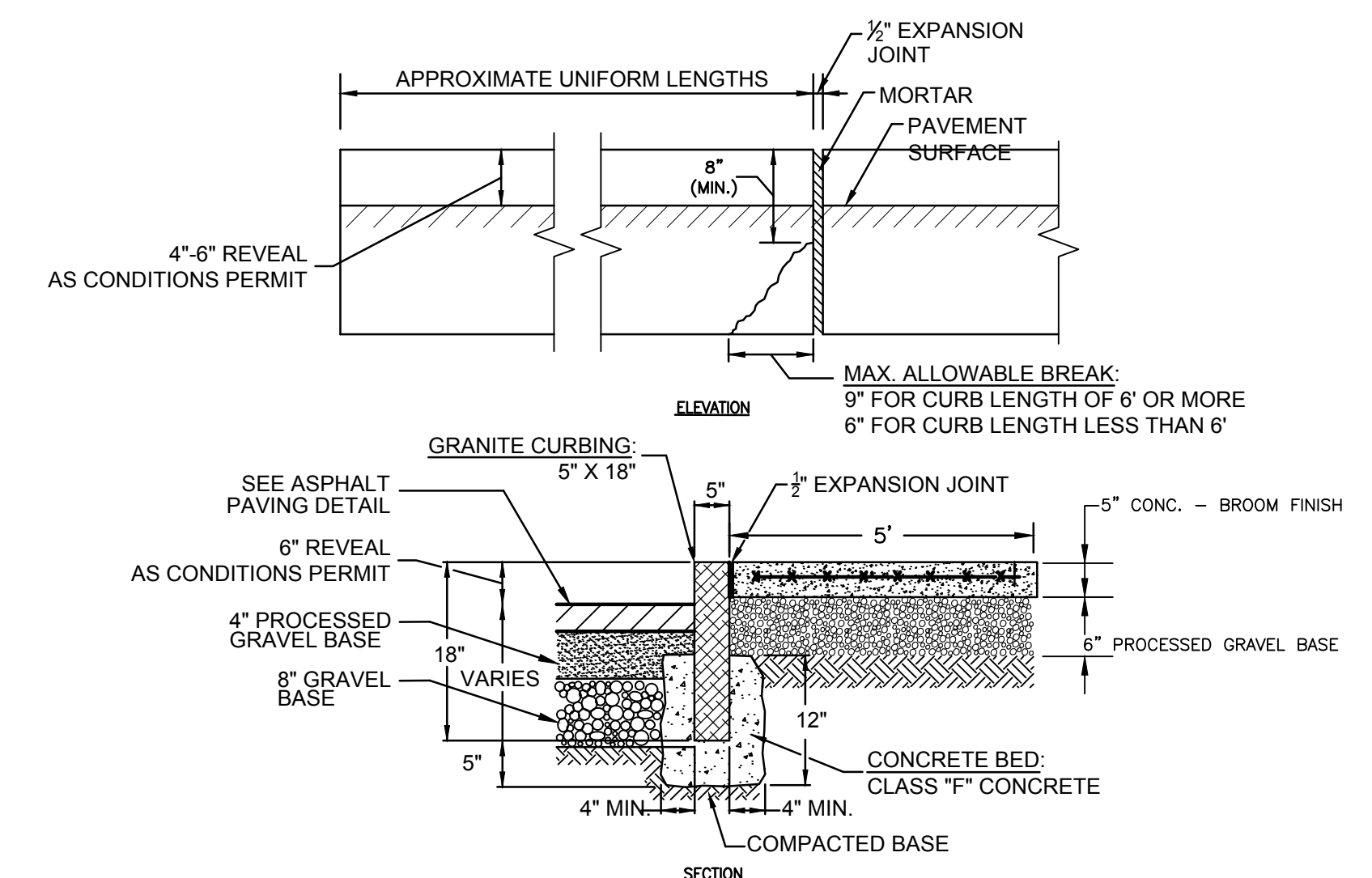
**INFILTRATION POND CROSSSECTION**  
NOT TO SCALE



**INFILTRATION/RECHARGE TRENCH CROSSSECTION**  
NOT TO SCALE



**VERSA-LOK**  
**TYPICAL SECTION-REINFORCED RETAINING WALL**  
MODULAR CONCRETE UNIT  
NOT TO SCALE



**GRANITE CURBING DETAIL**  
NOT TO SCALE

1 02-13-19 CITY ENGINEERS COMMENTS No. DATE REVISION		<b>CLA Engineers, Inc.</b> CIVIL • STRUCTURAL • SURVEYING 317 Main Street Norwich, CT 06360 (860) 886-1966 Fax (860) 886-9165	Project No. CLA-6132
			Proj. Engineer X.X.X
CITY OF NORWICH <b>YANTIC STREET PARKING AREA</b>		317 Main Street Norwich, CT 06360 (860) 886-1966 Fax (860) 886-9165	Date: 06/29/18
			Sheet No. <b>2</b>