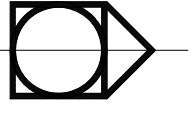




COMMUNITY RENEWAL TEAM

555 Windsor
Hartford, CT 06120



LIFECARE DESIGN INC.

1429 Park St, Ste 201
Hartford Ct, 06106

architecture - planning - interior design

CRT OFFICE RENOVATIONS

1921 Park St.
Hartford, CT 06106

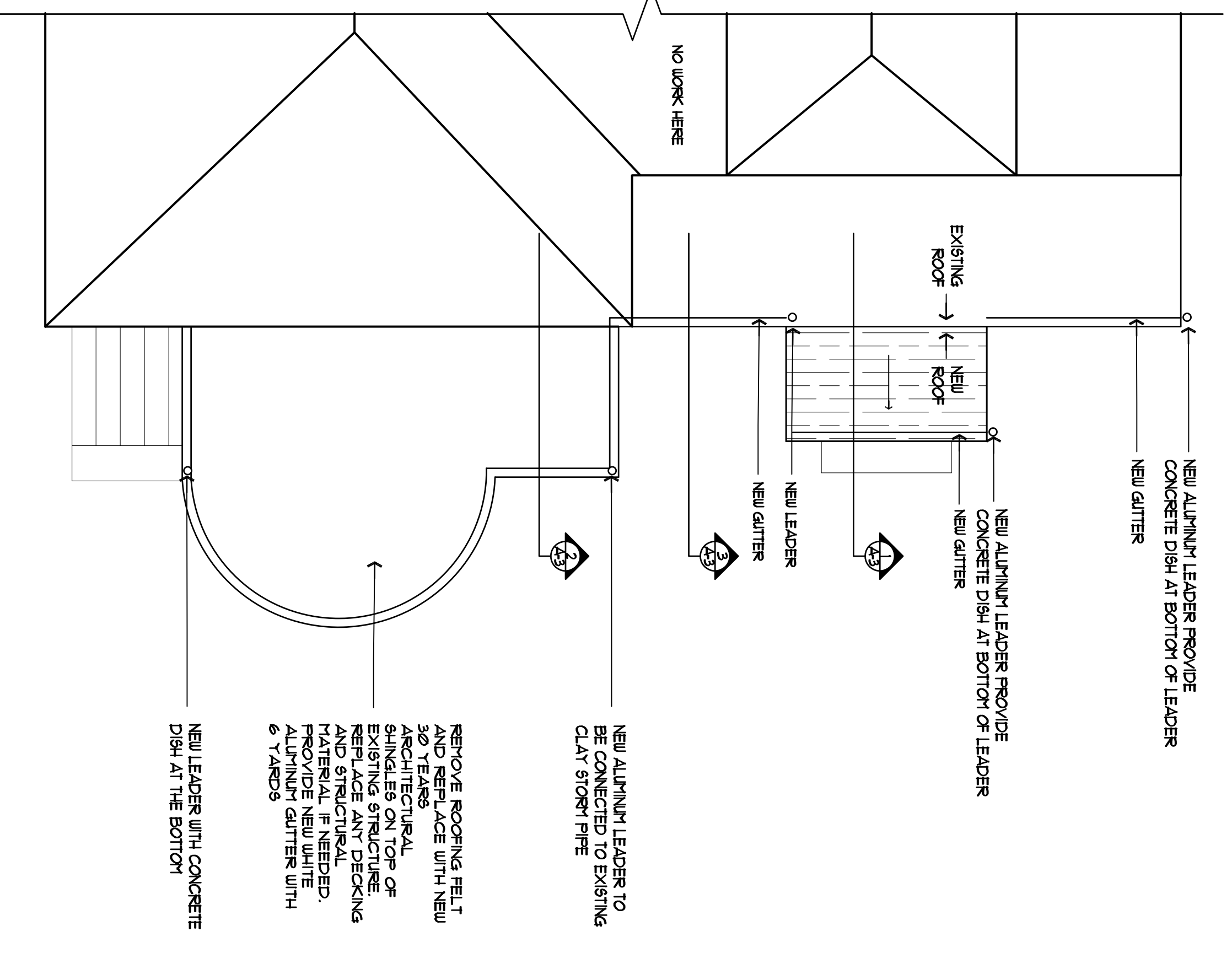


issue or revision	date

ROOF PLAN, DOOR SCHEDULE AND DETAILS

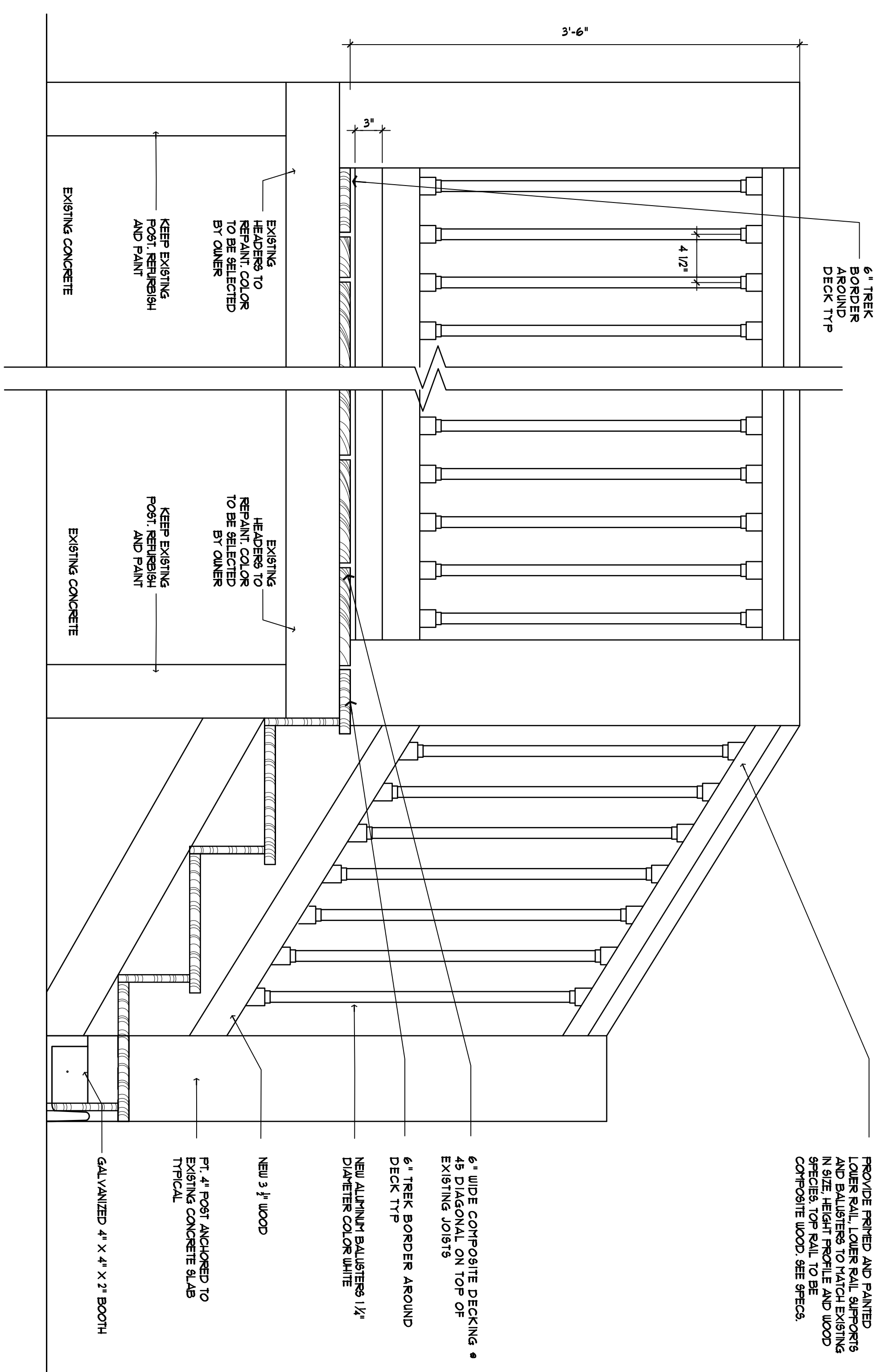
drawing title	
scale	as indicated
designer	h.c.b.
project no.	19715
drawn by	e.s.
date	7/17/19
checked by	h.c.b.
sheet number	A - 3
sheet	5 of 5

THIS DOCUMENT SHALL NOT BE MODIFIED IN ANYWAY BY ANY PERSON UNLESS ACTING UNDER THE DIRECTION OF A REGISTERED ARCHITECT EVERY DRAWING SEALED AND SIGNED BY A REGISTERED ARCHITECT COULD BE MODIFIED ONLY BY A REGISTERED ARCHITECT AND THE NATURE OF SUCH MODIFICATION DESCRIBED SHALL BE FOLLOWED BY THE DATE OF MODIFICATION PLUS THE SEAL AND SIGNATURE OF THE ARCHITECT MAKING SUCH MODIFICATION.



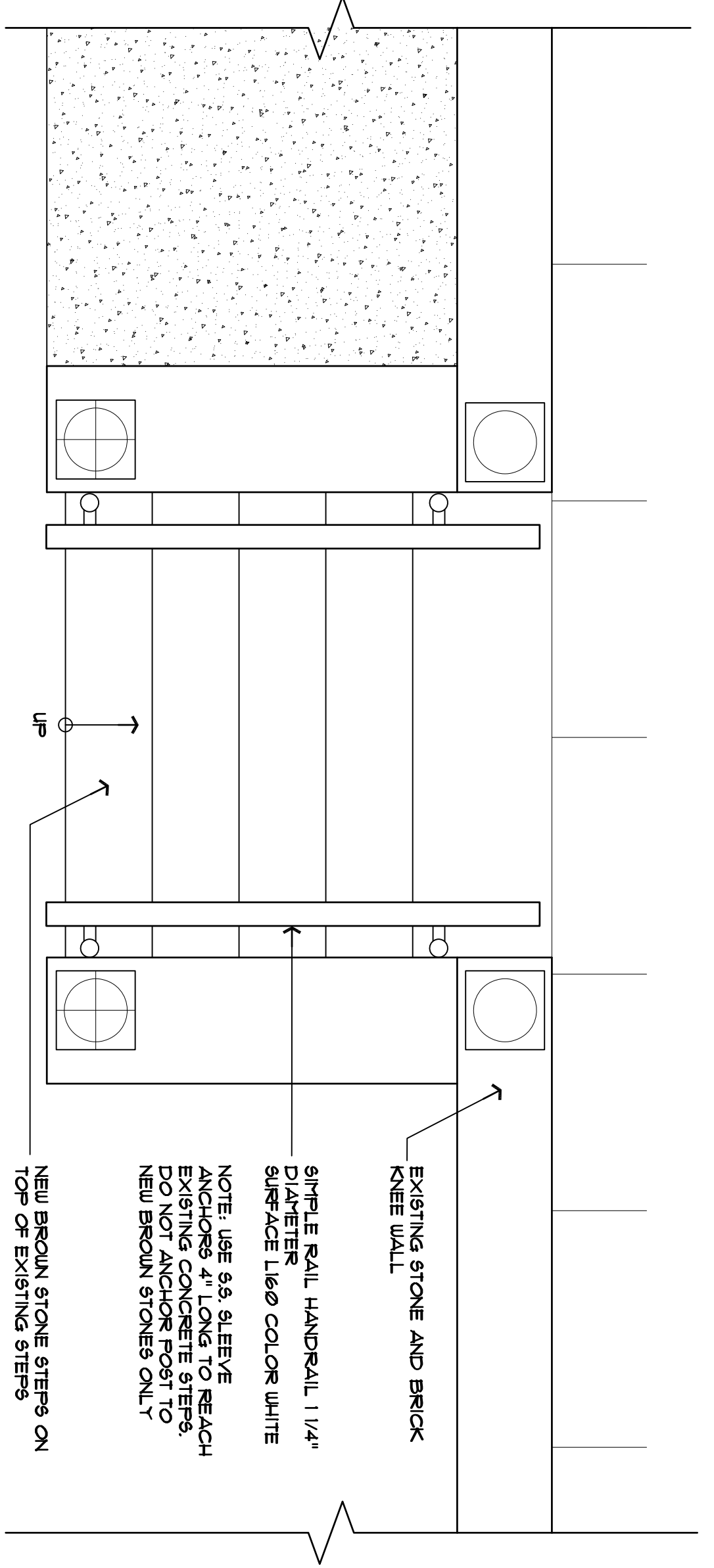
① LOCATION OF ROOF REPAIRS

SCALE: 1/4"=1'-0"



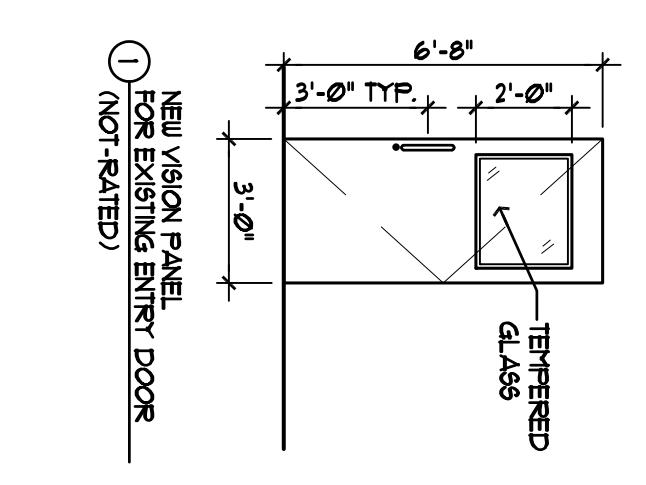
② HANDRAIL DETAIL - ELEVATION (EGRESS DOOR)

SCALE: 3/4"=1'-0"



④ HANDRAIL DETAIL (MAIN ENTRANCE)

SCALE: 3/4"=1'-0"



- NOTE
- KEEP PANIC BAR INSIDE
 - INSTALL TEMPERED SECURITY GLASS
 - REMOVE ANY RUST OR DEFECTIVE CONDITION. REFURBISH DOOR AND FRAME AS NEEDED
 - GRIND AND PREP DOOR BEFORE PAINTING
- DOOR TO HAVE:
- ALUMINUM HANDRAIL AND ALUMINUM PARALLEL ARM DOOR CLOSER
 - ALUMINUM KE-3900 MASTER STATION
 - ALUMINUM DECK STAND FOR KE-3900, AX-81V, AX-81V-UL OR AX-81V MASTER STATIONS
 - ALUMINUM KE-3-DAR DOOR STATION
 - ALUMINUM KE-3-DAR STAINLESS STEEL HOUSING
 - ALUMINUM KE-3-DAR MASTER
 - ALUMINUM KE-3-DAR RELEASE
 - VON DUPREN 63002-EB 024VDC ELECTRIC STRIKE WITH ENTRY BUZZER
 - KEP L-PR4-100 6"x11" VISION KIT WITH 1/2" POCKET
 - 565 1/2" 565 TEMPERED SECURITY GLASS
 - KEP 60/A 36" BRUSHED NITLON DOOR SLEEP

③ DOOR SCHEDULE & SECURITY SYSTEM

SCALE: 1/4"=1'-0"