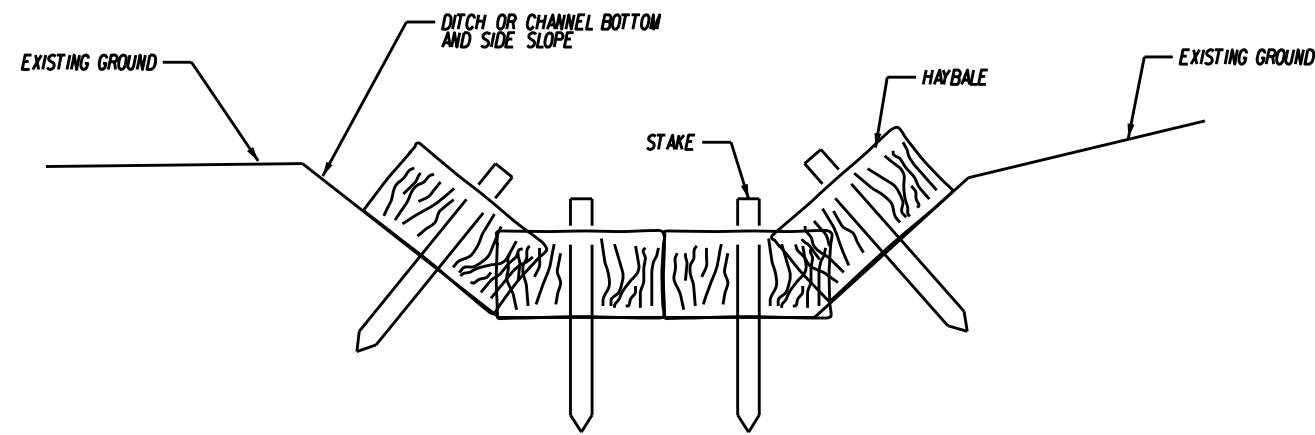
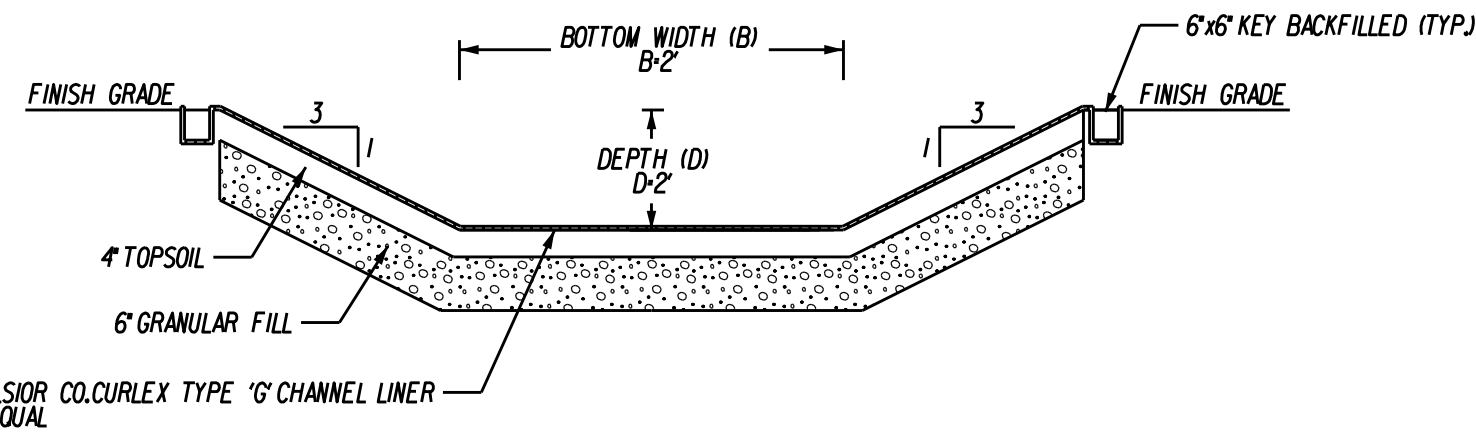


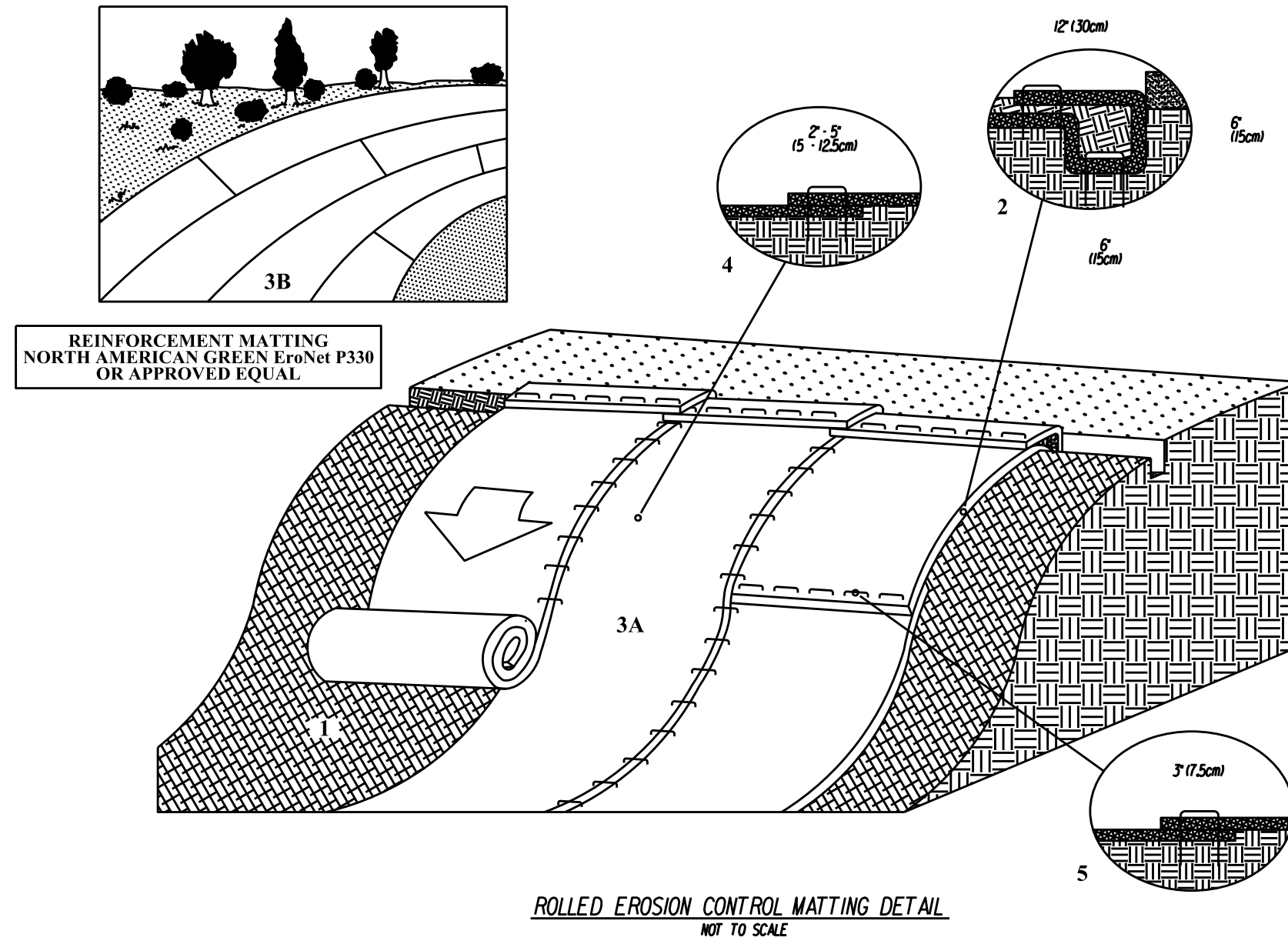
TYPICAL DRIVEWAY CROSS SECTION
NOT TO SCALE



PLACEMENT AND CONSTRUCTION OF A
HAYBALE BARRIER IN A DITCH, CHANNEL, OR INTERMITTENT WATERCOURSE
NOT TO SCALE



DITCH W/ STRAW NET LINER
NOT TO SCALE



ROLLED EROSION CONTROL MATTING DETAIL
NOT TO SCALE

1. PREPARE SOIL BEFORE INSTALLING ROLLED EROSION CONTROL PRODUCTS (RECPs) INCLUDING ANY NECESSARY APPLICATION OF LIME, FERTILIZER, AND SEED.
2. BEGIN AT THE TOP OF THE SLOPE BY ANCHORING THE RECPs IN A 6" (15cm) DEEP x 6" (15cm) WIDE TRENCH WITH APPROXIMATELY 12" (30cm) RECPs EXTENDED BEYOND THE UP-SLOPE PORTION OF THE TRENCH. ANCHOR THE RECPs WITH A ROW OF STAPLES/STAKES APPROXIMATELY 12" (30cm) APART IN THE BOTTOM OF THE TRENCH. BACKFILL AND COMPACT THE TRENCH AFTER STAPLING. APPLY SEED TO THE COMPACTED SOIL AND FILL THE REMAINING 12" (30cm) PORTION OF RECPs BACK OVER THE SEED AND COMPACTED SOIL. SECURE RECPs OVER COMPACTED SOIL WITH A ROW OF STAPLES/STAKES SPACED APPROXIMATELY 12" (30cm) APART ACROSS THE WIDTH OF THE RECPs.
3. ROLL THE RECPs (A) DOWN OR (B) HORIZONTALLY ACROSS THE SLOPE. RECPs WILL UNROLL WITH APPROPRIATE SIDE AGAINST THE SOIL SURFACE. ALL RECPs MUST BE SECURELY FASTENED TO SOIL SURFACE BY PLACING STAPLES/STAKES IN APPROPRIATE LOCATIONS AS SHOWN IN THE STAPLE PATTERN GUIDE.
4. THE EDGES OF PARALLEL RECPs MUST BE STAPLED WITH APPROXIMATELY 2" - 5" (5 - 12.5cm) OVERLAP DEPENDING ON THE RECPs TYPE.
5. CONSECUTIVE RECPs SPICED DOWN THE SLOPE MUST BE END OVER END (SHINGLE STYLE) WITH AN APPROXIMATE 3" (7.5cm) OVERLAP STAPLE THROUGH OVERLAPPED AREA APPROXIMATELY 12" (30cm) APART ACROSS ENTIRE RECPs WIDTH.

*NOTE: IN LOOSE SOIL CONDITIONS, THE USE OF STAPLE OR STAKE LENGTHS GREATER THAN 6" (15cm) MAY BE NECESSARY TO PROPERLY SECURE THE RECPs.

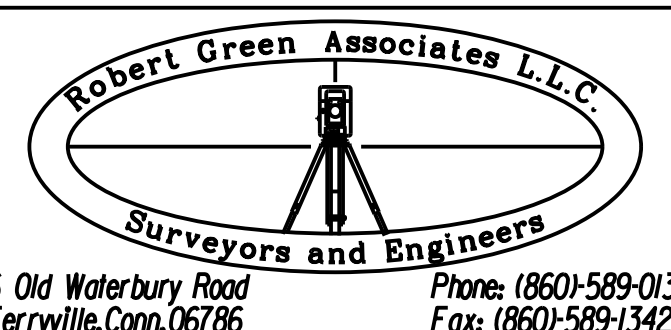
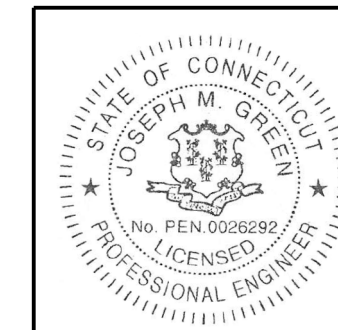
ZONING LOCATION SURVEY
PLOT PLAN FOR DRIVEWAY & ACCESSIBILITY LAYOUT
ASSESSORS MAP I-00 LOT 37
PREPARED FOR
KIMBERLY SEMAN
351 LAKE SHORE DRIVE
MIDDLEBURY, CONNECTICUT
FEBRUARY 18, 2019

TO MY KNOWLEDGE AND BELIEF, THIS MAP IS SUBSTANTIALLY CORRECT AS NOTED HEREON.

Joseph M. Green

JOSEPH M. GREEN P.E.
REG. NO. 0026292

SHEET 3 OF 3



6 Old Waterbury Road
Terryville, Conn. 06786
Phone: (860)-589-0135
Fax: (860)-589-1342