

Invitation to Bid #19PSX0131

POLE LINE HARDWARE

Contract Specialist: **Janet DelGreco Olson**

Date Issued: **13 June 2019**

Due Date: **25 June 2019 at 2:00 PM Eastern Time**

**Department of Administrative Services
Procurement Division**



TABLE OF CONTENTS

GUIDE TO ELECTRONIC BID SUBMISSIONS _____ **3**

OVERVIEW _____ **5**

INSTRUCTIONS TO BIDDERS _____ **6**

BID REQUIREMENTS _____ **7**

AWARD CRITERIA _____ **9**

Invitation to Bid (“ITB”)

POLE LINE HARDWARE

Guide to Electronic Bid Submissions

1. Introduction To BizNet

It is now a requirement of Department of Administrative Services (“DAS”)/Procurement Division that all companies create a Business Network (BizNet) account and add their company profiles to the State of Connecticut BizNet system. Companies are responsible for maintaining and updating company information in their BizNet accounts as updates occur. Companies that have been certified through the Supplier Diversity or the Pre-Qualification Program, have already created a BizNet account.

The BizNet login is: <https://www.biznet.ct.gov/AccountMaint/Login.aspx>

New Companies: Create an account by clicking the BizNet login link above and then the button on the right labeled “Create New Account”. Login and select “Doing Business with the State” and “Company Information”. Please be sure to complete information in all tabs (Company Information, Accounts, Address, etc.).

Existing Companies Needing to Update Their Information: Login to BizNet and select “Doing Business with the State” and “Company Information”.

Anyone having difficulty connecting to their account or downloading or uploading forms should call DAS/Procurement Division at 860-713-5095.

2. Business Friendly Legislation

As a result of Public Act 11-229, DAS/Procurement Division’s goal is to make doing business with the State of Connecticut more business friendly. To eliminate redundancy, forms that were repetitively filled out with each ITB are being automated in BizNet.

DAS/Procurement Division began the transition to on-line bidding by automating the submission of affidavits and non-discrimination forms on October 1, 2011. Companies must submit forms electronically to their BizNet account if they haven’t already done so. These forms must be updated on an annual basis, no later than thirty (30) days after the effective date of any material change. Rather than completing them with each bid submittal, companies that have already filed these forms have the ability to view, verify and update their information prior to submitting a bid response.

Instructions for Uploading Affidavits and Non-Discrimination Forms:

Click on the following link for instructions on how to upload Affidavits and Non-Discrimination forms:

<http://das.ct.gov/images/1090/Upload%20Instructions.pdf>

(a) AFFIDAVITS

THE FOLLOWING FORMS MUST BE SIGNED, DATED, NOTARIZED, UPLOADED OR UPDATED ON BIZNET. TO OBTAIN A COPY OF THESE FORMS, YOU MUST LOGIN INTO BIZNET AND FOLLOW THE INSTRUCTIONS LISTED ABOVE.

- (1) OPM Ethics Form 1 – Gift & Campaign Contribution Certification
- (2) OPM Ethics Form 5 – Consulting Agreement Affidavit
- (3) OPM Ethics Form 6 – Affirmation of Receipt of State Ethics Laws Summary
- (4) OPM Form 7 – Iran Certification

For information regarding these forms, please access the Office of Policy & Management’s (“OPM”) website by clicking on the following link: <http://www.ct.gov/opm/cwp/view.asp?a=2982&q=386038>

(b) NON-DISCRIMINATION

CHOOSE ONE (1) FORM THAT APPLIES TO YOUR BUSINESS. COMPLETE AND UPLOAD OR UPDATE ON BIZNET ANNUALLY. TO OBTAIN A COPY OF THESE FORMS, YOU MUST LOGIN INTO BIZNET AND FOLLOW THE INSTRUCTIONS LISTED ABOVE.

- (1) Form A – Representation by Individual (Regardless of Value)
- (2) Form B – Representation by Entity (Valued at \$50,000 or less)
- (3) **Form C – Affidavit by Entity (RECOMMENDED)** (Valued at \$50,000 or more)
- (4) Form D – New Resolution by Entity
- (5) Form E – Prior Resolution by Entity

For information regarding these forms and on which form your company should complete, please access the OPM’s website by clicking following link: http://www.ct.gov/opm/cwp/view.asp?a=2982&q=390928&opmNav_GID=1806

3. Online Bid Responses

Any ITB posted by DAS/Procurement Division must be submitted electronically. The common forms listed below have also been automated in the BizNet system. In addition, specific forms are now web based and fillable, as noted below. To complete forms; download them from your BizNet account, complete your submittal response, and then upload these completed documents (as well as any other required submittal documents) through BizNet prior to the date and time upon which the Bid is due pursuant to this ITB. Late submissions will not be accepted. All bid responses submitted must be e-signed. Bid responses that are not e-signed are not received by DAS/Procurement Division and cannot be viewed or considered. If any required documents have not been uploaded, the system will not allow you to e-sign. After successful e-signature, Bidders will get a confirmation that their bid has been successfully submitted. If you do not receive this electronic confirmation, please contact DAS/Procurement Division at 860-713-5095. Bid pricing will be available for public viewing for twenty four (24) hours after bid closing.

- Contractor Information/Electronic Signature Page – Web Based fillable Form
- Employment Information Form (DAS-45) – Web Based fillable Form
- Statement of Qualifications (DAS-14) – PDF Fillable Form

- Connecticut Economic Impact Form (DAS-46) – Web Based fillable Form
- Contract Exhibit B – Price Schedule
- Bid Addendum (SP-18) – if applicable

Additional forms such as those listed below must be reviewed carefully and accepted by the bidder prior to bid submittal:

- Standard Terms and Conditions (SP-19)
- Invitation to Bid Document (SP-22)
- Invitation to Bid Contract (SP-50)
- Contract Exhibit A – Description of Goods & Services and Additional Terms & Conditions
- Attachment A - Drawings
- Contract Exhibit C – Notice to Executive Branch State Contractors and Prospective State Contractors of Campaign Contribution and Solicitations Limitations

4. Insurance Accord Certificates

Contractors are responsible for maintaining their BizNet account with new and/or updated insurance information.

The following documentation will need to be uploaded to each company’s BizNet account and evidencing that the State of Connecticut is an additional insured:

- (a) Certificate of Insurance (Accord Form)
- (b) The insurance policy declaration page
- (c) The additional insured endorsement to the policy

Training documentation relating to the completion of the above-reference forms is available through the DAS Website under “DAS Business Friendly Initiatives” at the following website: [http://portal.ct.gov/DAS/Search-Results?SearchKeyword=insurance instructions](http://portal.ct.gov/DAS/Search-Results?SearchKeyword=insurance%20instructions)

Bidders are cautioned that there may be additional documents, attachments or requirements depending on the complexity of the bid. Please read ALL bid documents carefully and provide all required information. Failure to do so may result in rejection of your bid.

Overview

The State of Connecticut DAS is soliciting bids for Pole Line Hardware for the Connecticut Department of Transportation (“ConnDOT”).

As this is a bid, there are no negotiations. Terms and conditions cannot be changed and pricing shall be listed as specified only – no additional charges are permitted.

The contract resulting from this ITB replaces the following contract award(s) in part or in total: 15PSX0076. Click on the following link to view contract award: https://biznet.ct.gov/SCP_Documents/Results/15657/15PSX0076S5.pdf

Instructions to Bidders

1. Bid Schedule

RELEASE OF ITB:	Date:	13 June 2019
RECEIPT OF QUESTIONS:	Date:	17 June 2019
ANSWERS TO QUESTIONS POSTED AS ADDENDUM:	Date:	18 June 2019
BID DUE DATE:	Date:	25 June 2019 at 2:00 PM Eastern Time

2. Pre-Bid Meeting Requirements:

This bid contains no pre-bid meeting requirements.

3. Questions:

Questions for the purpose of clarifying this ITB must be received no later than the date and time specified in Section I, "Bid Schedule" and must be directed to the Contract Specialist, Janet DelGreco Olson via email: janet.delgreco@ct.gov.

4. Communications

During the period from your organization's receipt of this ITB, and until a contract is awarded, your organization shall not contact any employee of the State of Connecticut concerning this procurement except in writing directed to the Contract Specialist, Janet DelGreco Olson via email: janet.delgreco@ct.gov.

5. Public Bid Opening

Public bid openings are now conducted online. Bid pricing submitted will be available for public view through your BizNet account and is available for twenty four (24) hours after the bid due date and time.

How to View Bid Results:

-Go to the DAS/Procurement Division website: http://www.biznet.ct.gov/SCP_Search/Default.aspx?Acclast=2

-Click on the heading "Current Solicitations"

-Click radio button "Under Evaluation"

-Search for the bid **(19PSX0131)**

-Click on "Public Opening" under the bid due date and time

Bid Requirements

1. Quantities and/or Usages

Any quantities set forth in this ITB are estimated quantities and/or usages only and in no way represent a commitment and/or intent to purchase any particular amount. Actual quantities may vary and will be identified on individual purchase orders issued by the Client Agency.

2. Brand Name Specifications and/or References

The use of the name of a manufacturer or of any particular make, model or brand in describing an item does not restrict bidders to that manufacturer or specific article unless limited by the term "no substitute". However, the article being offered must be of such character and quality so that it will serve the purpose for which it is to be used equally as well as that specified, and the bidder shall warrant to the State that it is fit for that purpose. Bids on comparable items must clearly state the exact article being offered including any and all applicable options and the bidder shall furnish such other information concerning the article being offered as will be helpful in evaluating its acceptability for the purpose intended. If the bidder does not indicate that the article offered is other than as specified, it will be understood that the bidder is offering the article exactly as specified. Bidders must submit complete documentation on the specifications and quality levels of the proposed products. Bids submitted that do not contain this documentation are subject to rejection.

3. Lowest Responsible Qualified Bidder; Micro Business Preference

The contract resulting from this ITB will be awarded to the lowest responsible qualified bidder. The qualities of articles to be supplied, their conformity with the needed specifications, their suitability to the requirements of the State government and the delivery terms will be taken into consideration, and the life-cycle costs and trade-in or resale value of the articles may be considered where it appears to be in the best interest of the State. In determining the lowest responsible qualified bidder, a price preference of up to ten per cent (10%) may be given for the purchase of the goods or services from micro businesses, or up to fifteen per cent (15%) in the case of "veteran-owned" (as described below) micro businesses. Micro business means a business with gross revenues not exceeding three million dollars (\$3,000,000) in the most recently completed fiscal year.

To be considered for the ten percent (10%) price preference, bidders must submit prior to the bid due date a copy of their Internal Revenue Service tax return form for the most recently completed fiscal year, confirming the amount of their gross revenues for that fiscal year. Failure to provide such tax return prior to the bid due date will deny bidder consideration for the ten per cent (10%) price preference. For bidders who have not yet filed their tax return for the most recently completed fiscal year, in lieu of a tax return, a letter from a certified public accountant attesting to the bidder's gross estimated revenues for the most recently completed fiscal year will be accepted.

To be considered for the fifteen per cent (15%) price preference, bidders must submit prior to the bid due date a copy of their current certification from the Connecticut State Department of Veteran Affairs as to both "veteran-owned" and "micro business" status. "Veteran-owned" micro business means a micro business of which at least fifty-one per cent (51%) of the ownership is held by one or more "veterans" of the "armed forces." In accordance with Section 27-103(a) of the Connecticut General Statutes ("CGS") "veterans" means any person honorably discharged, or released under honorable conditions, from active service in the armed forces and "armed forces"

means the United States Army, Navy, Marine Corps, Coast Guard and Air Force and any reserve component thereof, including the Connecticut National Guard. Interested bidders may obtain the certification application by visiting: www.ct.gov/ctva and selecting "Veteran Owned Micro Business" option. Failure to provide such certification prior to the bid due date will deny bidder consideration for this price preference.

4. Stability of Bid Prices

Any price offerings from bidders must be valid for a period of sixty (60) days from the due date of the bid.

5. Amendment or Cancellation of the ITB

DAS reserves the right to cancel, amend, modify or otherwise change this ITB at any time if it deems it to be in the best interest of the State to do so.

6. Bid Modifications

No additions or changes to any bid will be allowed after the bid due date, unless such modification is specifically requested by DAS. DAS, at its option, may seek bidder retraction and/or clarification of any discrepancy or contradiction found during its review of bids.

7. Bidder Presentation of Supporting Evidence

Bidders must be prepared to provide any evidence of experience, performance, ability, and/or financial surety that DAS deems to be necessary or appropriate to fully establish the performance capabilities represented in their bids.

8. Bidder Demonstration of Services and/or Products

At the discretion of DAS, bidders must be able to confirm their ability to provide all services bid. Any required confirmation must be provided at a site approved by DAS.

9. Erroneous Awards

DAS reserves the right to correct inaccurate awards.

10. Bid Expenses

Bidders are responsible for all costs and expenses incurred in the preparation of bids and for any subsequent work on the bid that is required by DAS.

11. Ownership of Bids

All bids shall become the sole property of the State and will not be returned.

12. Ownership of Subsequent Products

Any product, whether acceptable or unacceptable, developed under a contract awarded as a result of this ITB shall be the sole property of the State unless otherwise stated in the contract.

13. Oral Agreement or Arrangements

Any alleged oral agreements or arrangements made by bidders with any State agency or employee will be disregarded in any State bid evaluation or associated award.

Award Criteria

Pursuant to CGS 4a-59 and DAS Procurement Regulations 4a-52-8 and 4a-52-18, the award shall be made to the lowest, responsible qualified bidder. The following factors, in descending order of relative importance, will be considered in the evaluation to determine the lowest, responsible qualified bidder:

- (a) Pricing
- (b) The conformity of the supplies, materials, equipment or contractual services to the specifications
- (c) Bidder's past performance
- (d) Bidder's financial responsibility
- (e) Delivery Terms
- (f) The administrative costs of the State
- (g) Life-cycle costs, trade-in or resale value of the supplies, materials or equipment
- (h) List additional criteria, if required.

DAS may award by individual item, group of items, or the entirety of all items. DAS may also reject any and all bids in whole or in part, and waive minor irregularities and omissions if, in the judgment of DAS, the best interest of the State will be served.

CONTRACT #19PSX0131

Between

THE STATE OF CONNECTICUT

Acting by its

DEPARTMENT OF ADMINISTRATIVE SERVICES

AND

Awarded Contractor

POLE LINE HARDWARE

Contract # 19PSX0131

Contract Document

SP-50 Rev. 5/14/19

Prev. Rev. 11/21/18

Contract Table of Contents

1. Definitions	35. Whistleblowing
2. Term of Contract; Contract Extension	36. Notice
3. Description of Goods and Services	37. Insurance
4. Price Schedule, Payment Terms and Billing, and Price Adjustments	38. Headings
5. Rejected Items; Abandonment	39. Number and Gender
6. Order and Delivery	40. Parties
7. Contract Amendments	41. Contractor Changes
8. Assignment	42. Further Assurances
9. Termination	43. Audit and Inspection of Plants, Places of Business and Records
10. Cost Modifications	44. Background Checks
11. Breach	45. Continued Performance
12. Waiver	46. Working and Labor Synergies
13. Open Market Purchases	47. Contractor Responsibility
14. Purchase Orders	48. Severability
15. Indemnification	49. Confidential Information
16. Forum and Choice of Law	50. References to Statutes, Public Acts, Regulations, Codes and Executive Orders
17. Contractor Guaranties	51. Cross-Default
18. Implied Warranties	52. Disclosure of Records
19. Goods, Standards and Appurtenances	53. Summary of State Ethics Laws
20. Delivery	54. Sovereign Immunity
21. Goods Inspection	55. Time of the Essence
22. Emergency Standby for Goods and/or Services	56. Reserved
23. Setoff	57. Campaign Contribution Restriction
24. Force Majeure	58. Reserved
25. Advertising	59. Protection of Confidential Information
26. Americans With Disabilities Act	60. Antitrust
27. Representations and Warranties	61. Reserved
28. Representations and Warranties Concerning Motor Vehicles	EXHIBIT A - Description of Goods & Services and Additional Terms and Conditions
29. Disclosure of Contractor Parties Litigation	ATTACHMENT 1 - Drawings
30. Entirety of Contract	EXHIBIT B - Price Schedule
31. Exhibits	EXHIBIT C - Notice to Executive Branch State Contractors and Prospective State Contractors of Campaign Contribution and Solicitation Limitations
32. Executive Orders	
33. Non-Discrimination	
34. Tangible Personal Property	

Contract # 19PSX0131

Contract Document

SP-50 Rev. 5/14/19

Prev. Rev. 11/21/18

This Contract (the "Contract") is made as of the Effective Date shown on the contract award form, number SP-38 corresponding to the subject procurement and is by and between, the contractor identified on such Form SP-38 (the "Contractor,") which is attached and shall be considered a part of this Contract, with a principal place of business as indicated on the signature page form, number SP-26, acting by the duly authorized representative as indicated on the SP-26, and the State of Connecticut, Department of Administrative Services ("DAS"), with a principal place of business at 450 Columbus Boulevard, Hartford, Connecticut 06103, acting by Janet DelGreco Olson, its Contract Specialist, in accordance with Sections 4a-2 and 4a-51 of the Connecticut General Statutes.

Now therefore, in consideration of these presents, and for other good and valuable consideration, the receipt and sufficiency of which the parties acknowledge, the Contractor and the State agree as follows:

1. Definitions. Unless otherwise indicated, the following terms shall have the following corresponding definitions:
 - (a) Bid: A submittal in response to an Invitation to Bid.
 - (b) Claims: All actions, suits, claims, demands, investigations and proceedings of any kind, open, pending or threatened, whether mature, unmaturred, contingent, known or unknown, at law or in equity, in any forum.
 - (c) Client Agency: The Connecticut Department of Transportation ("ConnDOT") and any department, commission, board, bureau, agency, institution, public authority, office, council, association, instrumentality or political subdivision of the State of Connecticut, as applicable, who is authorized and chooses to make purchases under, and pursuant to the terms and conditions of, this Contract.
 - (d) Confidential Information: This shall mean any name, number or other information that may be used, alone or in conjunction with any other information, to identify a specific individual including, but not limited to, such individual's name, date of birth, mother's maiden name, motor vehicle operator's license number, Social Security number, employee identification number, employer or taxpayer identification number, alien registration number, government passport number, health insurance identification number, demand deposit account number, savings account number, credit card number, debit card number or unique biometric data such as fingerprint, voice print, retina or iris image, or other unique physical representation. Without limiting the foregoing, Confidential Information shall also include any information that the Client Agency or DAS classifies as "confidential" or "restricted." Confidential Information shall not include information that may be lawfully obtained from publicly available sources or from federal, state, or local government records which are lawfully made available to the general public.
 - (e) Confidential Information Breach: This shall mean, generally, an instance where an unauthorized person or entity accesses Confidential Information in any manner, including but not limited to the following occurrences: (1) any Confidential Information that is not encrypted or protected is misplaced, lost, stolen or in any way compromised; (2) one or more third parties have had access to or taken control or possession of any Confidential Information that is not encrypted or protected without prior written authorization from the State; (3) the unauthorized acquisition of encrypted or protected Confidential Information together with the confidential process or key that is capable of compromising the integrity

Contract # 19PSX0131

Contract Document

SP-50 Rev. 5/14/19

Prev. Rev. 11/21/18

of the Confidential Information; or (4) if there is a substantial risk of identity theft or fraud to the Client Agency, the Contractor, DAS or State.

- (f) Contract: The agreement, as of its Effective Date, between the Contractor and the State for any or all Goods or Services at the Bid price.
- (g) Contractor: A person or entity who submits a Bid and who executes a Contract.
- (h) Contractor Parties: A Contractor's members, directors, officers, shareholders, partners, managers, principal officers, representatives, agents, servants, consultants, employees or any one of them or any other person or entity with whom the Contractor is in privity of oral or written contract and the Contractor intends for such other person or entity to Perform under the Contract in any capacity.
- (i) Day: All calendar days other than Saturdays, Sundays and days designated as national or State of Connecticut holidays upon which banks in Connecticut are closed.
- (j) Force Majeure: Events that materially affect the cost of the Goods or Services or the time schedule within which to Perform and are outside the control of the party asserting that such an event has occurred, including, but not limited to, labor troubles unrelated to the Contractor, failure of or inadequate permanent power, unavoidable casualties, fire not caused by the Contractor, extraordinary weather conditions, disasters, riots, acts of God, insurrection or war.
- (k) Goods: For purposes of the Contract, all things which are movable at the time that the Contract is effective and which include, without limiting this definition, supplies, materials and equipment, as specified in the Invitation to Bid and set forth in Exhibit A and Attachment 1.
- (l) Goods or Services: Goods, Services or both, as specified in the Invitation to Bid and set forth in Exhibit A and Attachment 1.
- (m) Invitation to Bid: A State request inviting bids for Goods or Services. This Contract shall be governed by the statutes, regulations and procedures of the State of Connecticut, Department of Administrative Services.
- (n) Records: All working papers and such other information and materials as may have been accumulated by the Contractor in performing the Contract, including but not limited to, documents, data, plans, books, computations, drawings, specifications, notes, reports, records, estimates, summaries and correspondence, kept or stored in any form.
- (o) Services: The performance of labor or work, as specified in the Invitation to Bid and set forth in Exhibit A and Attachment 1.
- (p) State: The State of Connecticut, including DAS, the Client Agency and any office, department, board, council, commission, institution or other agency of the State.
- (q) Termination: An end to the Contract prior to the end of its term whether effected pursuant to a right which the Contract creates or for a breach.
- (r) Title: all ownership, title, licenses, rights and interest, including, but not limited to, perpetual use, of and to the Goods or Services.

Contract # 19PSX0131

Contract Document

SP-50 Rev. 5/14/19

Prev. Rev. 11/21/18

2. Term of Contract; Contract Extension. The Contract will be in effect from July 1, 2019 through June 30, 2023. DAS, in its sole discretion, may extend this Contract for additional terms beyond the original term, prior to Termination or expiration, one or more times for a combined total period not to exceed the complete length of the original term.
3. Description of Goods or Services and Additional Terms and Conditions. The Contractor shall perform as set forth in Exhibit A and Attachment 1. For purposes of this Contract, to perform and the performance in Exhibit A and Attachment 1 is referred to as "Perform" and the "Performance."
4. Price Schedule, Payment Terms and Billing, and Price Adjustments.
 - (a) Price Schedule: Price Schedule under this Contract is set forth in Exhibit B.
 - (b) Payment Terms and Billing:
 - (1) Payment shall be made only after the Client Agency receives and accepts the Goods or Services and after it receives a properly completed invoice. Unless otherwise specified in the Contract, payment for all accepted Goods or Services shall be due within forty-five (45) days after acceptance of the Goods or Services, or thirty (30) days if the Contractor is a certified small contractor or minority business enterprise as defined in Conn. Gen. Stat. § 4a-60g. The Contractor shall submit an invoice to the Client Agency for the Performance. The invoice shall include detailed information for Goods or Services, delivered and Performed, as applicable, and accepted. Any late payment charges shall be calculated in accordance with the Connecticut General Statutes.
 - (2) THE STATE SHALL MAKE ALL PAYMENTS TO THE CONTRACTOR THROUGH ELECTRONIC FUNDS TRANSFER VIA THE AUTOMATED CLEARING HOUSE ("ACH"). CONTRACTOR SHALL ENROLL IN ACH THROUGH THE OFFICE OF THE STATE COMPTROLLER PRIOR TO SENDING ANY INVOICE TO THE STATE. THE CONTRACTOR MAY OBTAIN DETAILED INFORMATION REGARDING ACH AT: [HTTP://WWW.OSC.CT.GOV/VENDOR/DIRECTDEPOSIT.HTML](http://www.osc.ct.gov/vendor/directdeposit.html).
 - (c) Notwithstanding any language regarding Contractor price increases herein, the Price Schedule will be adjusted to reflect any increase in the minimum wage rate that may occur during the term of this Contract as mandated by State law and in accordance with the terms of this section. Contractor shall provide documentation, in the form of certified payroll or other documentation acceptable to the State, substantiating the amount of any increase in Contractor labor costs as a result of changes to the minimum wage rate within ninety (90) days of the statutorily identified effective date of any increase in the minimum wage. Upon receipt, and verification of Contractor documentation DAS shall adjust the Price Schedule accordingly through a supplement to this Contract.
 - (d) Price Adjustments:

Prices for the Goods or Services listed in Exhibit B shall remain unchanged for twelve (12) months following the Effective Date of the Contract. The Contractor shall have the right to request a price adjustment only during the thirty (30) days immediately preceding the annual anniversary dates of the Effective Date of the Contract during the term of the Contract. During this thirty (30) day period, the Contractor may submit a request in writing to DAS for a price adjustment that is consistent with and relative to price changes originating with and compelled by manufacturer and/or market trends and which changes are outside of the Contractor's control. The Contractor must fully document its request, attaching to the request, without limitation, such manufacturer and market data, as support the requested adjustment. DAS may, in its sole discretion, approve or disapprove the

Contract # 19PSX0131

Contract Document

SP-50 Rev. 5/14/19

Prev. Rev. 11/21/18

requested adjustment, in whole or in part. Any approved adjustment shall be final and shall remain unchanged until the next annual anniversary date of the Effective Date of the Contract.

The Contractor shall submit all requests in accordance with Section #36. Notice. A request made to the Client Agency shall not be valid and the parties shall treat it as if the Contractor had not made the request at all. A request made to the Client Agency shall not be considered timely and shall not toll or extend the running of the thirty (30) days. The right of the Contractor to request a particular price adjustment shall lapse upon the expiration of the applicable thirty (30) days. If the Contractor fails to make a timely request, then the price shall remain unchanged from the previous year and shall continue through the next succeeding twelve (12) months and until the second annual anniversary of the Effective Date of the Contract, if approved, price adjustments shall become effective ten (10) days after the date of the approval. The Contractor shall honor any purchase orders issued prior to the effective date of the approval at the price in effect at the time of the issuance of the purchase order.

5. Rejected Items; Abandonment.

(a) The Contractor may deliver, cause to be delivered, or, in any other way, bring or cause to be brought, to any State premises or other destination, Goods, as samples or otherwise, and other supplies, materials, equipment or other tangible personal property. The State may, by written notice and in accordance with the terms and conditions of the Contract, direct the Contractor to remove any or all such Goods (“the “Rejected Goods”) and any or all other supplies, materials, equipment or other tangible personal property (collectively, the “Contractor Property”) from and out of State premises and any other location which the State manages, leases or controls. The Contractor shall remove the Rejected Goods and the Contractor Property in accordance with the terms and conditions of the written notice. Failure to remove the Rejected Goods or the Contractor Property in accordance with the terms and conditions of the written notice shall mean, for itself and all Contractor Parties, that:

- (1) they have voluntarily, intentionally, unconditionally, unequivocally and absolutely abandoned and left unclaimed the Rejected Goods and Contractor Property and relinquished all ownership, title, licenses, rights, possession and interest of, in and to (collectively, “Title”) the Rejected Goods and Contractor Property with the specific and express intent of (A) terminating all of their Title to the Rejected Goods and Contractor Property, (B) vesting Title to the Rejected Goods and Contractor Property in the State of Connecticut and (C) not ever reclaiming Title or any future rights of any type in and to the Rejected Goods and Contractor Property;
- (2) there is no ignorance, inadvertence or unawareness to mitigate against the intent to abandon the Rejected Goods or Contractor Property;
- (3) they vest authority, without any further act required on their part or the State’s part, in the Client Agency and the State to use or dispose of the Rejected Goods and Contractor Property, in the State’s sole discretion, as if the Rejected Goods and Contractor Property were the State’s own property and in accordance with law, without incurring any liability or obligation to the Contractor or any other party;
- (4) if the State incurs any costs or expenses in connection with disposing of the Rejected Goods and Contractor Property, including, but not limited to, advertising, moving or storing the Rejected Goods and Contractor Property, auction and other activities, the

Contract # 19PSX0131

Contract Document

SP-50 Rev. 5/14/19

Prev. Rev. 11/21/18

State shall invoice the Contractor for all such cost and expenses and the Contractor shall reimburse the State no later than thirty (30) days after the date of invoice; and

- (5) they do remise, release and forever discharge the State and its employees, departments, commissions, boards, bureaus, agencies, instrumentalities or political subdivisions and their respective successors, heirs, executors and assigns (collectively, the "State and Its Agents") of and from all Claims which they and their respective successors or assigns, jointly or severally, ever had, now have or will have against the State and Its Agents arising from the use or disposition of the Rejected Goods and Contractor Property.
- (b) The Contractor shall secure from each Contractor Party, such document or instrument as necessary or appropriate as will vest in the Contractor plenary authority to bind the Contractor Parties to the full extent necessary or appropriate to give full effect to all of the terms and conditions of this section. The Contractor shall provide, no later than fifteen (15) days after receiving a request from the State, such information as the State may require to evidence, in the State's sole determination, compliance with this section.
6. Order and Delivery. The Contract shall bind the Contractor to furnish and deliver the Goods or Services in accordance with Exhibit A and Attachment 1 and at the prices set forth in Exhibit B. Subject to the sections in this Contract concerning Force Majeure, Termination and Open Market Purchases, the Contract shall bind the Client Agency to order the Goods or Services from the Contractor, and to pay for the accepted Goods or Services in accordance with Exhibit B.
7. Contract Amendments. No amendment to or modification or other alteration of the Contract shall be valid or binding upon the State unless made in writing, signed by both parties and, if applicable, approved by the Connecticut Attorney General.
8. Assignment. The Contractor shall not assign any of its rights or obligations under the Contract, voluntarily or otherwise, in any manner without the prior written consent of DAS. DAS may void any purported assignment in violation of this section and declare the Contractor in breach of Contract. Any Termination by DAS for a breach is without prejudice to DAS's or the State's rights or possible Claims.
9. Termination.
- (a) Notwithstanding any provisions in this Contract, DAS, through a duly authorized employee, may Terminate the Contract whenever DAS makes a written determination that such Termination is in the best interests of the State. DAS shall notify the Contractor in writing of Termination pursuant to this section, which notice shall specify the effective date of Termination and the extent to which the Contractor must complete its Performance under the Contract prior to such date.
- (b) Notwithstanding any provisions in this Contract, DAS, through a duly authorized employee, may, after making a written determination that the Contractor has breached the Contract, Terminate the Contract in accordance with the provisions in the Breach section of this Contract.
- (c) DAS shall send the notice of Termination via certified mail, return receipt requested, to the Contractor at the most current address which the Contractor has furnished to DAS for purposes of correspondence, or by hand delivery. Upon receiving the notice from DAS, the

Contract # 19PSX0131

Contract Document

SP-50 Rev. 5/14/19

Prev. Rev. 11/21/18

Contractor shall immediately discontinue all services affected in accordance with the notice, undertake all commercially reasonable efforts to mitigate any losses or damages, and deliver to the Client Agency all Records. The Records are deemed to be the property of the Client Agency and the Contractor shall deliver them to the Client Agency no later than thirty (30) days after the Termination of the Contract or fifteen (15) days after the Contractor receives a written request from either DAS or the Client Agency for the Records. The Contractor shall deliver those Records that exist in electronic, magnetic or other intangible form in a non-proprietary format, such as, but not limited to, ASCII or .TXT.

- (d) Upon receipt of a written notice of Termination from DAS, the Contractor shall cease operations as DAS directs in the notice, and take all actions that are necessary or appropriate, or that DAS may reasonably direct, for the protection, and preservation of the Goods and any other property. Except for any work which DAS directs the Contractor to Perform in the notice prior to the effective date of Termination, and except as otherwise provided in the notice, the Contractor shall terminate or conclude all existing subcontracts and purchase orders and shall not enter into any further subcontracts, purchase orders or commitments.
 - (e) The Client Agency shall, within forty-five (45) days of the effective date of Termination, reimburse the Contractor for its Performance rendered and accepted by the Client Agency in accordance with Exhibit A and Attachment 1, in addition to all actual and reasonable costs incurred after Termination in completing those portions of the Performance which the notice required the Contractor to complete. However, the Contractor is not entitled to receive and the Client Agency is not obligated to tender to the Contractor any payments for anticipated or lost profits. Upon request by DAS or the Client Agency, as applicable, the Contractor shall assign to DAS or the Client Agency, or any replacement contractor which DAS or the Client Agency designates, all subcontracts, purchase orders and other commitments, deliver to DAS or the Client Agency all Records and other information pertaining to its Performance, and remove from State premises, whether leased or owned, all of Contractor's property, equipment, waste material and rubbish related to its Performance, all as DAS or the Client Agency may request.
 - (f) For breach or violation of any of the provisions in the section concerning Representations and Warranties, DAS may Terminate the Contract in accordance with its terms and revoke any consents to assignments given as if the assignments had never been requested or consented to, without liability to the Contractor or Contractor Parties or any third party.
 - (g) Upon Termination of the Contract, all rights and obligations shall be null and void, so that no party shall have any further rights or obligations to any other party, except with respect to the sections which survive Termination. All representations, warranties, agreements and rights of the parties under the Contract shall survive such Termination to the extent not otherwise limited in the Contract and without each one of them having to be specifically mentioned in the Contract.
 - (h) Termination of the Contract pursuant to this section shall not be deemed to be a breach of contract by DAS.
10. **Cost Modifications.** The parties may agree to a reduction in the cost of the Contract at any time during which the Contract is in effect. Without intending to impose a limitation on the nature of the reduction, the reduction may be to hourly, staffing or unit costs, the total cost of the Contract or the reduction may take such other form as the State deems to be necessary or appropriate.

Contract # 19PSX0131

Contract Document

SP-50 Rev. 5/14/19

Prev. Rev. 11/21/18

11. **Breach.** If either party breaches the Contract in any respect, the non-breaching party shall provide written notice of such breach to the breaching party and afford the breaching party an opportunity to cure the breach within ten (10) days from the date that the breaching party receives such notice. Any other time provided for in the notice shall trump such ten (10) days. Such right to cure period shall be extended if the non-breaching party is satisfied that the breaching party is making a good faith effort to cure but the nature of the breach is such that it cannot be cured within the right to cure period. The notice may include an effective Contract Termination date if the breach is not cured by the stated date and, unless otherwise modified by the non-breaching party in writing prior to the Termination date, no further action shall be required of any party to effect the Termination as of the stated date. If the notice does not set forth an effective Contract Termination date, then the non-breaching party may Terminate the Contract by giving the breaching party no less than twenty four (24) hours' prior written notice. If DAS believes that the Contractor has not performed according to the Contract, the Client Agency may withhold payment in whole or in part pending resolution of the Performance issue, provided that DAS notifies the Contractor in writing prior to the date that the payment would have been due in accordance with Exhibit B.
12. **Waiver.**
 - (a) No waiver of any breach of the Contract shall be interpreted or deemed to be a waiver of any other or subsequent breach. All remedies afforded in the Contract shall be taken and construed as cumulative, that is, in addition to every other remedy provided in the Contract or at law or in equity.
 - (b) A party's failure to insist on strict performance of any provision of the Contract shall only be deemed to be a waiver of rights and remedies concerning that specific instance of Performance and shall not be deemed to be a waiver of any subsequent rights, remedies or breach.
13. **Open Market Purchases.** Failure of the Contractor to Perform within the time specified in the Contract, or failure to replace rejected or substandard Goods or fulfill unperformed Services when so requested and as the Contract provides or allows, constitutes a breach of the Contract and as a remedy for such breach, such failure shall constitute authority for DAS, if it deems it to be necessary or appropriate in its sole discretion, to Terminate the Contract and/or to purchase on the open market, Goods or Services to replace those which have been rejected, not delivered, or not Performed. The Client Agency shall invoice the Contractor for all such purchases to the extent that they exceed the costs and expenses in Exhibit B and the Contractor shall pay the Client Agency's invoice immediately after receiving the invoice. If DAS does not Terminate the Contract, the Client Agency will deduct such open market purchases from the Contract quantities. However, if the Client Agency deems it to be in the best interest of the State, the Client Agency may accept and use the Goods or Services delivered which are substandard in quality, subject to an adjustment in price to be determined by the Client Agency.
14. **Purchase Orders.**
 - (a) The Contract itself is not an authorization for the Contractor to ship Goods or begin Performance in any way. The Contractor may begin Performance only after it has received a duly issued purchase order against the Contract for Performance.
 - (b) The Client Agency shall issue a purchase order against the Contract directly to the Contractor and to no other party.

Contract # 19PSX0131

Contract Document

SP-50 Rev. 5/14/19

Prev. Rev. 11/21/18

- (c) All purchase orders shall be in written or electronic form, bear the Contract number (if any) and comply with all other State and Client Agency requirements, particularly the Client Agency's requirements concerning procurement. Purchase orders issued in compliance with such requirements shall be deemed to be duly issued.
- (d) A Contractor making delivery without a duly issued purchase order in accordance with this section does so at the Contractor's own risk.
- (e) The Client Agency may, in its sole discretion, deliver to the Contractor any or all duly issued purchase orders via electronic means only, such that the Client Agency shall not have any additional obligation to deliver to the Contractor a "hard copy" of the purchase order or a copy bearing any hand-written signature or other "original" marking.

15. Indemnification.

- (a) The Contractor shall indemnify, defend and hold harmless the State and its officers, representatives, agents, servants, employees, successors and assigns from and against any and all (1) Claims arising, directly or indirectly, in connection with the Contract, including the acts of commission or omission (collectively, the "Acts") of the Contractor or Contractor Parties; and (2) liabilities, damages, losses, costs and expenses, including but not limited to, attorneys' and other professionals' fees, arising, directly or indirectly, in connection with Claims, Acts or the Contract. The Contractor shall use counsel reasonably acceptable to the State in carrying out its obligations under this section. The Contractor's obligations under this section to indemnify, defend and hold harmless against Claims includes Claims concerning confidentiality of any part of or all of the Contractor's bid, proposal or any Records, any intellectual property rights, other proprietary rights of any person or entity, copyrighted or uncopyrighted compositions, secret processes, patented or unpatented inventions, articles or appliances furnished or used in the Performance.
- (b) The Contractor shall not be responsible for indemnifying or holding the State harmless from any liability arising due to the negligence of the State or any other person or entity acting under the direct control or supervision of the State.
- (c) The Contractor shall reimburse the State for any and all damages to the real or personal property of the State caused by the Acts of the Contractor or any Contractor Parties. The State shall give the Contractor reasonable notice of any such Claims.
- (d) The Contractor's duties under this section shall remain fully in effect and binding in accordance with the terms and conditions of the Contract, without being lessened or compromised in any way, even where the Contractor is alleged or is found to have merely contributed in part to the Acts giving rise to the Claims and/or where the State is alleged or is found to have contributed to the Acts giving rise to the Claims.
- (e) The Contractor shall carry and maintain at all times during the term of the Contract, and during the time that any provisions survive the term of the Contract, sufficient general liability insurance to satisfy its obligations under this Contract. The Contractor shall cause the State to be named as an additional insured on the policy and shall provide (1) a certificate of insurance, (2) the declaration page and (3) the additional insured endorsement to the policy to DAS all in an electronic format acceptable to DAS prior to the Effective Date of the Contract evidencing that the State is an additional insured. The Contractor shall not begin Performance until the delivery of these 3 documents to DAS. Contractor shall provide an annual electronic update of the 3 documents to DAS on or before each anniversary of

Contract # 19PSX0131

Contract Document

SP-50 Rev. 5/14/19

Prev. Rev. 11/21/18

the Effective Date during the Contract Term. State shall be entitled to recover under the insurance policy even if a body of competent jurisdiction determines that State is contributorily negligent.

(f) This section shall survive the Termination of the Contract and shall not be limited by reason of any insurance coverage.

16. Forum and Choice of Law. The parties deem the Contract to have been made in the City of Hartford, State of Connecticut. Both parties agree that it is fair and reasonable for the validity and construction of the Contract to be, and it shall be, governed by the laws and court decisions of the State of Connecticut, without giving effect to its principles of conflicts of laws. To the extent that any immunities provided by Federal law or the laws of the State of Connecticut do not bar an action against the State, and to the extent that these courts are courts of competent jurisdiction, for the purpose of venue, the complaint shall be made returnable to the Judicial District of Hartford only or shall be brought in the United States District Court for the District of Connecticut only, and shall not be transferred to any other court, provided, however, that nothing here constitutes a waiver or compromise of the sovereign immunity of the State of Connecticut. The Contractor waives any objection which it may now have or will have to the laying of venue of any Claims in any forum and further irrevocably submits to such jurisdiction in any suit, action or proceeding.

17. Contractor Guaranties. Contractor shall:

- (a) Perform fully under the Contract;
- (b) Guarantee the Goods or Services against defective material or workmanship and to repair any damage or marring occasioned in transit or, at the Client Agency's option, replace them;
- (c) Furnish adequate protection from damage for all work and to repair damage of any kind, for which its workers are responsible, to the premises, Goods, the Contractor's work or that of Contractor Parties;
- (d) With respect to the provision of Services, pay for all permits, licenses and fees and give all required or appropriate notices;
- (e) Adhere to all Contractual provisions ensuring the confidentiality of Records that the Contractor has access to and are exempt from disclosure under the State's Freedom of Information Act or other applicable law; and
- (f) Neither disclaim, exclude nor modify the implied warranties of fitness for a particular purpose or of merchantability.

18. Implied Warranties. DAS does not disclaim, exclude or modify the implied warranty of fitness for a particular purpose or the warranty of merchantability.

19. Goods, Standards and Appurtenances. Any Goods delivered must be standard new Goods, latest model, except as otherwise specifically stated in the Contract. Remanufactured, refurbished or reconditioned equipment may be accepted but only to the extent allowed under the Contract. Where the Contract does not specifically list or describe any parts or nominal appurtenances of equipment for the Goods, it shall be understood that the Contractor shall deliver such equipment and appurtenances as are usually provided with the manufacturer's stock model.

Contract # 19PSX0131

Contract Document

SP-50 Rev. 5/14/19

Prev. Rev. 11/21/18

20. Delivery.

- (a) Delivery shall be made as ordered and in accordance with the Contract. Unless otherwise specified in the Contract, delivery shall be to a loading dock or receiving platform. The Contractor or Contractor's shipping designee shall be responsible for removal of Goods from the carrier and placement on the Client Agency loading dock or receiving platform. The receiving personnel of the Client Agency are not required to assist in this process. The decision of DAS as to reasonable compliance with delivery terms shall be final and binding. The burden of proof of proper receipt of the order shall rest with the Contractor.
- (b) In order for the time of delivery to be extended, the Client Agency must first approve a request for extension from the time specified in the Contract, such extension applying only to the particular item or shipment.
- (c) Goods shall be securely and properly packed for shipment, according to accepted standard commercial practice, without extra charge for packing cases, baling or sacks. The containers shall remain the property of the Client Agency unless otherwise stated in the Contract.
- (d) All risk of loss and damage to the Goods transfers to the Client Agency upon Title vesting in the Client Agency.

21. **Goods Inspection.** The Commissioner of DAS, in consultation with the Client Agency, shall determine the manner and prescribe the inspection of all Goods and the tests of all samples submitted to determine whether they comply with all of the specifications in the Contract. If any Goods fail in any way to meet the specifications in the Contract, the Client Agency or the Commissioner of DAS may, in its sole discretion, either reject it and owe nothing or accept it and pay for it on an adjusted price basis, depending on the degree to which the Goods meet the specifications. Any decision pertaining to any such failure or rejection shall be final and binding.

22. **Emergency Standby for Goods and/or Services.** If any Federal or State official, having authority to do so, declares an emergency or the occurrence of a natural disaster within the State of Connecticut, DAS and the Client Agency may request the Goods and Services on an expedited and prioritized basis. Upon receipt of such a request the Contractor shall make all necessary and appropriate commercially reasonable efforts to reallocate its staffing and other resources in order to give primary preference to Performing this Contract ahead of or prior to fulfilling, in whole or in part, any other contractual obligations that the Contractor may have. The Contractor is not obligated to make those efforts to Perform on an expedited and prioritized basis in accordance with this paragraph if doing so will make the Contractor materially breach any other contractual obligations that the Contractor may have. Contractor shall acknowledge receipt of any request made pursuant to this paragraph within 2 hours from the time that the Contractor receives it via purchase order or through a request to make an expedited or prioritized purchase through the State of Connecticut Purchasing Card (MasterCard) Program (the "P-Card Program"). If the Contractor fails to acknowledge receipt within 2 hours, confirm its obligation to Perform or actually Perform, as set forth in the purchase order or through the P-Card Program, then DAS and the Client Agency may procure the Performance from another source without further notice to Contractor and without creating any right of recourse at law or in equity against DAS or Client Agency.

23. **Setoff.** In addition to all other remedies available hereunder, the State, in its sole discretion, may setoff (1) any costs or expenses that the State incurs resulting from the Contractor's unexcused nonperformance under the Contract and under any other

Contract # 19PSX0131

Contract Document

SP-50 Rev. 5/14/19

Prev. Rev. 11/21/18

agreement or arrangement that the Contractor has with the State and (2) any other amounts that are due or may become due from the State to the Contractor, against amounts otherwise due or that may become due to the Contractor under the Contract, or under any other agreement or arrangement that the Contractor has with the State. The State's right of setoff shall not be deemed to be the State's exclusive remedy for the Contractor's or Contractor Parties' breach of the Contract, all of which shall survive any setoffs by the State.

24. Force Majeure. The State and the Contractor shall not be excused from their obligation to Perform in accordance with the Contract except in the case of Force Majeure events and as otherwise provided for in the Contract. In the case of any such exception, the nonperforming party shall give immediate written notice to the other, explaining the cause and probable duration of any such nonperformance.
25. Advertising. The Contractor shall not refer to sales to the State for advertising or promotional purposes, including, but not limited to, posting any material or data on the Internet, without DAS's prior written approval.
26. Americans With Disabilities Act. The Contractor shall be and remain in compliance with the Americans with Disabilities Act of 1990 ("Act"), to the extent applicable, during the term of the Contract. DAS may Terminate the Contract if the Contractor fails to comply with the Act.
27. Representations and Warranties. The Contractor, represents and warrants to DAS for itself and Contractor Parties, that:
 - (a) if they are entities, they are duly and validly existing under the laws of their respective states of organization and authorized to conduct business in the State of Connecticut in the manner contemplated by the Contract. Further, as appropriate, they have taken all necessary action to authorize the execution, delivery and Performance of the Contract and have the power and authority to execute, deliver and Perform their obligations under the Contract;
 - (b) they will comply with all applicable State and Federal laws and municipal ordinances in satisfying their obligations to the State under and pursuant to the Contract, including, but not limited to (1) Connecticut General Statutes Title 1, Chapter 10, concerning the State's Codes of Ethics and (2) Title 4a concerning State purchasing, including, but not limited to Section 22a-194a concerning the use of polystyrene foam;
 - (c) the execution, delivery and Performance of the Contract will not violate, be in conflict with, result in a breach of or constitute (with or without due notice and/or lapse of time) a default under any of the following, as applicable: (1) any provision of law; (2) any order of any court or the State; or (3) any indenture, agreement, document or other instrument to which it is a party or by which it may be bound;
 - (d) they are not presently debarred, suspended, proposed for debarment, declared ineligible, or voluntarily excluded from covered transactions by any governmental entity;
 - (e) as applicable, they have not, within the three years preceding the Contract, in any of their current or former jobs, been convicted of, or had a civil judgment rendered against them or against any person who would Perform under the Contract, for commission of fraud or a criminal offense in connection with obtaining, attempting to obtain, or performing a transaction or contract with any governmental entity. This includes, but is not limited to, violation of Federal or state antitrust statutes or commission of embezzlement, theft,

Contract # 19PSX0131

Contract Document

SP-50 Rev. 5/14/19

Prev. Rev. 11/21/18

forgery, bribery, falsification or destruction of records, making false statements, or receiving stolen property;

- (f) they are not presently indicted for or otherwise criminally or civilly charged by any governmental entity with commission of any of the offenses listed above;
- (g) they have not within the three years preceding the Contract had one or more contracts with any governmental entity Terminated;
- (h) they have not employed or retained any entity or person, other than a bona fide employee working solely for them, to solicit or secure the Contract and that they have not paid or agreed to pay any entity or person, other than a bona fide employee working solely for them, any fee, commission, percentage, brokerage fee, gifts, or any other consideration contingent upon or resulting from the award or making of the Contract or any assignments made in accordance with the terms of the Contract;
- (i) to the best of their knowledge, there are no Claims involving the Contractor or Contractor Parties that might reasonably be expected to materially adversely affect their businesses, operations, assets, properties, financial stability, business prospects or ability to Perform fully under the Contract;
- (j) they shall disclose, to the best of their knowledge, to DAS in writing any Claims involving them that might reasonably be expected to materially adversely affect their businesses, operations, assets, properties, financial stability, business prospects or ability to Perform fully under the Contract, no later than ten (10) Days after becoming aware or after they should have become aware of any such Claims. For purposes of the Contractor's obligation to disclose any Claims to DAS, the ten (10) Days in the section of this Contract concerning Disclosure of Contractor Parties Litigation shall run consecutively with the ten (10) Days provided for in this representation and warranty;
- (k) their participation in the Invitation to Bid process is not a conflict of interest or a breach of ethics under the provisions of Title 1, Chapter 10 of the Connecticut General Statutes concerning the State's Code of Ethics;
- (l) the Bid was not made in connection or concert with any other person or entity, including any affiliate (as defined in the Tangible Personal Property section of this Contract) of the Contractor, submitting a bid for the same Goods or Services, and is in all respects fair and without collusion or fraud;
- (m) they are able to Perform under the Contract using their own resources or the resources of a party who is not a Contractor;
- (n) the Contractor shall obtain in a written contract all of the representations and warranties in this section from any Contractor Parties and to require that provision to be included in any contracts and purchase orders with Contractor Parties;
- (o) they have paid all applicable workers' compensation second injury fund assessments concerning all previous work done in Connecticut;
- (p) they have a record of compliance with Occupational Health and Safety Administration regulations without any unabated, willful or serious violations;
- (q) they owe no unemployment compensation contributions;

Contract # 19PSX0131

Contract Document

SP-50 Rev. 5/14/19

Prev. Rev. 11/21/18

- (r) they are not delinquent in the payment of any taxes owed, or, that they have filed a sales tax security bond, and they have, if and as applicable, filed for motor carrier road tax stickers and have paid all outstanding road taxes;
- (s) all of their vehicles have current registrations and, unless such vehicles are no longer in service, they shall not allow any such registrations to lapse;
- (t) each Contractor Party has vested in the Contractor plenary authority to bind the Contractor Parties to the full extent necessary or appropriate to ensure full compliance with and Performance in accordance with all of the terms and conditions of the Contract and that all appropriate parties shall also provide to DAS, no later than fifteen (15) days after receiving a request from DAS, such information as DAS may require to evidence, in DAS's sole determination, compliance with this section;
- (u) except to the extent modified or abrogated in the Contract, all Title shall pass to the Client Agency upon complete installation, testing and acceptance of the Goods or Services and payment by the Client Agency;
- (v) if either party Terminates the Contract, for any reason, they shall relinquish to the Client Agency all Title to the Goods delivered, accepted and paid for (except to the extent any invoiced amount is disputed) by the Client Agency;
- (w) with regard to third party products provided with the Goods, they shall transfer all licenses which they are permitted to transfer in accordance with the applicable third party license;
- (x) they shall not copyright, register, distribute or claim any rights in or to the Goods after the Effective Date of the Contract without DAS's prior written consent;
- (y) they either own or have the authority to use all Title of and to the Goods, and that such Title is not the subject of any encumbrances, liens or claims of ownership by any third party;
- (z) the Goods do not infringe or misappropriate any patent, trade secret or other intellectual property right of a third party;
- (aa) the Client Agency's use of any Goods shall not infringe or misappropriate any patent, trade secret or other intellectual property right of a third party;
- (bb) if they procure any Goods, they shall sub-license such Goods and that the Client Agency shall be afforded the full benefits of any manufacturer or subcontractor licenses for the use of the Goods; and
- (cc) they shall assign or otherwise transfer to the Client Agency, or afford the Client Agency the full benefits of any manufacturer's warranty for the Goods, to the extent that such warranties are assignable or otherwise transferable to the Client Agency.

28. Representations and Warranties Concerning Motor Vehicles. If in the course of Performance or in any other way related to the Contract the Contractor at any time uses or operates "motor vehicles," as that term is defined by Conn. Gen. Stat. §14-1 (including, but not limited to such services as snow plowing, sanding, hauling or delivery of materials, freight or merchandise, or the transportation of passengers), the Contractor, represents and warrants for itself and the Contractor Parties, that:

Contract # 19PSX0131

Contract Document

SP-50 Rev. 5/14/19

Prev. Rev. 11/21/18

- (a) It is the owner of record or lessee of record of each such motor vehicle used in the Performance of the Contract, and each such motor vehicle is duly registered with the Connecticut Department of Motor Vehicles ("ConnDMV") in accordance with the provisions of Chapter 246 of the Connecticut General Statutes. Each such registration shall be in valid status, and shall not be expired, suspended or revoked by ConnDMV, for any reason or cause. If such motor vehicle is not registered with ConnDMV, then it shall be duly registered with another state or commonwealth in accordance with such other state's or commonwealth's applicable statutes. Each such registration shall be in valid status, and shall not be expired, suspended or revoked by such other state or commonwealth for any reason or cause.
- (b) Each such motor vehicle shall be fully insured in accordance with the provisions of Sections 14-12b, 14-112 and 38a-371 of the Connecticut General Statutes, as amended, in the amounts required by the said sections or in such higher amounts as have been specified by ConnDMV as a condition for the award of the Contract, or in accordance with all substantially similar provisions imposed by the law of the jurisdiction where the motor vehicle is registered.
- (c) Each Contractor Party who uses or operates a motor vehicle at any time in the Performance of the Contract shall have and maintain a motor vehicle operator's license or commercial driver's license of the appropriate class for the motor vehicle being used or operated. Each such license shall bear the endorsement or endorsements required by the provisions of Section 14-36a of the Connecticut General Statutes, as amended, to operate such motor vehicle, or required by substantially similar provisions imposed by the law of another jurisdiction in which the operator is licensed to operate such motor vehicle. The license shall be in valid status, and shall not be expired, suspended or revoked by ConnDMV or such other jurisdiction for any reason or cause.
- (d) Each motor vehicle shall be in full compliance with all of the terms and conditions of all provisions of the Connecticut General Statutes and regulations, or those of the jurisdiction where the motor vehicle is registered, pertaining to the mechanical condition, equipment, marking and operation of motor vehicles of such type, class and weight, including, but not limited to, requirements for intrastate carriers with motor vehicles having a gross vehicle weight rating or gross combination weight rating or gross vehicle weight or gross combination weight of 18,001 pounds or more or interstate carriers with motor vehicles having a gross vehicle weight rating or gross combination weight rating or gross vehicle weight or gross combination weight of 10,001 pounds or more otherwise described by the provisions of Conn. Gen. Stat. § 14-163c(a) and all applicable provisions of the Federal Motor Carrier Safety Regulations, as set forth in Title 49, Parts 382 to 399, inclusive, of the Code of Federal Regulations. If the Contractor is a "motor carrier," as that term is defined in section 49 CFR Part 390, and the Contractor is subject to an order issued by the Federal Motor Carrier Safety Administration that prohibits such Contractor from operating or allowing the operation of a motor vehicle, then the Contractor shall comply fully with such order. In addition, if a motor vehicle or its operator is declared out of service pursuant to Conn. Gen. Stat. § 14-163c(d)(4), then the Contractor shall not operate or allow the operation of that motor vehicle and shall not allow the operator to operate a motor vehicle while the respective subject out-of-service order is in effect.
29. Disclosure of Contractor Parties Litigation. The Contractor shall require that all Contractor Parties, as appropriate, disclose to the Contractor, to the best of their knowledge, any Claims involving the Contractor Parties that might reasonably be expected to materially adversely affect their businesses, operations, assets, properties, financial stability, business prospects or ability to Perform fully under the Contract, no later than ten (10) Days after

Contract # 19PSX0131

Contract Document

SP-50 Rev. 5/14/19

Prev. Rev. 11/21/18

becoming aware or after they should have become aware of any such Claims. Disclosure shall be in writing.

30. Entirety of Contract. The Contract is the entire agreement between the parties with respect to its subject matter, and supersedes all prior agreements, bids, offers, counteroffers and understandings of the parties, whether written or oral. The Contract has been entered into after full investigation, neither party relying upon any statement or representation by the other unless such statement or representation is specifically embodied in the Contract.
31. Exhibits. All exhibits referred to in and attached to this Contract are incorporated in this Contract by such reference and shall be deemed to be a part of it as if they had been fully set forth in it.
32. Executive Orders. This Contract is subject to the provisions of Executive Order No. Three of Governor Thomas J. Meskill, promulgated June 16, 1971, concerning labor employment practices, Executive Order No. Seventeen of Governor Thomas J. Meskill, promulgated February 15, 1973, concerning the listing of employment openings and Executive Order No. Sixteen of Governor John G. Rowland promulgated August 4, 1999, concerning violence in the workplace, all of which are incorporated into and are made a part of the Contract as if they had been fully set forth in it. The Contract may also be subject to Executive Order No. 14 of Governor M. Jodi Rell, promulgated April 17, 2006, concerning procurement of cleaning products and services, Executive Order No. 61 of Governor Dannel P. Malloy promulgated December 13, 2017 concerning the Policy for the Management of State Information Technology Projects, as issued by the Office of Policy and Management, Policy ID IT-SDLC-17-04, and Executive Order No. 49 of Governor Dannel P. Malloy, promulgated May 22, 2015, mandating disclosure of certain gifts to public employees and contributions to certain candidates for office in accordance with their respective terms and conditions. If Executive Orders 14, 61 or 49 are applicable, it is deemed to be incorporated into and are made a part of the Contract as if it had been fully set forth in it. At the Contractor's request, the State shall provide a copy of these orders to the Contractor.
33. Non-discrimination.
 - (a) For purposes of this Section, the following terms are defined as follows:
 - (1) "Commission" means the Commission on Human Rights and Opportunities;
 - (2) "Contract" and "contract" include any extension or modification of the Contract or contract;
 - (3) "Contractor" and "contractor" include any successors or assigns of the Contractor or contractor;
 - (4) "Gender identity or expression" means a person's gender-related identity, appearance or behavior, whether or not that gender-related identity, appearance or behavior is different from that traditionally associated with the person's physiology or assigned sex at birth, which gender-related identity can be shown by providing evidence including, but not limited to, medical history, care or treatment of the gender-related identity, consistent and uniform assertion of the gender-related identity or any other evidence that the gender-related identity is sincerely held, part of a person's core identity or not being asserted for an improper purpose.

Contract # 19PSX0131

Contract Document

SP-50 Rev. 5/14/19

Prev. Rev. 11/21/18

- (5) "good faith" means that degree of diligence which a reasonable person would exercise in the performance of legal duties and obligations;
- (6) "good faith efforts" shall include, but not be limited to, those reasonable initial efforts necessary to comply with statutory or regulatory requirements and additional or substituted efforts when it is determined that such initial efforts will not be sufficient to comply with such requirements;
- (7) "marital status" means being single, married as recognized by the state of Connecticut, widowed, separated or divorced;
- (8) "mental disability" means one or more mental disorders, as defined in the most recent edition of the American Psychiatric Association's "Diagnostic and Statistical Manual of Mental Disorders", or a record of or regarding a person as having one or more such disorders;
- (9) "minority business enterprise" means any small contractor or supplier of materials fifty-one percent or more of the capital stock, if any, or assets of which is owned by a person or persons: (1) who are active in the daily affairs of the enterprise, (2) who have the power to direct the management and policies of the enterprise, and (3) who are members of a minority, as such term is defined in subsection (a) of Connecticut General Statutes § 32-9n; and
- (10) "public works contract" means any agreement between any individual, firm or corporation and the State or any political subdivision of the State other than a municipality for construction, rehabilitation, conversion, extension, demolition or repair of a public building, highway or other changes or improvements in real property, or which is financed in whole or in part by the State, including, but not limited to, matching expenditures, grants, loans, insurance or guarantees.

For purposes of this Section, the terms "Contract" and "contract" do not include a contract where each contractor is (1) a political subdivision of the state, including, but not limited to, a municipality, unless the contract is a municipal public works contract or quasi-public agency project contract, (2) any other state, including but not limited to any federally recognized Indian tribal governments, as defined in C.G.S. § 1-267, (3) the federal government, (4) a foreign government, or (5) an agency of a subdivision, state or government described in the immediately preceding enumerated items (1), (2), (3), or (4).

(b)

- (1) The Contractor agrees and warrants that in the performance of the Contract such Contractor will not discriminate or permit discrimination against any person or group of persons on the grounds of race, color, religious creed, age, marital status, national origin, ancestry, sex, gender identity or expression, status of a veteran, intellectual disability, mental disability or physical disability, including, but not limited to, blindness, unless it is shown by such Contractor that such disability prevents performance of the work involved, in any manner prohibited by the laws of the United States or of the State of Connecticut; and the Contractor further agrees to take affirmative action to [insure] ensure that applicants with job-related qualifications are employed and that employees are treated when employed without regard to their race, color, religious creed, age, marital status, national origin, ancestry, sex, gender identity or expression, status of a veteran, intellectual disability, mental disability or physical disability, including, but not limited to, blindness, unless it is shown by the Contractor that such disability prevents performance

Contract # 19PSX0131

Contract Document

SP-50 Rev. 5/14/19

Prev. Rev. 11/21/18

of the work involved; (2) the Contractor agrees, in all solicitations or advertisements for employees placed by or on behalf of the Contractor, to state that it is an "affirmative action-equal opportunity employer" in accordance with regulations adopted by the Commission; (3) the Contractor agrees to provide each labor union or representative of workers with which the Contractor has a collective bargaining agreement or other contract or understanding and each vendor with which the Contractor has a contract or understanding, a notice to be provided by the Commission, advising the labor union or workers' representative of the Contractor's commitments under this section and to post copies of the notice in conspicuous places available to employees and applicants for employment; (4) the Contractor agrees to comply with each provision of this Section and Connecticut General Statutes §§ 46a-68e and 46a-68f and with each regulation or relevant order issued by said Commission pursuant to Connecticut General Statutes §§ 46a-56, 46a-68e and 46a-68f; and (5) the Contractor agrees to provide the Commission on Human Rights and Opportunities with such information requested by the Commission, and permit access to pertinent books, records and accounts, concerning the employment practices and procedures of the Contractor as relate to the provisions of this Section and Connecticut General Statutes § 46a-56. If the contract is a public works contract, the Contractor agrees and warrants that he will make good faith efforts to employ minority business enterprises as subcontractors and suppliers of materials on such public works projects.

- (c) Determination of the Contractor's good faith efforts shall include, but shall not be limited to, the following factors: The Contractor's employment and subcontracting policies, patterns and practices; affirmative advertising, recruitment and training; technical assistance activities and such other reasonable activities or efforts as the Commission may prescribe that are designed to ensure the participation of minority business enterprises in public works projects.
- (d) The Contractor shall develop and maintain adequate documentation, in a manner prescribed by the Commission, of its good faith efforts.
- (e) The Contractor shall include the provisions of subsection (b) of this Section in every subcontract or purchase order entered into in order to fulfill any obligation of a contract with the State and such provisions shall be binding on a subcontractor, vendor or manufacturer unless exempted by regulations or orders of the Commission. The Contractor shall take such action with respect to any such subcontract or purchase order as the Commission may direct as a means of enforcing such provisions including sanctions for noncompliance in accordance with Connecticut General Statutes §46a-56; provided if such Contractor becomes involved in, or is threatened with, litigation with a subcontractor or vendor as a result of such direction by the Commission, the Contractor may request the State of Connecticut to enter into any such litigation or negotiation prior thereto to protect the interests of the State and the State may so enter.
- (f) The Contractor agrees to comply with the regulations referred to in this Section as they exist on the date of this Contract and as they may be adopted or amended from time to time during the term of this Contract and any amendments thereto.
- (g)
 - (1) The Contractor agrees and warrants that in the performance of the Contract such Contractor will not discriminate or permit discrimination against any person or group of persons on the grounds of sexual orientation, in any manner prohibited by the laws of the United States or the State of Connecticut, and that employees are treated when employed without regard to their sexual orientation; (2) the Contractor agrees to

Contract # 19PSX0131

Contract Document

SP-50 Rev. 5/14/19

Prev. Rev. 11/21/18

provide each labor union or representative of workers with which such Contractor has a collective bargaining agreement or other contract or understanding and each vendor with which such Contractor has a contract or understanding, a notice to be provided by the Commission on Human Rights and Opportunities advising the labor union or workers' representative of the Contractor's commitments under this section, and to post copies of the notice in conspicuous places available to employees and applicants for employment; (3) the Contractor agrees to comply with each provision of this section and with each regulation or relevant order issued by said Commission pursuant to Connecticut General Statutes § 46a-56; and (4) the Contractor agrees to provide the Commission on Human Rights and Opportunities with such information requested by the Commission, and permit access to pertinent books, records and accounts, concerning the employment practices and procedures of the Contractor which relate to the provisions of this Section and Connecticut General Statutes § 46a-56.

- (h) The Contractor shall include the provisions of the foregoing paragraph in every subcontract or purchase order entered into in order to fulfill any obligation of a contract with the State and such provisions shall be binding on a subcontractor, vendor or manufacturer unless exempted by regulations or orders of the Commission. The Contractor shall take such action with respect to any such subcontract or purchase order as the Commission may direct as a means of enforcing such provisions including sanctions for noncompliance in accordance with Connecticut General Statutes § 46a-56; provided, if such Contractor becomes involved in, or is threatened with, litigation with a subcontractor or vendor as a result of such direction by the Commission, the Contractor may request the State of Connecticut to enter into any such litigation or negotiation prior thereto to protect the interests of the State and the State may so enter.

34. Tangible Personal Property.

- (a) The Contractor on its behalf and on behalf of its Affiliates, as defined below, shall comply with the provisions of Conn. Gen. Stat. §12-411b, as follows:
- (1) For the term of the Contract, the Contractor and its Affiliates shall collect and remit to the State of Connecticut, Department of Revenue Services, any Connecticut use tax due under the provisions of Chapter 219 of the Connecticut General Statutes for items of tangible personal property sold by the Contractor or by any of its Affiliates in the same manner as if the Contractor and such Affiliates were engaged in the business of selling tangible personal property for use in Connecticut and had sufficient nexus under the provisions of Chapter 219 to be required to collect Connecticut use tax;
 - (2) A customer's payment of a use tax to the Contractor or its Affiliates relieves the customer of liability for the use tax;
 - (3) The Contractor and its Affiliates shall remit all use taxes they collect from customers on or before the due date specified in the Contract, which may not be later than the last day of the month next succeeding the end of a calendar quarter or other tax collection period during which the tax was collected;
 - (4) The Contractor and its Affiliates are not liable for use tax billed by them but not paid to them by a customer; and

Contract # 19PSX0131

Contract Document

SP-50 Rev. 5/14/19

Prev. Rev. 11/21/18

- (5) Any Contractor or Affiliate who fails to remit use taxes collected on behalf of its customers by the due date specified in the Contract shall be subject to the interest and penalties provided for persons required to collect sales tax under chapter 219 of the general statutes.
- (b) For purposes of this section of the Contract, the word "Affiliate" means any person, as defined in section 12-1 of the general statutes, that controls, is controlled by, or is under common control with another person. A person controls another person if the person owns, directly or indirectly, more than ten per cent of the voting securities of the other person. The word "voting security" means a security that confers upon the holder the right to vote for the election of members of the board of directors or similar governing body of the business, or that is convertible into, or entitles the holder to receive, upon its exercise, a security that confers such a right to vote. "Voting security" includes a general partnership interest.
- (c) The Contractor represents and warrants that each of its Affiliates has vested in the Contractor plenary authority to so bind the Affiliates in any agreement with the State of Connecticut. The Contractor on its own behalf and on behalf of its Affiliates shall also provide, no later than 30 days after receiving a request by the State's contracting authority, such information as the State may require to ensure, in the State's sole determination, compliance with the provisions of Chapter 219 of the Connecticut General Statutes, including, but not limited to, §12-411b.
35. Whistleblowing. This Contract may be subject to the provisions of Section 4-61dd of the Connecticut General Statutes. In accordance with this statute, if an officer, employee or appointing authority of the Contractor takes or threatens to take any personnel action against any employee of the Contractor in retaliation for such employee's disclosure of information to any employee of the contracting state or quasi-public agency or the Auditors of Public Accounts or the Attorney General under the provisions of subsection (a) of such statute, the Contractor shall be liable for a civil penalty of not more than five thousand dollars for each offense, up to a maximum of twenty per cent of the value of this Contract. Each violation shall be a separate and distinct offense and in the case of a continuing violation, each calendar day's continuance of the violation shall be deemed to be a separate and distinct offense. The State may request that the Attorney General bring a civil action in the Superior Court for the Judicial District of Hartford to seek imposition and recovery of such civil penalty. In accordance with subsection (f) of such statute, each large state contractor, as defined in the statute, shall post a notice of the provisions of the statute relating to large state contractors in a conspicuous place which is readily available for viewing by the employees of the Contractor.
36. Notice. All notices, demands, requests, consents, approvals or other communications required or permitted to be given or which are given with respect to this Contract (for the purpose of this section collectively called "Notices") shall be deemed to have been effected at such time as the notice is placed in the U.S. mail, first class and postage pre-paid, return receipt requested or placed with a recognized, overnight express delivery service that provides for a return receipt. All such Notices shall be in writing and shall be addressed as follows:

If to DAS:

State of Connecticut Department of Administrative Services
Procurement Division
450 Columbus Boulevard, Suite 1202
Hartford, CT 06103

Contract # 19PSX0131

Contract Document

SP-50 Rev. 5/14/19

Prev. Rev. 11/21/18

Attention: Janet DelGreco Olson

If to the Contractor:

At the address set forth on Form SP-38.

37. **Insurance.** Before commencing Performance, the Contractor shall obtain and maintain at its own cost and expense for the duration of the Contract, the following insurance as described in (a) through (h) below. Contractor shall assume any and all deductibles in the described insurance policies. The Contractor's insurers shall have no right of recovery or subrogation against the State and the described Contractor's insurance shall be primary coverage. Any failure to comply with the claim reporting provisions of the policy shall not affect coverage provided to the State.

(a) Reserved

(b) **Commercial General Liability:** \$1,000,000 combined single limit per occurrence for bodily injury, personal injury and property damage. Coverage shall include, Premises and Operations, Independent Contractors, Products and Completed Operations, Contractual Liability and Broad Form Property Damage coverage. If a general aggregate is used, the general aggregate limit shall apply separately to the project or the general aggregate limit shall be twice the occurrence limit.

(c) **Automobile Liability:** \$1,000,000 combined single limit per accident for bodily injury. Coverage extends to owned, hired and non-owned automobiles. If the vendor/contractor does not own an automobile, but one is used in the execution of the contract, then only hired and non-owned coverage is required. If a vehicle is not used in the execution of the contract then automobile coverage is not required.

(d) **Workers' Compensation and Employers Liability:** Statutory coverage in compliance with the Compensation laws of the State of Connecticut. Coverage shall include Employer's Liability with minimum limits of \$100,000 each accident, \$500,000 Disease – Policy limit, \$100,000 each employee.

(e) Reserved

(f) **Umbrella Liability:** Excess/umbrella liability insurance may be included to meet minimum requirements. Umbrella coverage must indicate the existing underlying insurance coverage.

(g) **Claims Made:** Not acceptable with the exception of Professional Liability when specified.

(h) Reserved

38. **Headings.** The headings given to the sections in the Contract are inserted only for convenience and are in no way to be construed as part of the Contract or as a limitation of the scope of the particular section to which the heading refers.

39. **Number and Gender.** Whenever the context so requires, the plural or singular shall include each other and the use of any gender shall include all genders.

40. **Parties.** To the extent that any Contractor Party is to participate or Perform in any way, directly or indirectly in connection with the Contract, any reference in the Contract to

Contract # 19PSX0131

Contract Document

SP-50 Rev. 5/14/19

Prev. Rev. 11/21/18

“Contractor” shall also be deemed to include “Contractor Parties,” as if such reference had originally specifically included “Contractor Parties” since it is the parties’ intent for the terms “Contractor Parties” to be vested with the same respective rights and obligations as the term “Contractor.”

41. Contractor Changes. The Contractor shall notify DAS in writing no later than ten (10) Days from the effective date of any change in:

- a. its certificate of incorporation or other organizational document;
- b. more than a controlling interest in the ownership of the Contractor; or
- c. the individual(s) in charge of the Performance.

This change shall not relieve the Contractor of any responsibility for the accuracy and completeness of the Performance. DAS, after receiving written notice by the Contractor of any such change, may require such agreements, releases and other instruments evidencing, to DAS’s satisfaction, that any individuals retiring or otherwise separating from the Contractor have been compensated in full or that provision has been made for compensation in full, for all work performed under terms of the Contract. The Contractor shall deliver such documents to DAS in accordance with the terms of DAS’s written request. DAS may also require, and the Contractor shall deliver, a financial statement showing that solvency of the Contractor is maintained. The death of any Contractor Party, as applicable, shall not release the Contractor from the obligation to Perform under the Contract; the surviving Contractor Parties, as appropriate, must continue to Perform under the Contract until Performance is fully completed.

42. Further Assurances. The parties shall provide such information, execute and deliver any instruments and documents and take such other actions as may be necessary or reasonably requested by the other party which are not inconsistent with the provisions of this Contract and which do not involve the vesting of rights or assumption of obligations other than those provided for in the Contract, in order to give full effect to the Contract and to carry out the intent of the Contract.

43. Audit and Inspection of Plants, Places of Business and Records.

- (a) The State and its agents, including, but not limited to, the Connecticut Auditors of Public Accounts, Attorney General and State’s Attorney and their respective agents, may, at reasonable hours, inspect and examine all of the parts of the Contractor’s and Contractor Parties’ plants and places of business which, in any way, are related to, or involved in, the performance of this Contract.
- (b) The Contractor shall maintain, and shall require each of the Contractor Parties to maintain, accurate and complete Records. The Contractor shall make all of its and the Contractor Parties’ Records available at all reasonable hours for audit and inspection by the State and its agents.
- (c) The State shall make all requests for any audit or inspection in writing and shall provide the Contractor with at least twenty-four (24) hours’ notice prior to the requested audit and inspection date. If the State suspects fraud or other abuse, or in the event of an emergency, the State is not obligated to provide any prior notice.

Contract # 19PSX0131

Contract Document

SP-50 Rev. 5/14/19

Prev. Rev. 11/21/18

- (d) The Contractor will pay for all costs and expenses of any audit or inspection which reveals information that, in the sole determination of the State, is sufficient to constitute a breach by the Contractor under this Contract. The Contractor will remit full payment to the State for such audit or inspection no later than 30 days after receiving an invoice from the State. If the State does not receive payment within such time, the State may setoff the amount from any moneys which the State would otherwise be obligated to pay the Contractor in accordance with this Contract's Setoff provision.
 - (e) The Contractor shall keep and preserve or cause to be kept and preserved all of its and Contractor Parties' Records until three (3) years after the latter of (i) final payment under this Contract, or (ii) the expiration or earlier termination of this Contract, as the same may be modified for any reason. The State may request an audit or inspection at any time during this period. If any Claim or audit is started before the expiration of this period, the Contractor shall retain or cause to be retained all Records until all Claims or audit findings have been resolved.
 - (f) The Contractor shall cooperate fully with the State and its agents in connection with an audit or inspection. Following any audit or inspection, the State may conduct and the Contractor shall cooperate with an exit conference.
 - (g) The Contractor shall incorporate this entire Section verbatim into any contract or other agreement that it enters into with any Contractor Party.
44. Background Checks. The Contractor and Contractor Parties shall submit to and incur the cost of fingerprint supported federal and state criminal history background checks as may be required by the State, the State of Connecticut Department of Emergency Services and Public Protection, or as provided for in any State document that governs procedures for background checks. The Contractor and Contractor Parties shall cooperate fully as necessary or reasonably requested with the State and its agents in connection with such background checks.
45. Continued Performance. The Contractor and Contractor Parties shall continue to Perform their obligations under the Contract while any dispute concerning the Contract is being resolved.
46. Working and Labor Synergies. The Contractor shall be responsible for maintaining a tranquil working relationship between the Contractor work force, the Contractor Parties and their work force, State employees, and any other contractors present at the work site. The Contractor shall quickly resolve all labor disputes which result from the Contractor's or Contractor Parties' presence at the work site, or other action under their control. Labor disputes shall not be deemed to be sufficient cause to allow the Contractor to make any claim for additional compensation for cost, expenses or any other loss or damage, nor shall those disputes be deemed to be sufficient reason to relieve the Contractor from any of its obligations under the Contract.
47. Contractor Responsibility.
- (a) The Contractor shall be responsible for the entire Performance under the Contract regardless of whether the Contractor itself performs. The Contractor shall be the sole point of contact concerning the management of the Contract, including Performance and payment issues. The Contractor is solely and completely responsible for adherence by the Contractor Parties to all applicable provisions of the Contract.

Contract # 19PSX0131

Contract Document

SP-50 Rev. 5/14/19

Prev. Rev. 11/21/18

(b) The Contractor shall exercise all reasonable care to avoid damage to the State's property or to property being made ready for the State's use, and to all property adjacent to any work site. The Contractor shall promptly report any damage, regardless of cause, to the State.

48. Severability. If any term or provision of the Contract or its application to any person, entity or circumstance shall, to any extent, be held to be invalid or unenforceable, the remainder of the Contract or the application of such term or provision shall not be affected as to persons, entities or circumstances other than those as to whom or to which it is held to be invalid or unenforceable. Each remaining term and provision of the Contract shall be valid and enforced to the fullest extent possible by law.

49. Confidential Information. The State will afford due regard to the Contractor's request for the protection of proprietary or confidential information which the State receives. However, all materials associated with the Bid and the Contract are subject to the terms of the Connecticut Freedom of Information Act ("FOIA") and all corresponding rules, regulations and interpretations. In making such a request, the Contractor may not merely state generally that the materials are proprietary or confidential in nature and not, therefore, subject to release to third parties. Those particular sentences, paragraphs, pages or sections that the Contractor believes are exempt from disclosure under the FOIA must be specifically identified as such. Convincing explanation and rationale sufficient to justify each exemption consistent with the FOIA must accompany the request. The rationale and explanation must be stated in terms of the prospective harm to the competitive position of the Contractor that would result if the identified material were to be released and the reasons why the materials are legally exempt from release pursuant to the FOIA. To the extent that any other provision or part of the Contract, especially including the Bid, the Records and the specifications, conflicts or is in any way inconsistent with this section, this section controls and shall apply and the conflicting provision or part shall not be given effect. If the Contractor indicates that certain documentation is submitted in confidence, by specifically and clearly marking said documentation as CONFIDENTIAL, DAS will endeavor to keep said information confidential to the extent permitted by law. DAS, however, has no obligation to initiate, prosecute or defend any legal proceeding or to seek a protective order or other similar relief to prevent disclosure of any information that is sought pursuant to a FOIA request. The Contractor shall have the burden of establishing the availability of any FOIA exemption in any proceeding where it is an issue. In no event shall DAS or the State have any liability for the disclosure of any documents or information in its possession which the State or DAS believes are required to be disclosed pursuant to the FOIA or other requirements of law.

50. References to Statutes, Public Acts, Regulations, Codes and Executive Orders.

All references in this Contract to any statute, public act, regulation, code or executive order shall mean such statute, public act, regulation, code or executive order, respectively, as it has been amended, replaced or superseded at any time. Notwithstanding any language in this Contract that relates to such statute, public act, regulation, code or executive order, and notwithstanding a lack of a formal amendment to this Contract, this Contract shall always be read and interpreted as if it contained the most current and applicable wording and requirements of such statute, public act, regulation, code or executive order as if their most current language had been used in and requirements incorporated into this Contract at the time of its execution.

51. Cross-Default.

Contract # 19PSX0131

Contract Document

SP-50 Rev. 5/14/19

Prev. Rev. 11/21/18

- (a) If the Contractor or Contractor Parties breach, default or in any way fail to Perform satisfactorily under the Contract, then DAS may, in its sole discretion, without more and without any action whatsoever required of the State, treat any such event as a breach, default or failure to perform under any or all other agreements or arrangements (“Other Agreements”) that the Contractor or Contractor Parties have with DAS. Accordingly, DAS may then exercise at its sole option any and all of its rights or remedies provided for in the Contract or Other Agreements, either selectively or collectively and without such election being deemed to prejudice any rights or remedies of DAS, as if the Contractor or Contractor Parties had suffered a breach, default or failure to perform under the Other Agreements.
- (b) If the Contractor or Contractor Parties breach, default or in any way fail to Perform satisfactorily under any or all Other Agreements with DAS or the State, then DAS may, in its sole discretion, without more and without any action whatsoever required of the State, treat any such event as a breach, default or failure to Perform under the Contract. Accordingly, the State may then exercise at its sole option any and all of its rights or remedies provided for in the Other Agreements or the Contract, either selectively or collectively and without such election being deemed to prejudice any rights or remedies of DAS or the State, as if the Contractor or Contractor Parties had suffered a breach, default or failure to Perform under the Contract.
52. Disclosure of Records. This Contract may be subject to the provisions of section 1-218 of the Connecticut General Statutes. In accordance with this statute, each contract in excess of two million five hundred thousand dollars between a public agency and a person for the performance of a governmental function shall (a) provide that the public agency is entitled to receive a copy of records and files related to the performance of the governmental function, and (b) indicate that such records and files are subject to FOIA and may be disclosed by the public agency pursuant to FOIA. No request to inspect or copy such records or files shall be valid unless the request is made to the public agency in accordance with FOIA. Any complaint by a person who is denied the right to inspect or copy such records or files shall be brought to the Freedom of Information Commission in accordance with the provisions of sections 1-205 and 1-206 of the Connecticut General Statutes.
53. Summary of State Ethics Laws. Pursuant to the requirements of section 1-101qq of the Connecticut General Statutes, the summary of State ethics laws developed by the State Ethics Commission pursuant to section 1-81b of the Connecticut General Statutes is incorporated by reference into and made a part of the Contract as if the summary had been fully set forth in the Contract.
54. Sovereign Immunity. The parties acknowledge and agree that nothing in the Invitation to Bid or the Contract shall be construed as a modification, compromise or waiver by the State of any rights or defenses of any immunities provided by Federal law or the laws of the State of Connecticut to the State or any of its officers and employees, which they may have had, now have or will have with respect to all matters arising out of the Contract. To the extent that this section conflicts with any other section, this section shall govern.
55. Time of the Essence. Time is of the essence with respect to all provisions of this Contract that specify a time for performance; provided, however, that this provision shall not be construed to limit or deprive a party of the benefits of any grace or use period allowed in this Contract.
56. Reserved.

Contract # 19PSX0131

Contract Document

SP-50 Rev. 5/14/19

Prev. Rev. 11/21/18

57. Campaign Contribution Restriction. For all State contracts as defined in Conn. Gen. Stat. § 9-612(g)(1) having a value in a calendar year of \$50,000 or more or a combination or series of such agreements or contracts having a value of \$100,000 or more, the authorized signatory to this Contract expressly acknowledges receipt of the State Elections Enforcement Commission's notice advising state contractors of state campaign contribution and solicitation prohibitions, and will inform its principals of the contents of the notice, as set forth in "Notice to Executive Branch State Contractors and Prospective State Contractors of Campaign Contribution and Solicitation Limitations," attached as Exhibit C.

58. Reserved.

59. Protection of Confidential Information.

(a) Contractor and Contractor Parties, at their own expense, have a duty to and shall protect from a Confidential Information Breach any and all Confidential Information which they come to possess or control, wherever and however stored or maintained, in a commercially reasonable manner in accordance with current industry standards.

(b) Each Contractor or Contractor Party shall develop, implement and maintain a comprehensive data - security program for the protection of Confidential Information. The safeguards contained in such program shall be consistent with and comply with the safeguards for protection of Confidential Information, and information of a similar character, as set forth in all applicable federal and state law and written policy of DAS or State concerning the confidentiality of Confidential Information. Such data-security program shall include, but not be limited to, the following:

(1)A security policy for employees related to the storage, access and transportation of data containing Confidential Information;

(2)Reasonable restrictions on access to records containing Confidential Information, including access to any locked storage where such records are kept;

(3)A process for reviewing policies and security measures at least annually;

(4)Creating secure access controls to Confidential Information, including but not limited to passwords; and

(5)Encrypting of Confidential Information that is stored on laptops, portable devices or being transmitted electronically.

(c) The Contractor and Contractor Parties shall notify DAS, the Client Agency and the Connecticut Office of the Attorney General as soon as practical, but no later than twenty-four (24) hours, after they become aware of or suspect that any Confidential Information which Contractor or Contractor Parties have come to possess or control has been subject to a Confidential Information Breach. If a Confidential Information Breach has occurred, the Contractor shall, within three (3) business days after the notification, present a credit monitoring and protection plan to the Commissioner of Administrative Services, the Client Agency and the Connecticut Office of the Attorney General, for review and approval. Such credit monitoring or protection plan shall be made available by the Contractor at its own

Contract # 19PSX0131

Contract Document

SP-50 Rev. 5/14/19

Prev. Rev. 11/21/18

cost and expense to all individuals affected by the Confidential Information Breach. Such credit monitoring or protection plan shall include, but is not limited to reimbursement for the cost of placing and lifting one (1) security freeze per credit file pursuant to Connecticut General Statutes § 36a-701a. Such credit monitoring or protection plans shall be approved by the State in accordance with this Section and shall cover a length of time commensurate with the circumstances of the Confidential Information Breach. The Contractors' costs and expenses for the credit monitoring and protection plan shall not be recoverable from DAS, the Client Agency, any State of Connecticut entity or any affected individuals.

(d) The Contractor shall incorporate the requirements of this Section in all subcontracts requiring each Contractor Party to safeguard Confidential Information in the same manner as provided for in this Section.

(e) Nothing in this Section shall supersede in any manner Contractor's or Contractor Party's obligations pursuant to HIPAA or the provisions of this Contract concerning the obligations of the Contractor as a Business Associate of Covered Entity.

60. Antitrust.

Contractor hereby irrevocably assigns to the State of Connecticut all rights, title and interest in and to all Claims associated with this Contract that Contractor now has or may or will have and that arise under the antitrust laws of the United States, 15 USC Section 1, *et seq.* and the antitrust laws of the State of Connecticut, Connecticut General Statute § 35-24, *et seq.*, including but not limited to any and all Claims for overcharges. This assignment shall become valid and effective immediately upon the accrual of a Claim without any further action or acknowledgment by the parties.

61. Reserved.

EXHIBIT A

POLE LINE HARDWARE

DESCRIPTION OF GOODS & SERVICES AND ADDITIONAL TERMS & CONDITIONS

1. DESCRIPTION OF GOODS AND SERVICES:

(a) Specifications for Pole Line Hardware (“Aluminum Light Poles”):

1. **General:** Each light standard with appurtenances attached thereto must be fabricated of aluminum alloy, designed and constructed in accordance with the most current requirements of the American Association of State Highway Transportation Officials (“AASHTO”) “Standard Specifications for Structural Support for Highway Signs, Luminaires and Traffic Signals”. Light standards with brackets and luminaires must be designed to withstand a wind speed of ninety (90) miles per hour (“mph”).
2. **Pole Arms:** Pole arms must be wraparound type with an upsweep design and accommodate a two inch (2”) slipfitter type luminaire, fabricated of tubular elliptical aluminum which after fabrication must have a mechanical strength not less than that of T-6 temper of 6063 and T-5 temper for 6005 alloy. The pole arms must be a truss-type for lengths ten feet (10’) and longer and consist of a single member for lengths shorter than ten feet (10’). The arms must be finished with a uniform surface having the natural color of aluminum and have a smooth uniform finish, free from disfiguring scratches, dents and similar markings. The maximum upsweep for brackets up to fifteen feet (15’) in length must not exceed three feet six inches (3’ 6”), for brackets twenty feet (25’) in length shall not exceed seven feet six inches (7’ 6”). Pole arm clamps must be designed so that they may be mounted back to back for twin arm installation. All wraparound brackets must be delivered fully assembled with bolts, nuts and washers in place and shall be American Society for Testing and Materials (“ASTM”) A 193 Grade B-8 stainless steel.
3. **Shafts:** Shafts must be fabricated of aluminum alloy 6-63-T6 or 6005-T5 as specified in AASHTO standard specifications, current edition. Each shaft must be seamless, tapered, single member, circular in cross section, fabricated in such a manner that each shaft-bracket connection accommodate single member wraparound type brackets 1.5 feet to 8 feet in length or wraparound truss-type brackets 10 feet (10’) to twenty five feet (25’) in length.

Aluminum Light Pole diameter and wall thickness must be as follows:

Single arm:	30 ft. length, 8” x 6” .188 wall
	35 ft. length, 8” x 6” .250 wall
	40 ft. length, 10” x 6” .188 wall
	50 ft. length, 10” x 6” .312 wall
Twin arm:	30 ft. length, 8” x 6” .312 wall
	35 ft. length, 10” x 6” .250 wall
	40 ft. length, 10” x 6” .312 wall
	50 ft. length, 10” x 6” .312 wall with 12” reinforcing sleeve

EXHIBIT A

POLE LINE HARDWARE

DESCRIPTION OF GOODS & SERVICES AND ADDITIONAL TERMS & CONDITIONS

The light standard shoe base must be designed to bolt to a standard transformer base of the following dimensions (depending on the pole shaft diameter used):

- TB1-17" Base: Shoe base bolt circle between 10 ½" to 13 ½"
- TB3-17" Base: Shoe base bolt circle between 13" to 15"
- TB4-20" Base: Shoe base bolt circle between 13" to 18"
- TB4-24" Base: Shoe base bolt circle between 13" to 18" (non-breakaway)

All screws, nuts, bolts, washers and miscellaneous hardware used to assemble the light standards, bases and brackets must be B-8 stainless steel. Each anchor base must have the hand hole frame or anchor base tapped for bonding. Each anchor base must be designed to current AASHTO specifications and be identified as such with visible markings. All castings must be clean and smooth with all details well defined and true to pattern.

Each pole must be provided with an aluminum pole cap and an internal vibration damper, factory installed, location and size as determined by the pole manufacturer.

Each pole shaft shall have wiring access holes drilled into the shaft at the height of the bracket arms as follows: Each shaft must have a 1-1/2" diameter hole with a 1-1/4" I.D. rubber grommet installed approximately 8" from the top of the traffic flow side the shaft. Shafts for double arm poles must have two (2) holes and grommets.

The shaft must be finished with a uniform surface having the natural color of aluminum. The shaft must have a smooth, uniform finish, free from disfiguring scratches, dents and similar markings.

Each shaft must be furnished with two (2) standard shims, one 1/8" and one 1/16" and include washers.

Truss Arm Caps: End caps must be furnished on the lower truss arm and be fabricated of an aluminum alloy.

4. Aluminum Breakaway Transformer Bases: The transformer base must be cast from aluminum conforming to ASTM-B-108 or B-26 to A356 or 356 Temper T-6. The door locking devices must be of stainless steel.

Transformer base must be certified as meeting the breakaway criteria and structural requirements as set by the most current AASHTO, "Standard Specifications for Structural Support for Highway Signs, Luminaires, and Traffic Signals", (Section 7 – Breakaway supports and amendments thereto), unless otherwise noted.

The transformer base must be furnished with an aluminum access door having a minimum opening of nine and three quarters inches (9.75") by eleven and three quarter inches (11.75") and one drilled and tapped hole from grounding equipment. All castings must be clean and

EXHIBIT A

POLE LINE HARDWARE

DESCRIPTION OF GOODS & SERVICES AND ADDITIONAL TERMS & CONDITIONS

smooth with the letters ("*breakaway base*") label on the base. Each base shall be furnished with two (2) shims, one (1) 1/8" and one (1) 1/16", and also include the attaching washers to the concrete base that is required to meet the AASHTO breakaway standard.

Aluminum breakaway transformer bases are intended to be used for street light poles with thirty (30) to fifty (50) feet mounting height with a maximum bracket length of twenty-five feet (25'). Breakaway transformer bases must be installed in locations exposed to vehicular collisions.

5. Hand Hole: Each anchor base light standard must have a handhold with a reinforced frame and cover approximately 4" x 6" located approximately 12" up from the base of the pole and placed 90 degrees from the bracket arm on the far side of the traffic flow.
6. Certification: Contractor shall certify on catalog cuts or shop drawings that the shaft or bracket arm with appurtenances, conforms to all pertinent requirements of AASHTO "Standard Specifications for Highway Signs, Luminaires and Traffic Signals" and in accordance with the latest edition of American Welding Society as specified under AASHTO, Section 5, Article 1.5.5 Fabrication of Welded Aluminum Structure.

(b) Specifications for Pole Line Hardware ("Fiberglass Light Poles"):

1. General: Fiberglass Light Poles must be fiberglass reinforced composite, designed to withstand ninety (90) mph wind speed per AASHTO "Standard Specifications for Structural Support for Highway Signals". Fiberglass Light Poles must be designed for direct burial and meet the 1985 AASHTO breakaway standards.
2. Pole Shaft: The shaft must be fiberglass reinforced plastic ("FRP"). The pole shaft must be constructed by the filament winding process using glass filaments continuously impregnated with thermos-setting, color pigmented polyester resin. The resin must be uniformly pigmented to match the final grey color of the finished FRP pole. The pole must contain solid coloration throughout the entire wall thickness and contain ultraviolet ("UV") inhibitors. The pole must contain a minimum of sixty five percent (65%) fiberglass by weight when finished. The pole shall be round, tapered, hollow, and reinforced in the support arm and hardware attachment areas. The butt end must be enlarged so as to provide resistance to rotation and pull out. The pole must be non-conductive and chemically inert. The direct burial pole must provide a thirty foot (30') mounting height with a shaft length of thirty two feet (32'). The round tapered pole shaft must have a bottom diameter of 8.4" and a top diameter of 4/7". The pole shaft must come equipped with a direct burial base in which the shaft is inserted providing breakaway capability. The pole must meet the 1985 AASHTO breakaway standards and designed to withstand ninety (90) mph winds.
3. Pole Top Cap: A cast aluminum removable cap must be securely mounted to the top of the pole. The cap must be corrosion resistant and must remain in place when subjected to the maximum wind loading for which the pole is designed.
4. Bracket Attachment: The top of the pole must be pre-drilled for two (2) 5/8" thru bolts on 9-1/2" centers starting four inches (4") below the top of the pole. A 1-1/2" wire exit hole must be centered 1/2 the distance between the two (2) holes.

EXHIBIT A

POLE LINE HARDWARE

DESCRIPTION OF GOODS & SERVICES AND ADDITIONAL TERMS & CONDITIONS

5. Bracket Arms: Arms must be twelve feet (12') in length (single member) of an upsweep design fabricated from tubular aluminum. The luminaire end must have a 2-3/8" outside diameter.
6. Finish: The pole exterior surface must be grey with a natural (textured) finish. The surface of the pole must be uniform for the entire length of the pole. The pole must be laminated and the laminate must contain colored pigment, the color of the final coating and be of uniform color throughout the entire wall thickness of the pole. A coating must be applied to the pole to maintain surface integrity against the damaging effects of sunlight and extremes in weather. The coating is to be highly weather resistant pigmented polyurethane. The coating thickness must have a minimum dry film thickness of 1-1/2 mils.
7. Strength: The pole (with luminaire) must be designed to withstand a wind speed of ninety (90) mph. Contractor shall provide a manufacturer certification attesting that each Fiberglass Light Pole supplied (per this specification) meets ninety (90) mph wind load requirements and 1985 AASHTO breakaway standards.
8. Weight: The minimum pole weight must be one hundred thirty (130) pounds.
9. Marketing: Each pole must be permanently marked in characters 3/16" minimum size on a brass or stainless steel plate with the manufacturer's identification symbol, month and year of manufacturer.
10. Shipping: Each pole must be individually spiral wrapped with crepe paper and overwrapped with plastic shrink film for protection during shipping and storage. The wrapping must incorporate a zip string running the entire length for ease in removing the wrapping.
11. Certification: Contractor shall certify on the catalog cuts and/or shop drawings that the Fiberglass Light Pole is designed to withstand ninety (90) mph wind speed per AASHTO "Standard Specifications for Structural Support for Highway Signs, Luminaires and Traffic Signals" and that the fiberglass light pole must meet the 1985 AASHTO breakaway standards.

2. SPECIAL REQUIREMENTS:

(a) FORM 816:

1. All items offered must meet Client Agency specifications per FORM 816, "Standard Specifications for Roads, Bridges and Incidental Construction" ("FORM 816"). Copies of FORM 816 may be purchased from:

State of Connecticut
Department of Transportation
Manager of Contracts
P.O. Box 317546
2800 Berlin Turnpike
Newington CT 06131-07546

The price is twenty dollars (\$20.00). Checks must be made out to: Treasurer – State of Connecticut.

FORM 816 is located in the following website, as may be modified from time to time:

<https://www.ct.gov/dot/cwp/view.asp?a=3609&q=430362>

EXHIBIT A

POLE LINE HARDWARE

DESCRIPTION OF GOODS & SERVICES AND ADDITIONAL TERMS & CONDITIONS

- (b) Shipments: All deliveries must be accompanied by a packing slip. The packing slip must reference the applicable Client Agency purchase order number, the delivery location, quantity of the item(s) delivered and the Contractor's invoice number.

A properly executed NOTARIZED MATERIALS CERTIFICATE and CERTIFIED TEST REPORT in accordance with Section 1.06.07 of FORM 816 must accompany each shipment. Failure to comply may result in rejection of delivery and the Contractor shall assume all shipping costs back to the Contractor's facility.

- (c) Delivery: The Contractor shall make all deliveries in such quantities as indicated on each Client Agency purchase order. Client Agency's primary delivery locations, if the Client Agency is ConnDOT, are as follows:

DOT 33	100 Chase River Road	Waterbury CT 06714	Phone: 860 596-4219
DOT 38	501 Goff Road	Wethersfield CT 06109	Phone: 860 529-7233
DOT 88	660 Brook Street	Rocky Hill CT 06067	Phone: 860 258-1977
DOT 90	44 Banner Drive	Milford CT 06460	Phone: 203 877-1870
DOT 92	660 Middlesex Turnpike	Old Saybrook CT 06475	Phone: 860 388-0347

Routine Client Agency receiving times, if the Client Agency is ConnDOT, are 8:00 a.m. to 2:30 p.m., Monday through Friday. The Contractor shall be responsible for the delivery of all material in new condition.

- (d) Warranty: All items, products, parts, supplies and accessories provided by the Contractor must be warranted against defects in material and/or workmanship for a minimum of one (1) year or manufacturer's standard warranty, whichever is longer. The warranty must provide the full replacement cost of the part(s) and supplies required as replacement of any and all defective part(s) and supplies and also include replacement costs associated to any and all labor, packing, handling, shopping and other costs incurred to replace the defective parts and supplies, at no-cost to the Client Agency. Any defective or damaged Goods must be immediately replaced. The Contractor shall be responsible for all aspects of warranty administration and shall ensure that Service is performed according to warranty procedures.

3. ADDITIONAL TERMS AND CONDITIONS:

- (a) Contract Separately/Additional Savings Opportunities:
DAS reserves the right to either seek additional discounts from the Contractor or to contract separately for a single purchase, if in the judgment of DAS, the quantity required is sufficiently large, to enable the State to realize a cost savings, over and above the prices set forth in Exhibit B, whether or not such a savings actually occurs.

EXHIBIT A

POLE LINE HARDWARE

DESCRIPTION OF GOODS & SERVICES AND ADDITIONAL TERMS & CONDITIONS

(b) Mandatory Extension to State Entities:

Contractor shall offer and extend the Contract (including pricing, terms and conditions) to political sub-divisions of the State (which includes towns and municipalities), schools, and not-for-profit organizations.

(c) Purchase Orders:

All questions pertaining to purchase orders issued by the Client Agency, if the Client Agency is ConnDOT, must be directed to the Client Agency's Processing Unit by calling 860 594-2070.

(d) Purchasing MasterCard Credit Card ("PCard"):

Notwithstanding the provisions of Section 4(b)(2) of the Contract, purchases may be made using the State of Connecticut Purchasing Card in accordance with Memorandum No. 2011-11 issued by the Office of the State Comptroller.

Contractor shall be equipped to receive orders issued by the Client Agency using the PCard. The Contractor shall be responsible for the credit card user-handling fee associated with PCard purchases. The Contractor shall charge to the PCard only upon acceptance of Goods delivered to the Client Agency or the rendering of Services.

The Contractor shall capture and provide to its merchant bank, Level 3 reporting at the line item level for all orders placed by the PCard.

Questions regarding the state of Connecticut PCard Program may be directed to Ms. Kerry DiMatteo, Procurement Card Program Administrator at 860-713-5072.

(e) Invoicing:

Payment and invoicing inquiries relative to Client Agency issued purchase orders, if the Client Agency is the ConnDOT, must be directed to the Client Agency's Accounts Payable Unit at 860 594-2305. All invoices must include the following information for proper processing. Payments may be delayed if the invoice is not properly completed in accordance with the instruction noted below:

- i. Contractor F.E.I.N. or social security number,
- ii. Complete Contractor name and billing address,
- iii. Project number, if applicable,
- iv. Invoice number and date,
- v. Purchase order number,
- vi. Itemized description of services and/or materials supplied,
- vii. Adjustments, if applicable,
- viii. Quantity, unit of measure, unit price and extended amount,
- ix. Ticket numbers corresponding to each invoice must be listed or attached to the company invoice as a separate sheet; if applicable, and
- x. Work periods and traffic control prices must be itemized, if applicable.

EXHIBIT A

POLE LINE HARDWARE

DESCRIPTION OF GOODS & SERVICES AND ADDITIONAL TERMS & CONDITIONS

For prompt payment processing, invoice shall be made out to the following address:

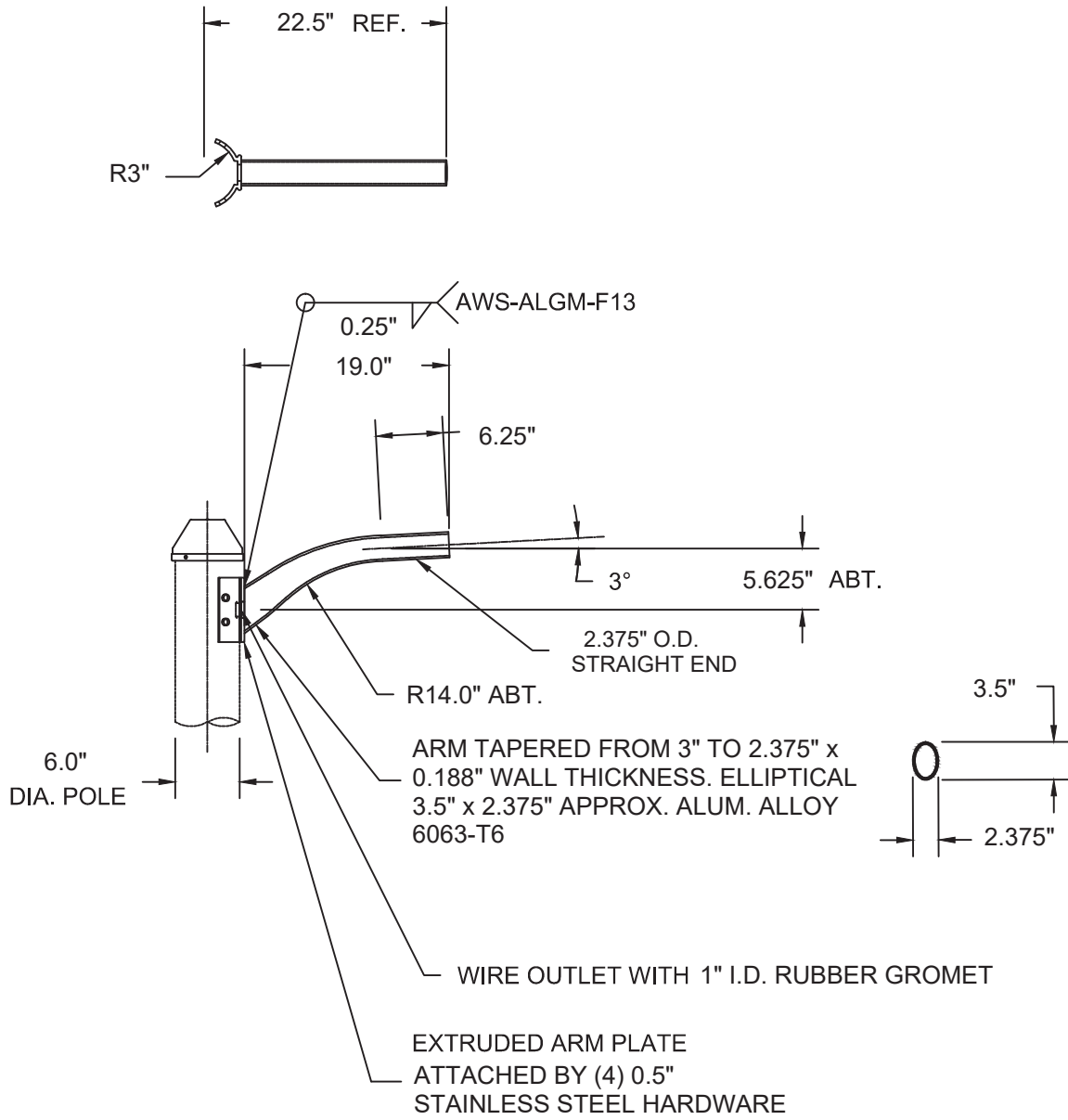
State of Connecticut
Department of Transportation
Bureau of Finance and Administration
Attn: Accounts Payable SW1A
P.O. Box 317546
Newington CT 06131-7546

(f) Subcontractors:

DAS must approve any and all subcontractors utilized by the Contractor in writing prior to any such subcontractor commencing any work. Contractor acknowledges that any work provided under the Contract to any state entity is work conducted on behalf of the State and that the Commissioner of DAS or his/her designee may communicate directly with any subcontractor as the State deems to be necessary or appropriate. Contractor shall be responsible for all payment or fees charged by the subcontractor(s). A performance evaluation of any subcontractor shall be provided promptly by the Contractor to DAS upon request.

(g) Security and/or Property Entrance Policies and Procedures:

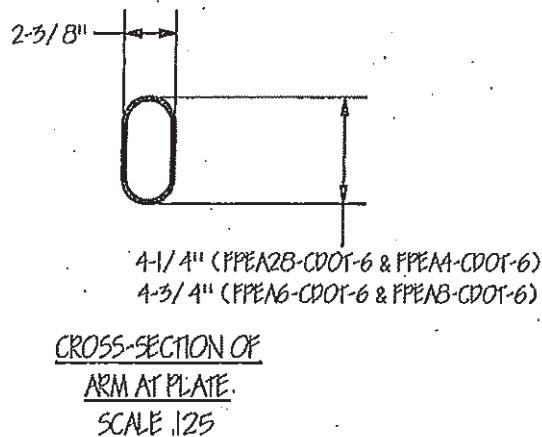
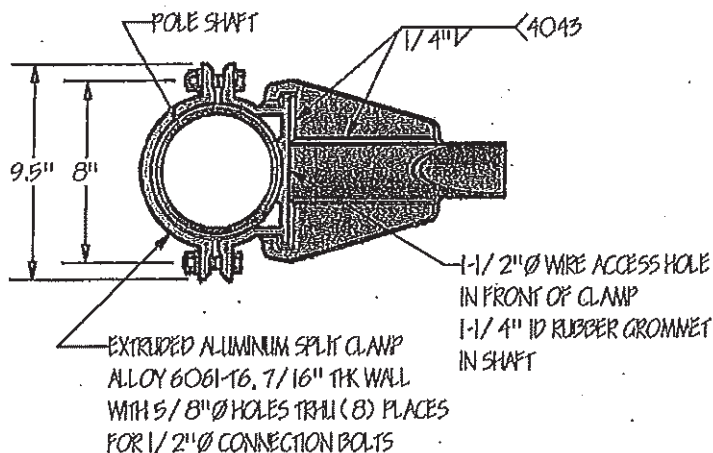
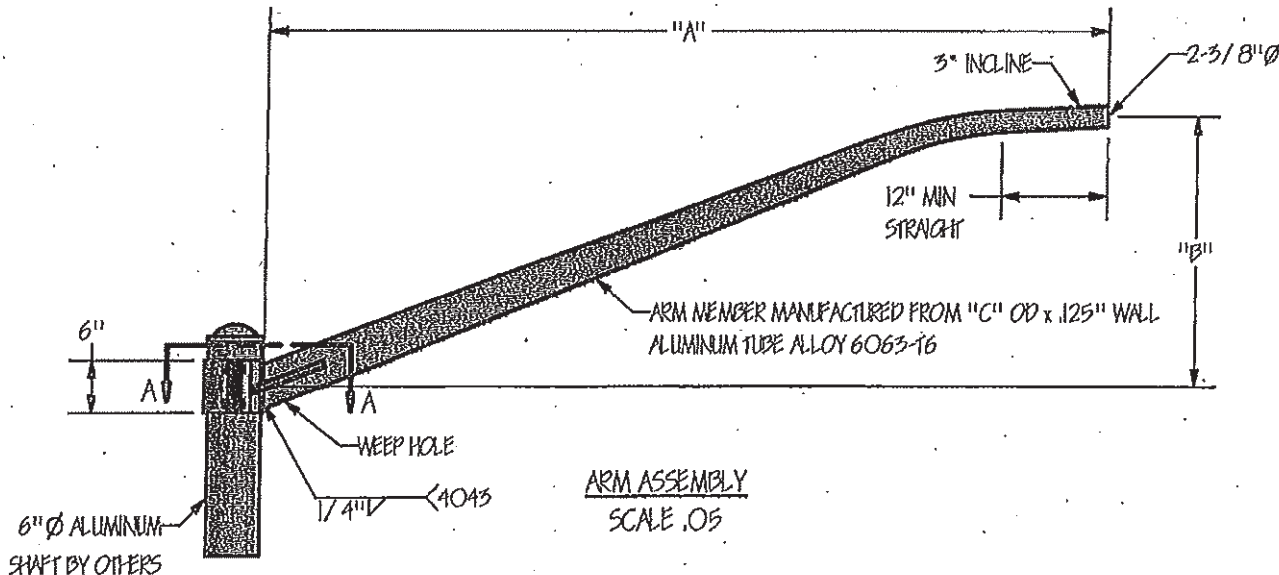
Contractor shall adhere to established security or property entrance policies and procedures or both for each requesting Client Agency. It is the responsibility of each Contractor to understand and adhere to those policies and procedures prior to any attempt to enter any Client Agency premises for the purpose of carrying out the scope of work described in this Contract.



CONNECTICUT DOT
ELLIPTICAL CLAMP-ON SINGLE MEMBER ARM
FOR ALUMINUM POLES (6" DIA SHAFT 4' TO
8' REACH)

SCHEDULE OF DIMENSIONS					
CATALOG #	ITEM	QTY	A	B	C
PPEAA-CDOT-6	S02		4'	30"	3-1/2"
PPEA6-CDOT-6	S03		6'	30"	4"
PPEA8-CDOT-6	S04		8'	30"	4"

DESIGNED AND CONSTRUCTED IN ACCORDANCE
 WITH AASHTO-1994 REQUIREMENTS

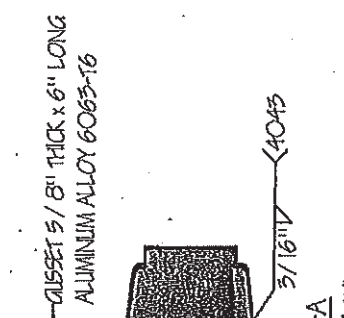
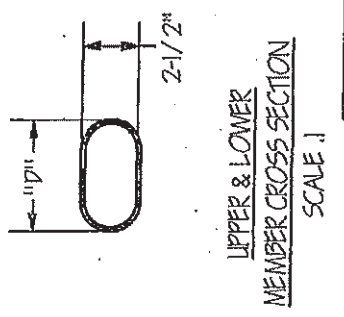
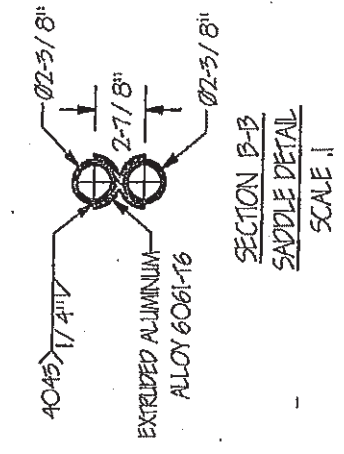
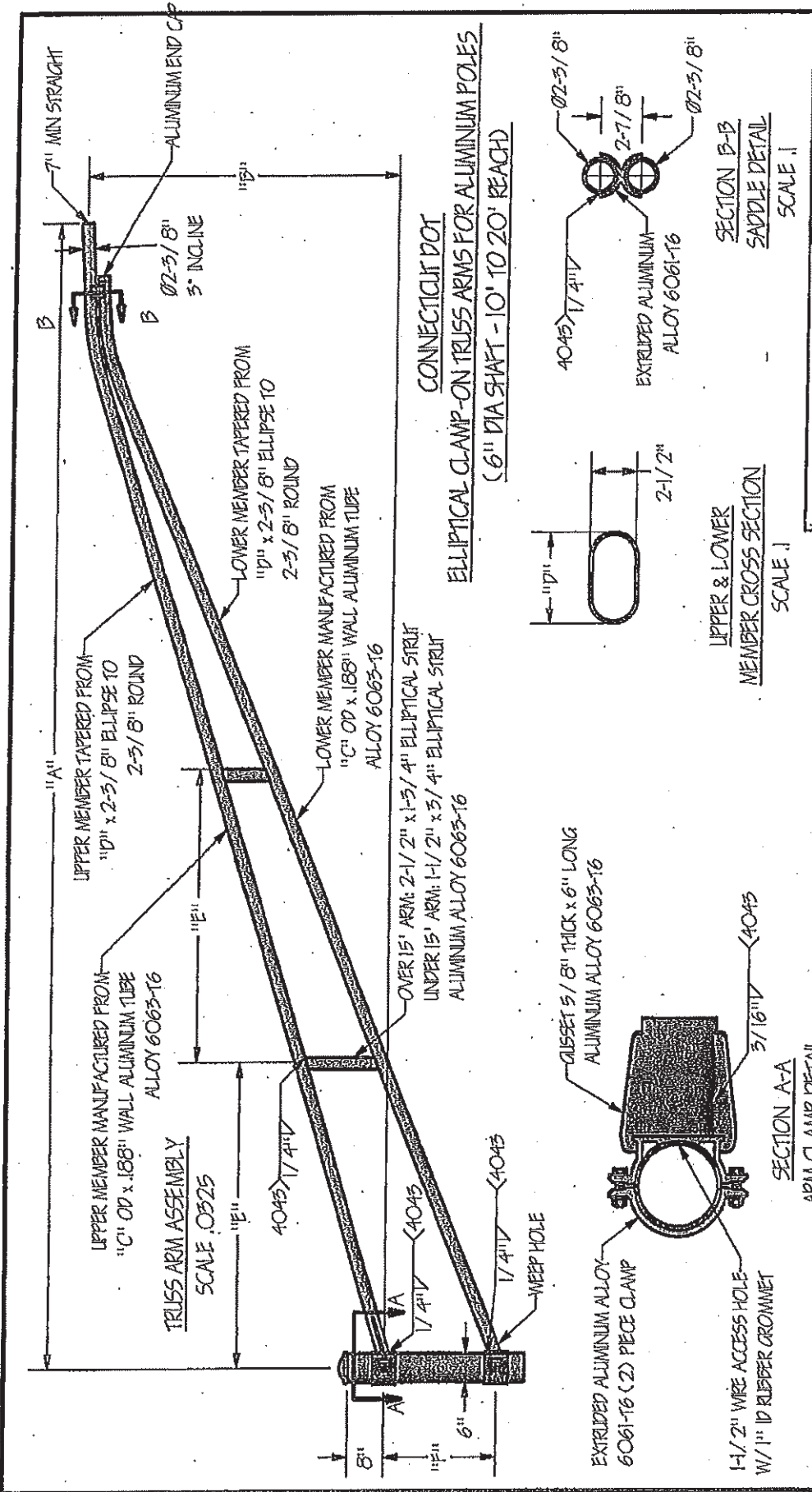


- HARDWARE REQUIRED**
W/ EA ARM ASSEMBLY
- (4) 1/2"-13 NC HEX BOLTS
 - (8) 1/2" FLATWASHERS
 - (4) 1/2" LOCKWASHERS
 - (4) 1/2"-13 NC HEX NUTS

NOTE: THIS ARM CLAMPS TO 6" OD TOP ALUMINUM LIGHT STANDARDS ONLY

IMPORTANT NOTE: DO NOT INSTALL THIS ARM WITHOUT LUMINAIRE

PROJECT: CDOT		DIST:	
CONTRACTOR:		AGENT:	
	DATE: 10/16/06	MATERIAL: AS NOTED	
	APP'D:	DRAWING #:	
SCALE: AS NOTED	WORK ORDER #:	8316	



CONNECTICUT DOT
ELLIPTICAL CLAMP-ON TRUSS ARMS FOR ALUMINUM POLES
(6" DIA SHAFT - 10' TO 20' REACH)

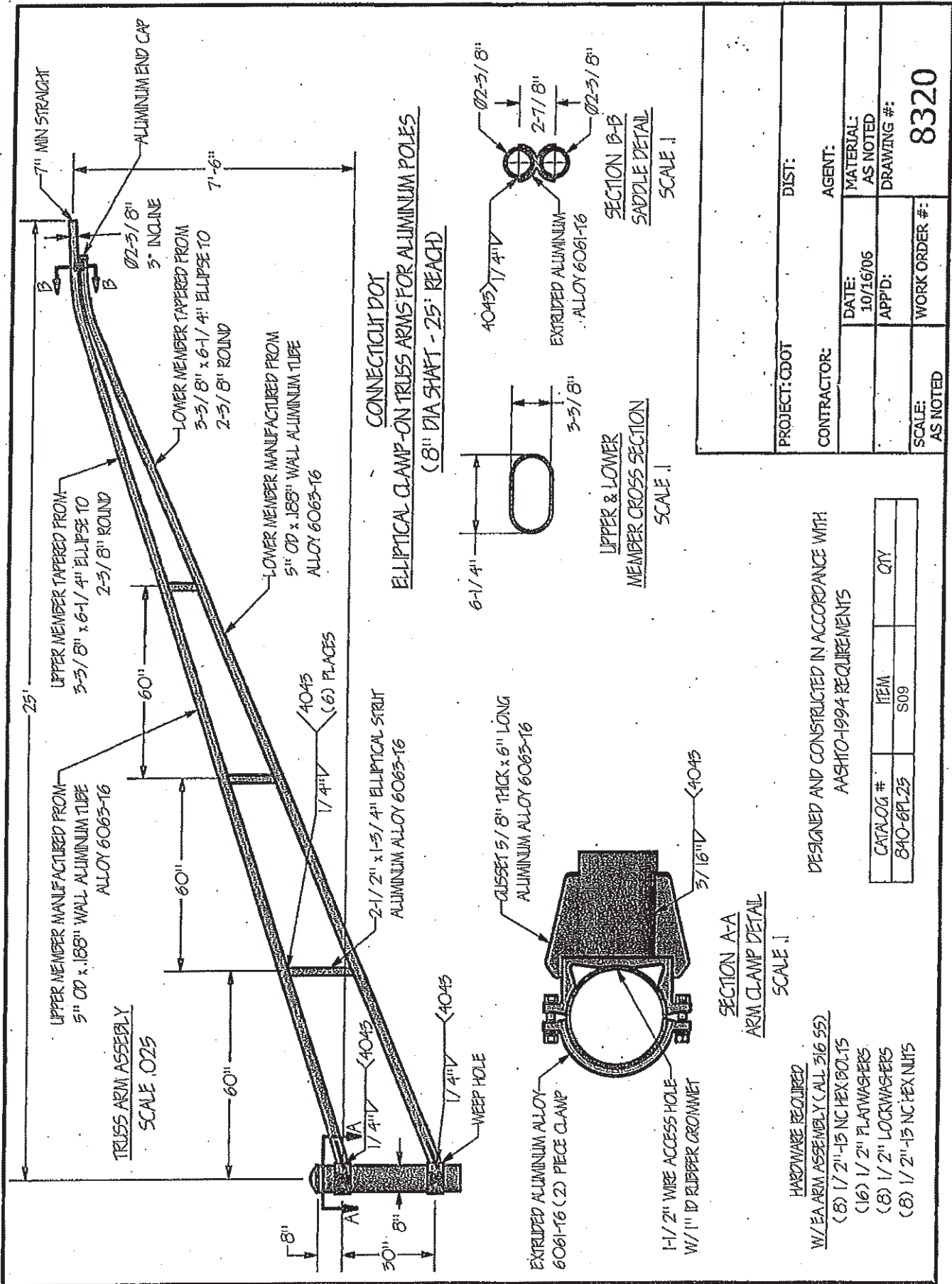
DESIGNED AND CONSTRUCTED IN ACCORDANCE WITH:
 AASHTO-1994 REQUIREMENTS

SCHEDULE OF DIMENSIONS

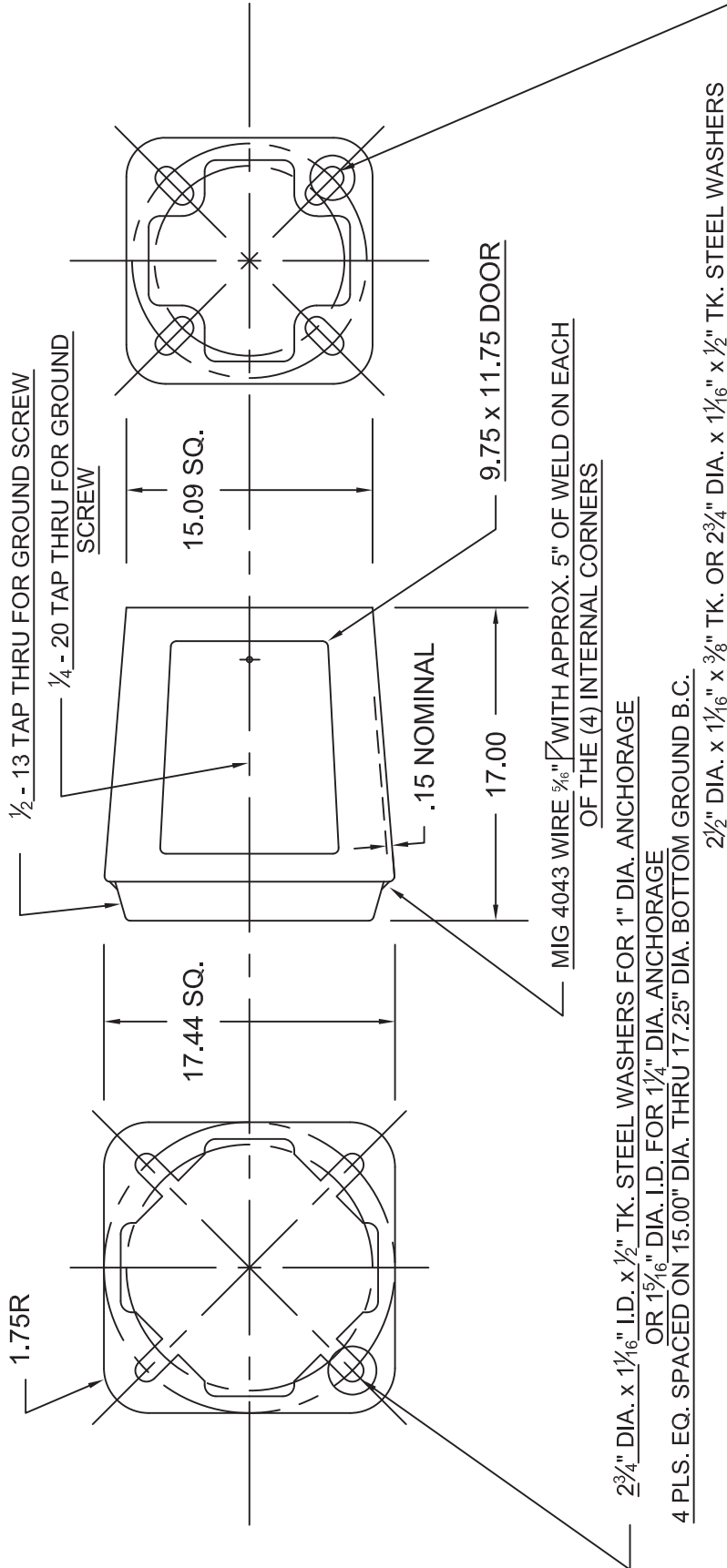
CATALOG #	ITEM	QTY	11" A'	11" B'	11" C'	11" D'	11" E'	11" F'
10CDOT-6	S05	10'	10'	56"	3"	3-1/2"	26"	18"
12CDOT-6	S06	12'	56"	36"	3-1/2"	4-1/4"	30"	18"
15CDOT-6	S08	15'	56"	36"	3-1/2"	4-1/4"	48"	18"
6AC-FL-20	S07	20'	66"	4	4	5-1/8"	60"	24"

- HARDWARE REQUIRED
W/ EA ARM ASSEMBLY (ALL 316 SS)
- (8) 1/2" - 13 NC HEX BOLTS
 - (16) 1/2" FLAT WASHERS
 - (8) 1/2" LOCK WASHERS
 - (8) 1/2" - 15 NC HEX NUTS

PROJECT: CDOT	DIST:
CONTRACTOR:	AGENT:
DATE: 10/15/05	MATERIAL: AS NOTED
APP'D:	DRAWING #: 8319
SCALE: AS NOTED	WORK ORDER #:



ITEM: S20



2 3/4" DIA. x 1 1/16" I.D. x 1/2" TK. STEEL WASHERS FOR 1" DIA. ANCHORAGE OR 1 5/16" DIA. I.D. FOR 1 1/4" DIA. ANCHORAGE
4 PLS. EQ. SPACED ON 15.00" DIA. THRU 17.25" DIA. BOTTOM GROUND B.C.

2 1/2" DIA. x 1 1/16" x 3/8" TK. OR 2 3/4" DIA. x 1 1/16" x 1/2" TK. STEEL WASHERS
4 PLS. EQ. SPACED ON 13.00" DIA. THRU 15.12" DIA. B.C.

WHEN ADDITIONAL STATIC LOADING IS REQUIRED ON 15.00" DIA. B.C. APPLICATIONS USE 5/8" x 2 3/4" x 4 1/4" RECTANGULAR STEEL WASHER UNDER 2 3/4" x 1 1/16" I.D. x 1/2" TK. WASHERS FOR 1" DIA. GROUND MOUNTING B.C.

DOOR SUPPLIED BLANK OR LOGO IN ALUMINUM

ST'D 1/4 - 20 S.S. HEX SCREW OR VANDAL SCREW TO FIT YOUR SPECIFICATIONS
ALL WASHERS TO BE ZINC MECHANICAL COATED PER ASTM B695-85 CLASS 50

356T-6 ALUMINUM ALLOY / S.S. WHEELABRATED FINISH CHEMICAL AND PHY. CERTS TO BE SUPPLIED WITH EACH SHIPMENT.

ADHESIVE BREAKAWAY AND CAUTION LABELS TO APPEAR
ON INSIDE WALL OPPOSITE DOOR OPENING

NOTE: (NOT INCLUDED.) 4 EA. 1" DIA. x 4" LONG ASTM A325 HEX HEAD
CAP SCREWS, GALV. PER ASTM A153 W/ ALL FLATWASHERS,
LOCKWASHERS, NUTS AND SHIMS REQ'D.
(FOR POLE-TO-BASE CONNECTION)

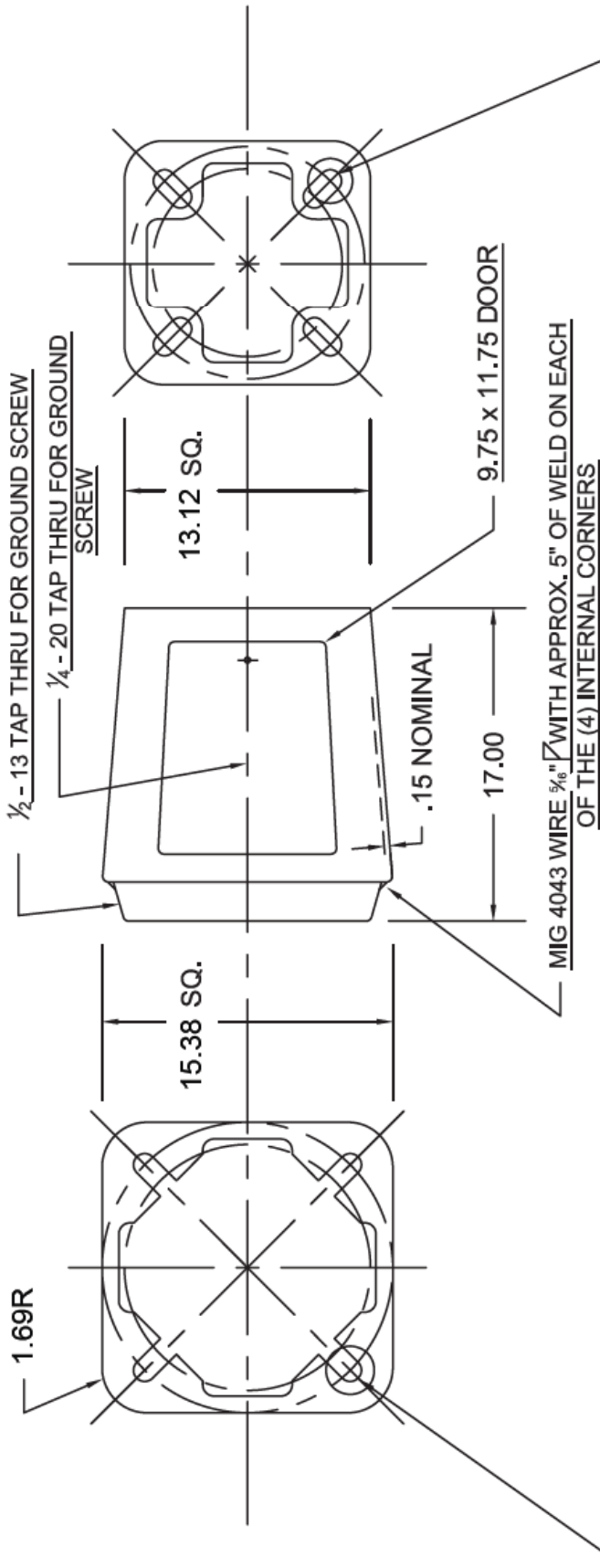
TB3-17 BASE

1985 AASHTO T-BASE

PROJECT: CONNDOT	DIST:
CONTRACTOR:	AGENT:
DRAWN BY	DATE 6/14/06
CHK'D	APP'D
SCALE N.T.S.	WORK ORDER #
	MATERIAL
	DRAWING NO.

REVISIONS	
NO.	DATE
1	
2	

ITEM: S22



2 3/4" DIA. x 1 1/16" I.D. x 1/2" TK. STEEL WASHERS FOR 1" DIA. ANCHORAGE
OR 1 5/16" I.D. FOR 1 1/4" DIA. ANCHORAGE
4 PLS. EQ. SPACED ON 13.00" THRU 15.00" DIA. BOTTOM GROUND B.C.

2 1/2" DIA. x 1 1/16" x 3/8" TK. OR 2 3/4" DIA. x 1 1/16" x 1/2" TK. STEEL WASHERS
4 PLS. EQ. SPACED ON 10.50" THRU 13.50" DIA. BOTTOM GROUND B.C.

DOOR SUPPLIED BLANK OR LOGO IN ALUMINUM (WITHOUT HINGE)

STD 1/4"-20 S.S. HEX SCREW OR VANDAL SCREW TO FIT YOUR SPECIFICATIONS
ALL WASHERS TO BE ZINC MECHANICAL COATED PER ASTM B695-85 CLASS 50

356T-6 ALUMINUM ALLOY / S.S. WHEELABRATED FINISH CHEMICAL AND PHY. CERTS TO BE SUPPLIED WITH EACH SHIPMENT

ADHESIVE BREAKAWAY AND CAUTION LABELS TO APPEAR
ON INSIDE WALL OPPOSITE DOOR OPENING

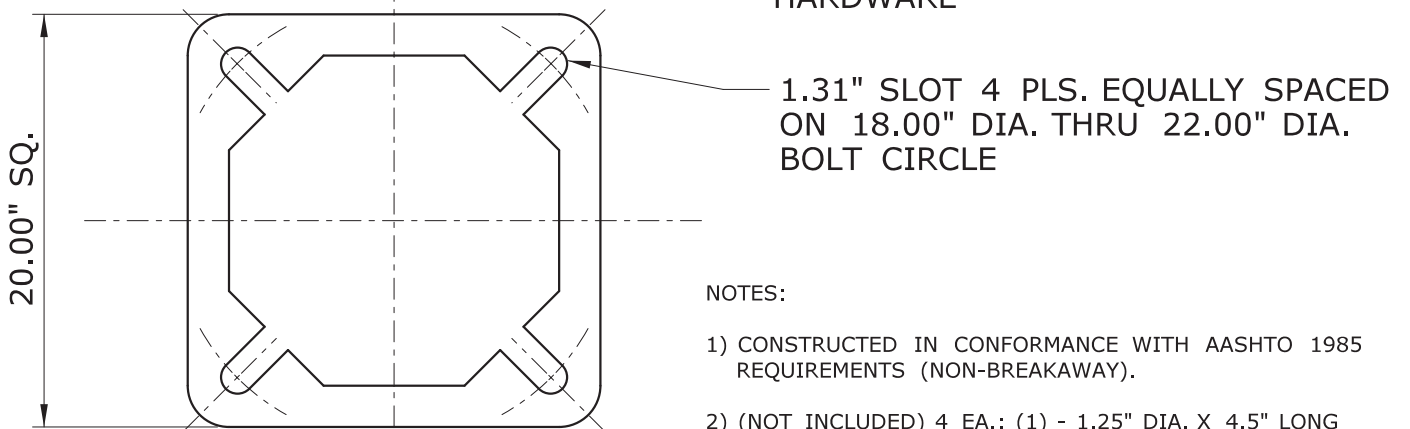
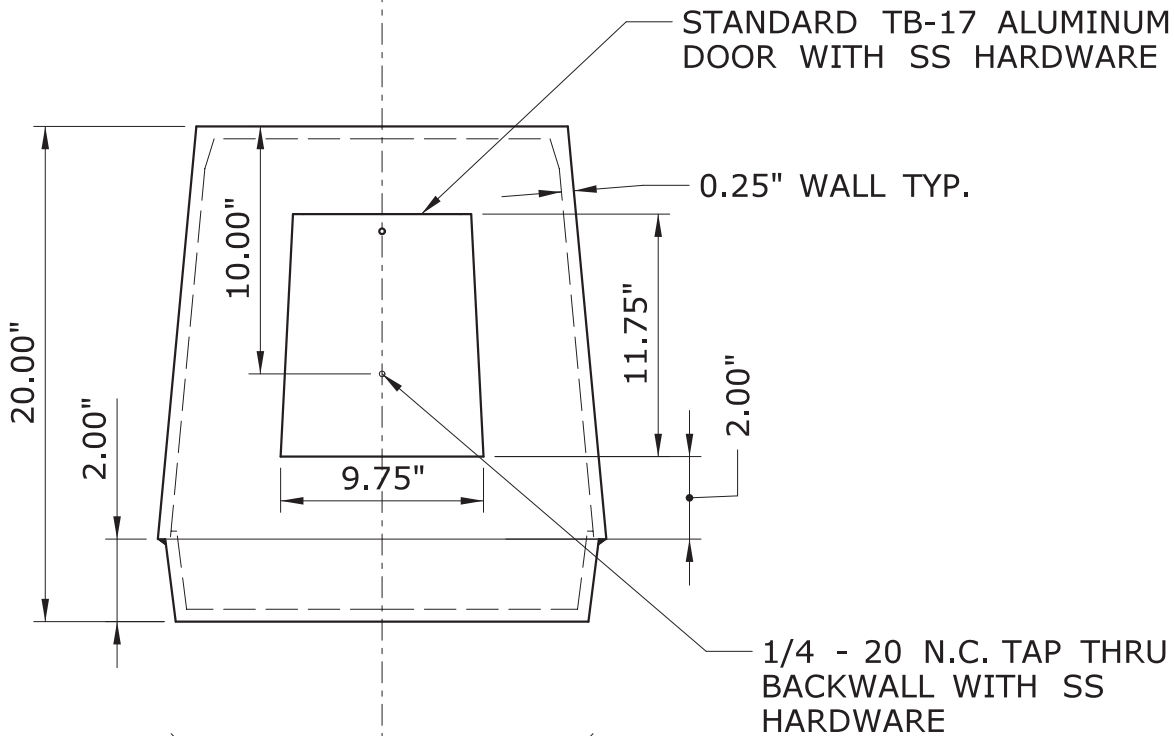
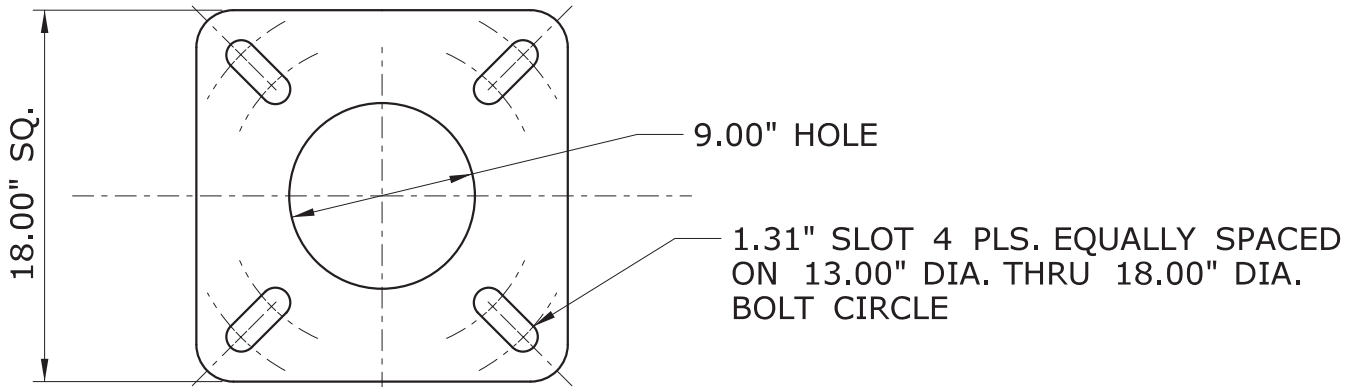
NOTE: (WHEN REQUIRED) 4 EA. 1" DIA. x 3 3/4" LONG ASTM A326 HEX HEAD
CAP SCREWS, GALV. PER ASTM A153 W/ ALL FLATWASHERS,
LOCKWASHERS, NUTS AND SHIMS REQ'D.
(FOR POLE-TO-BASE CONNECTION)

TB1-17 BASE

1985 AASHTO T-BASE

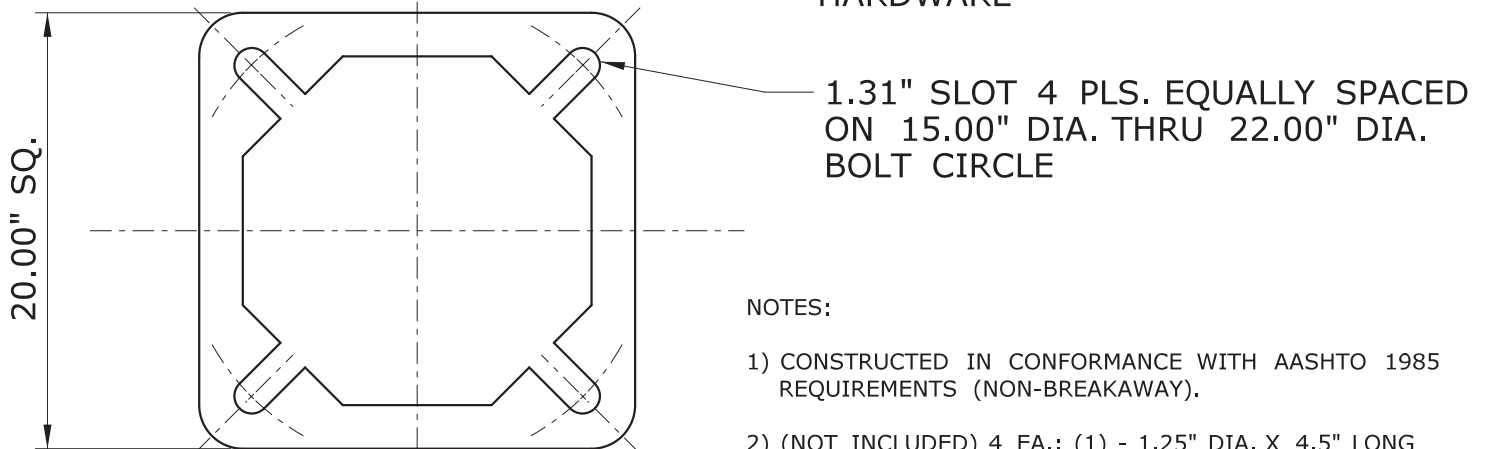
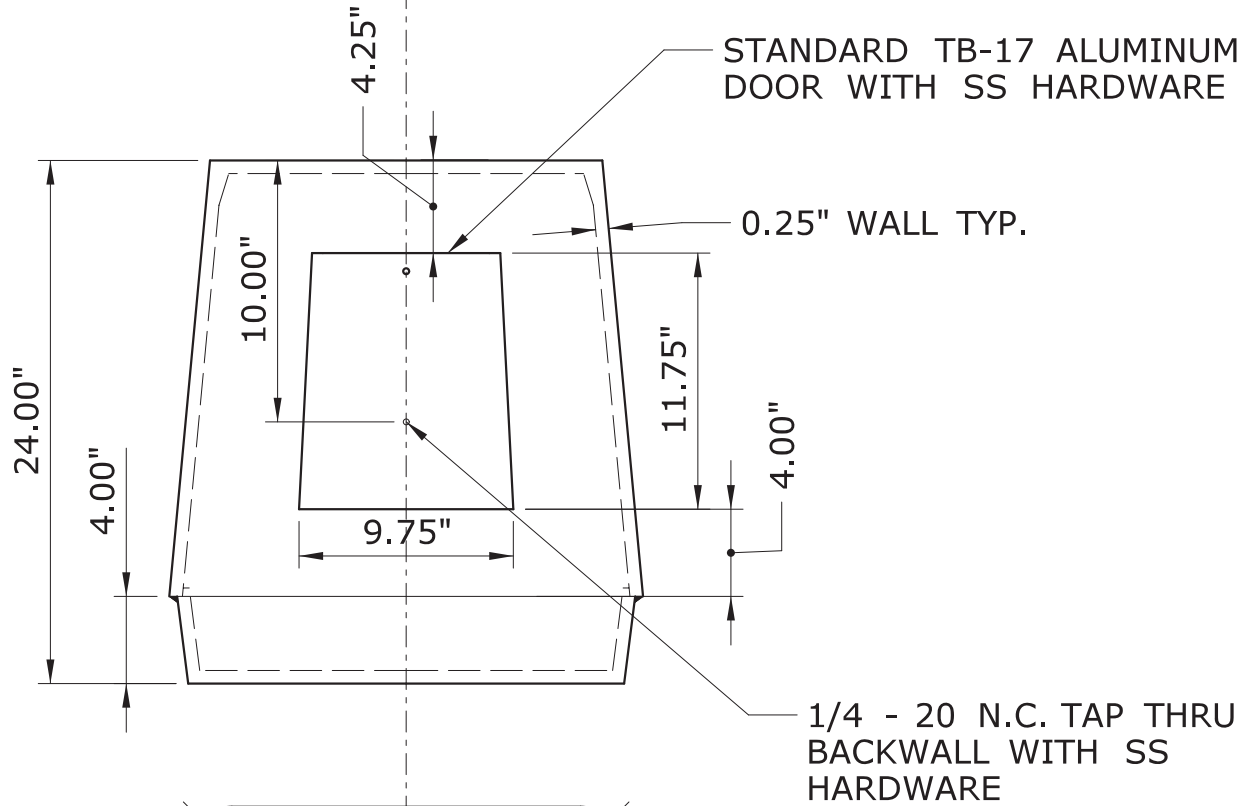
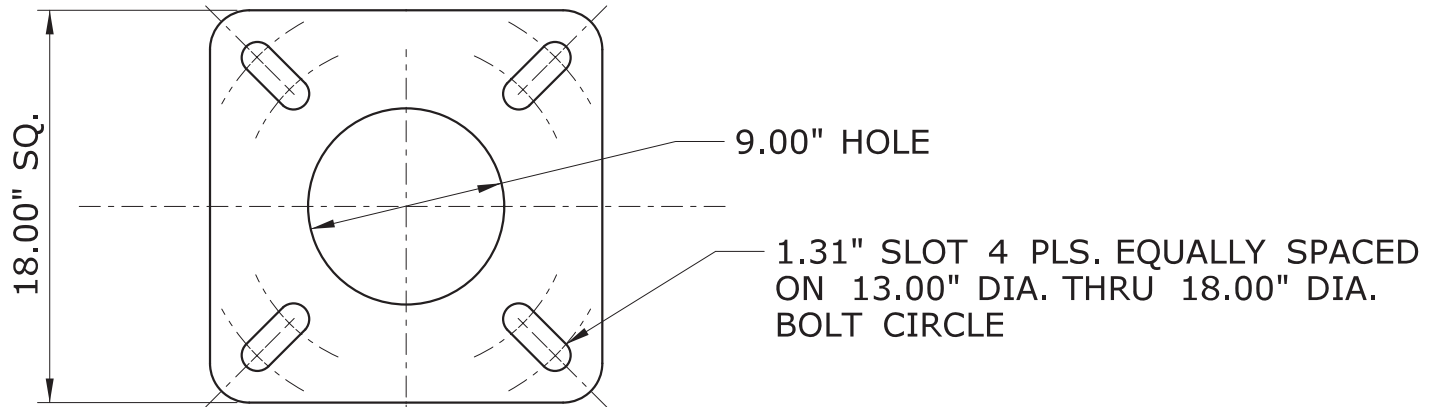
PROJECT: CONNDOT	DIST:
CONTRACTOR:	AGENT:
DRAWN BY	DATE 6/14/06
CHK'D	APP'D
SCALE N.T.S.	WORK ORDER #
	MATERIAL
	DRAWING NO.

REVISIONS	
NO.	DATE
1	
2	



NOTES:

- 1) CONSTRUCTED IN CONFORMANCE WITH AASHTO 1985 REQUIREMENTS (NON-BREAKAWAY).
- 2) (NOT INCLUDED) 4 EA.: (1) - 1.25" DIA. X 4.5" LONG (HEX HEAD) BOLT ASTM-A325. CONNECTING HARDWARE (BOLTS, FLAT WASHER, LOCK WASHER, NUT, SHIMS) - ALL HOT DIP GALV. PER ASTM A-153 - FOR POLE TO BASE CONNECTION.
- 3) APPROXIMATE WEIGHT = 72 LBS.



NOTES:

- 1) CONSTRUCTED IN CONFORMANCE WITH AASHTO 1985 REQUIREMENTS (NON-BREAKAWAY).
- 2) (NOT INCLUDED) 4 EA.: (1) - 1.25" DIA. X 4.5" LONG (HEX HEAD) BOLT ASTM-A325. CONNECTING HARDWARE (BOLTS, FLAT WASHER, LOCK WASHER, NUT, SHIMS) - ALL HOT DIP GALV. PER ASTM A-153 - FOR POLE TO BASE CONNECTION.
- 3) APPROXIMATE WEIGHT = 80 LBS.



Notice to Executive Branch State Contractors and Prospective State Contractors of Campaign Contribution and Solicitation Limitations

This notice is provided under the authority of Connecticut General Statutes §9-612(G)(2), as amended by P.A. 10-1, and is for the purpose of informing state contractors and prospective state contractors of the following law (italicized words are defined on the reverse side of this page).

CAMPAIGN CONTRIBUTION AND SOLICITATION LIMITATIONS

No *state contractor, prospective state contractor, principal of a state contractor or principal of a prospective state contractor*, with regard to a *state contract or state contract solicitation* with or from a state agency in the executive branch or a quasi-public agency or a holder, or principal of a holder of a valid prequalification certificate, shall make a contribution to (i) an exploratory committee or candidate committee established by a candidate for nomination or election to the office of Governor, Lieutenant Governor, Attorney General, State Comptroller, Secretary of the State or State Treasurer, (ii) a political committee authorized to make contributions or expenditures to or for the benefit of such candidates, or (iii) a party committee (which includes town committees).

In addition, no holder or principal of a holder of a valid prequalification certificate, shall make a contribution to (i) an exploratory committee or candidate committee established by a candidate for nomination or election to the office of State senator or State representative, (ii) a political committee authorized to make contributions or expenditures to or for the benefit of such candidates, or (iii) a party committee.

On and after January 1, 2011, no state contractor, prospective state contractor, principal of a state contractor or principal of a prospective state contractor, with regard to a state contract or state contract solicitation with or from a state agency in the executive branch or a quasi-public agency or a holder, or principal of a holder of a valid prequalification certificate, shall **knowingly solicit** contributions from the state contractor's or prospective state contractor's employees or from a *subcontractor or principals of the subcontractor* on behalf of (i) an exploratory committee or candidate committee established by a candidate for nomination or election to the office of Governor, Lieutenant Governor, Attorney General, State Comptroller, Secretary of the State or State Treasurer, (ii) a political committee authorized to make contributions or expenditures to or for the benefit of such candidates, or (iii) a party committee.

DUTY TO INFORM

State contractors and prospective state contractors are required to inform their principals of the above prohibitions, as applicable, and the possible penalties and other consequences of any violation thereof.

PENALTIES FOR VIOLATIONS

Contributions of solicitations of contributions made in violation of the above prohibitions may result in the following civil and criminal penalties:

Civil Penalties – Up to \$2,000 or twice the amount of the prohibited contribution, whichever is greater, against a principal or a contractor. Any state contractor or prospective state contractor which fails to make reasonable efforts to comply with the provisions requiring notice to its principals of these prohibitions and possible consequences of their violations may also be subject to civil penalties of up to \$2,000 or twice the amount of the prohibited contributions made by their principals.

Criminal penalties – Any knowing and willful violation of the prohibition is a Class D felony, which may subject the violator to imprisonment of not more than 5 years, or not more than \$5,000 in fines, or both.

CONTRACT CONSEQUENCES

In the case of a state contractor, contributions made or solicited in violation of the above prohibitions may result in the contract being voided.

In the case of a prospective state contractor, contributions made or solicited in violation of the above prohibitions shall result in the contract described in the state contract solicitation not being awarded to the prospective state contractor, unless the State Elections Enforcement Commission determines that mitigating circumstances exist concerning such violation.

The State shall not award any other state contract to anyone found in violation of the above prohibitions for a period of one year after the election for which such contribution is made or solicited, unless the State Elections Enforcement Commission determines that mitigating circumstances exist concerning such violation.

Additional information may be found on the website of the State Elections Enforcement Commission, www.ct.gov/seec. Click on the link to "Lobbyist/Contractor Limitations."



DEFINITIONS

“State contractor” means a person, business entity or nonprofit organization that enters into a state contract. Such person, business entity or nonprofit organization shall be deemed to be a state contractor until December thirty-first of the year in which such contract terminates. “State contractor” does not include a municipality or any other political subdivision of the state, including any entities or associations duly created by the municipality or political subdivision exclusively amongst themselves to further any purpose authorized by statute or charter, or an employee in the executive or legislative branch of state government or a quasi-public agency, whether in the classified or unclassified service and full or part-time, and only in such person's capacity as a state or quasi-public agency employee.

“Prospective state contractor” means a person, business entity or nonprofit organization that (i) submits a response to a state contract solicitation by the state, a state agency or a quasi-public agency, or a proposal in response to a request for proposals by the state, a state agency or a quasi-public agency, until the contract has been entered into, or (ii) holds a valid prequalification certificate issued by the Commissioner of Administrative Services under section 4a-100. “Prospective state contractor” does not include a municipality or any other political subdivision of the state, including any entities or associations duly created by the municipality or political subdivision exclusively amongst themselves to further any purpose authorized by statute or charter, or an employee in the executive or legislative branch of state government or a quasi-public agency, whether in the classified or unclassified service and full or part-time, and only in such person's capacity as a state or quasi-public agency employee.

“Principal of a state contractor or prospective state contractor” means (i) any individual who is a member of the board of directors of, or has an ownership interest of five per cent or more in, a state contractor or prospective state contractor, which is a business entity, except for an individual who is a member of the board of directors of a nonprofit organization, (ii) an individual who is employed by a state contractor or prospective state contractor, which is a business entity, as president, treasurer or executive vice president, (iii) an individual who is the chief executive officer of a state contractor or prospective state contractor, which is not a business entity, or if a state contractor or prospective state contractor has no such officer, then the officer who duly possesses comparable powers and duties, (iv) an officer or an employee of any state contractor or prospective state contractor who has *managerial or discretionary responsibilities with respect to a state contract*, (v) the spouse or a *dependent child* who is eighteen years of age or older of an individual described in this subparagraph, or (vi) a political committee established or controlled by an individual described in this subparagraph or the business entity or nonprofit organization that is the state contractor or prospective state contractor.

“State contract” means an agreement or contract with the state or any state agency or any quasi-public agency, let through a procurement process or otherwise, having a value of fifty thousand dollars or more, or a combination or series of such agreements or contracts having a value of one hundred thousand dollars or more in a calendar year, for (i) the rendition of services, (ii) the furnishing of any goods, material, supplies, equipment or any items of any kind, (iii) the construction, alteration or repair of any public building or public work, (iv) the acquisition, sale or lease of any land or building, (v) a licensing arrangement, or (vi) a grant, loan or loan guarantee. “State contract” does not include any agreement or contract with the state, any state agency or any quasi-public agency that is exclusively federally funded, an education loan, a loan to an individual for other than commercial purposes or any agreement or contract between the state or any state agency and the United States Department of the Navy or the United States Department of Defense.

“State contract solicitation” means a request by a state agency or quasi-public agency, in whatever form issued, including, but not limited to, an invitation to bid, request for proposals, request for information or request for quotes, inviting bids, quotes or other types of submittals, through a competitive procurement process or another process authorized by law waiving competitive procurement.

“Managerial or discretionary responsibilities with respect to a state contract” means having direct, extensive and substantive responsibilities with respect to the negotiation of the state contract and not peripheral, clerical or ministerial responsibilities.

“Dependent child” means a child residing in an individual's household who may legally be claimed as a dependent on the federal income tax of such Individual.

“Solicit” means (A) requesting that a contribution be made, (B) participating in any fund-raising activities for a candidate committee, exploratory committee, political committee or party committee, including, but not limited to, forwarding tickets to potential contributors, receiving contributions for transmission to any such committee or bundling contributions, (C) serving as chairperson, treasurer or deputy treasurer of any such committee, or (D) establishing a political committee for the sole purpose of soliciting or receiving contributions for any committee. Solicit does not include: (i) making a contribution that is otherwise permitted by Chapter 155 of the Connecticut General Statutes; (ii) informing any person of a position taken by a candidate for public office or a public official, (iii) notifying the person of any activities of, or contact information for, any candidate for public office; or (iv) serving as a member in any party committee or as an officer of such committee that is not otherwise prohibited in this section.

“Subcontractor” means any person, business entity or nonprofit organization that contracts to perform part or all of the obligations of a state contractor's state contract. Such person, business entity or nonprofit organization shall be deemed to be a subcontractor until December thirty first of the year in which the subcontract terminates. “Subcontractor” does not include (i) a municipality or any other political subdivision of the state, including any entities or associations duly created by the municipality or political subdivision exclusively amongst themselves to further any purpose authorized by statute or charter, or (ii) an employee in the executive or legislative branch of state government or a quasi-public agency, whether in the classified or unclassified service and full or part-time, and only in such person's capacity as a state or quasi-public agency employee.

“Principal of a subcontractor” means (i) any individual who is a member of the board of directors of, or has an ownership interest of five per cent or more in, a subcontractor, which is a business entity, except for an individual who is a member of the board of directors of a nonprofit organization, (ii) an individual who is employed by a subcontractor, which is a business entity, as president, treasurer or executive vice president, (iii) an individual who is the chief executive officer of a subcontractor, which is not a business entity, or if a subcontractor has no such officer, then the officer who duly possesses comparable powers and duties, (iv) an officer or an employee of any subcontractor who has managerial or discretionary responsibilities with respect to a subcontract with a state contractor, (v) the spouse or a dependent child who is eighteen years of age or older of an individual described in this subparagraph, or (vi) a political committee established or controlled by an individual described in this subparagraph or the business entity or nonprofit organization that is the subcontractor.