



WEST ELEVATION



SOUTH ELEVATION







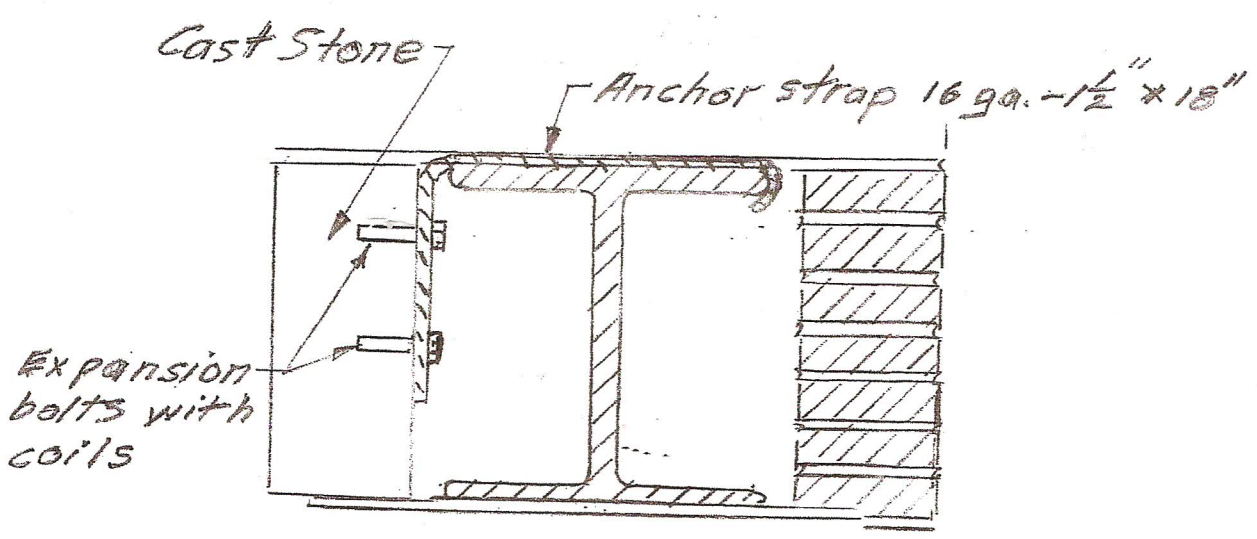
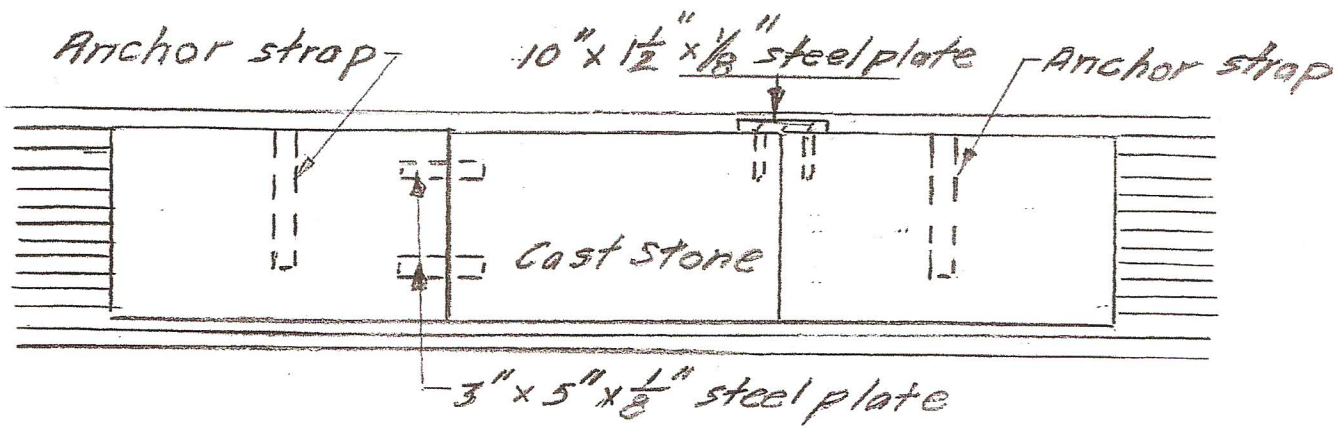
NORTH ELEVATION

AREA TO BE REPAIRED — 



EAST ELEVATION



**CAST MASONRY UNIT ANCHORAGE**

**EXTERIOR WINDOWS**

**Slocum Child Care Center**