

ELECTRICAL SPECIFICATIONS

SCOPE - WORK SHALL CONSIST OF FURNISHING OF ALL LABOR, MATERIALS AND SERVICES REQUIRED, COMPLETE AND READY FOR PROPER OPERATION...

BEFORE SUBMITTING HIS BID, THE CONTRACTOR SHALL VISIT AND FIELD SURVEY THE SITE TO BECOME FAMILIAR WITH THE EXISTING CONDITIONS UNDER WHICH HIS WORK WILL BE INSTALLED...

FULLY OPERATIONAL UNDER THIS CONTRACT BEFORE THE JOB IS CONSIDERED COMPLETE.

CODES, REGULATIONS AND STANDARDS - ALL WORK SHALL BE PERFORMED IN ACCORDANCE WITH THE CURRENT CODES IN EFFECT.

2014 NATIONAL ELECTRICAL CODE
2016 CONNECTICUT STATE BUILDING CODE
2016 CONNECTICUT STATE FIRE SAFETY CODE

ANY AND ALL LOCAL, STATE AND FEDERAL AUTHORITIES HAVING JURISDICTION OVER WORK

PERMITS, FEES AND INSPECTIONS - THE CONTRACTOR SHALL OBTAIN ALL NECESSARY NOTICES, PERMITS, FEES AND INSPECTIONS - THE CONTRACTOR SHALL OBTAIN ALL NECESSARY APPROVALS...

GUARANTEES - ALL WORKMANSHIP AND MATERIALS SHALL BE FULLY GUARANTEED FOR A PERIOD OF ONE YEAR AFTER ACCEPTANCE OF ENTIRE INSTALLATION COVERED BY THIS CONTRACT...

STANDBY GENERATOR SET SHALL BE WARRANTED AGAINST DEFECTS IN MATERIALS AND WORKMANSHIP FOR A PERIOD OF FIVE YEARS FROM DATE OF START-UP...

SHOP DRAWINGS - SUBMIT FOUR (4) COPIES FOR REVIEW, DETAILED SHOP DRAWINGS OF ALL EQUIPMENT TO BE INSTALLED...

MANUFACTURER'S INSTRUCTIONS - INSTALL ALL EQUIPMENT IN ACCORDANCE WITH MANUFACTURER'S INSTRUCTIONS AND REQUIREMENTS FOR PROPER OPERATION AND MAINTENANCE.

PROPERTY AND EQUIPMENT PROTECTION - CONTRACTOR SHALL TAKE ALL MEANS NECESSARY AND/OR REQUIRED TO PROTECT OWNER'S PROPERTY WITHIN WORKING AREAS FROM DUST, DEBRIS AND PHYSICAL DAMAGE GENERATED BY HIS WORK...

CUTTING, PATCHING AND REPAIRING - ELECTRICAL CONTRACTOR SHALL PERFORM ALL CUTTING, PATCHING AND REPAIRING OF ALL SURFACES FOR ALL ELECTRICAL ITEMS AND EQUIPMENT CALLED FOR UNDER THIS CONTRACT.

REMOVALS - THE CONTRACTOR SHALL DISCONNECT AND REMOVE ELECTRICAL WORK AS SHOWN AND NOTED ON DRAWINGS, DISCONNECT AND COMPLETELY REMOVE ALL UNUSED CONDUIT, WIRING, BOXES AND SUPPORTS.

CLEAN UP - CONTRACTOR SHALL TAKE CARE TO AVOID ACCUMULATION OF BOXES AND DEBRIS RESULTING FROM THE INSTALLATION OF HIS WORK...

TEMPORARY LIGHT AND POWER - PROVIDE TEMPORARY STANDBY GENERATOR TO MAINTAIN EXISTING WELL PUMPS IN SERVICE DURING INSTALLATION OF NEW GENERATOR AND AUTOMATIC TRANSFER SWITCH...

RECORD DRAWINGS - MAINTAIN A SET OF ELECTRICAL DRAWINGS AT THE SITE INDICATING ACTUAL DEVICE LOCATIONS AND CONDUIT ROUTINGS ON THE PROJECT...

MATERIALS AND WORKMANSHIP - ALL MATERIALS REQUIRED FOR THE WORK SHALL BE NEW, OF FIRST-CLASS QUALITY AND BEAR TRADE MARKS...

CONDUCTORS - CONDUCTORS FOR BUILDING WIRE SHALL BE UL LISTED, 600 VOLT, 75C, SINGLE CONDUCTOR TYPE THWN/THHN...

RIGID GALVANIZED STEEL CONDUIT (RGS) - RIGID STEEL CONDUIT SHALL BE FULL WEIGHT, HEAVY WALL STEEL PIPE WITH GALVANIZED PROTECTIVE COATING...

ELECTRICAL METALLIC TUBING (EMT) - ELECTRICAL METALLIC TUBING SHALL BE GALVANIZED THIN WALL STEEL CONDUIT, CONNECTORS AND COUPLINGS SHALL BE HEAVY DUTY...

RIGID POLYVINYL CHLORIDE CONDUIT (PVC) - RIGID POLYVINYL CHLORIDE CONDUIT SHALL BE SCHEDULE 40, 90C, UL LISTED - ALL PVC CONDUIT AND FITTINGS SHALL BE SOLVENT WELDED...

LIQUIDTIGHT FLEXIBLE NON-METALLIC CONDUIT (LFNC) - LIQUID-TIGHT FLEXIBLE CONDUIT SHALL BE SPIRALLY-WOUND RIGID PVC REINFORCEMENT EMBEDDED WITHIN FLEXIBLE PVC WALL...

JUNCTION BOXES AND PULLBOXES - JUNCTION BOXES AND PULLBOXES SHALL BE OF PROPER SIZE AND TYPE AS REQUIRED, NON-METALLIC CONSTRUCTION WITH KNOCKOUTS AND THREADED HUBS TO RECEIVE THE COVERS...

FUSES - FUSES SHALL BE CARTRIDGE TYPE, RATED 250 VOLTS. BUSSMAN LOW-PEAK, DUAL-ELEMENT, TIME-DELAY, CLASS RK1.

GROUND RODS - GROUND RODS SHALL BE HIGH STRENGTH STEEL CORE WITH ELECTROLYTICALLY BONDED COPPER JACKET, AND SHALL CONFORM TO REQUIREMENTS OF THE UL SPEC. NO. 467 (ANSI C-33.1-1972)...

INSTALLATION - ALL WORK, MATERIALS AND MANNER OF INSTALLATION SHALL BE IN ACCORDANCE WITH THE REQUIREMENTS OF THE 2014 NATIONAL ELECTRICAL CODE AND ALL APPLICABLE CODES.

ALL WIRING ON DRAWINGS IS SIZED FOR TYPE THWN/THHN COPPER CONDUCTORS. MINIMUM SIZE CONDUIT SHALL BE 3/4", MINIMUM CONDUCTOR SIZE #12 AWG.

FURNISH AND INSTALL APPROVED TYPE PULL BOXES AS REQUIRED. ALL RACEWAYS AND BOXES SHALL BE MECHANICALLY JOINED TO FORM A CONTINUOUS ELECTRICAL CONDUCTOR...

RIGID STEEL CONDUIT (RGS) SHALL BE USED FOR WIRING WHERE EXPOSED TO PHYSICAL MECHANICAL DAMAGE.

RIGID POLYVINYL CHLORIDE CONDUIT (PVC) SHALL BE USED FOR NEW UNDERGROUND FEEDERS AND CONTROL CIRCUIT CONDUITS.

LIQUIDTIGHT FLEXIBLE NON-METALLIC CONDUIT (LFNC) SHALL BE USED FOR FINAL CONNECTION OF MOTORS AND EQUIPMENT. LENGTH OF FLEXIBLE CONNECTION SHALL BE KEPT TO A MINIMUM, NOT TO EXCEED FOUR (4) FEET.

CONDUCTOR WITHIN PANELBOARDS, PULL BOXES AND OTHER EQUIPMENT WHERE CONCENTRATIONS OF CONDUCTORS ARE ENCLOSED, SHALL BE NEATLY ARRANGED AND TIED WITH CABLE TIES...

ON-SITE ACCEPTANCE TEST: THE COMPLETE INSTALLATION SHALL BE TESTED FOR COMPLIANCE WITH CONTRACT DOCUMENTS FOLLOWING COMPLETION OF ALL WORK. TESTING SHALL BE CONDUCTED BY MANUFACTURERS REPRESENTATIVES...

MECHANICAL SPECIFICATIONS

SCOPE

THE WORK TO BE DONE UNDER THIS DIVISION OF THE SPECIFICATIONS INCLUDE THE FURNISHING OF ALL EQUIPMENT, SUPPLIES, LABOR, SUPERVISION AND ALL MATERIALS NOT SPECIFICALLY MENTIONED...

CODES, RULES, PERMITS AND FEES

THIS CONTRACTOR SHALL GIVE ALL NECESSARY NOTICES, OBTAIN ALL PERMITS AND PAY ALL STATE AND LOCAL TAXES, FEES AND OTHER COSTS IN CONNECTION WITH HIS WORK...

REGULATIONS

ALL WORK SHALL BE DONE IN STRICT ACCORDANCE WITH THE CURRENT STATE OF CONNECTICUT BASIC BUILDING CODE, THE CURRENT STATE OF CONNECTICUT FIRE SAFETY CODE...

GUARANTEE AND SERVICE

THE CONTRACTOR SHALL GUARANTEE ALL MATERIALS AND WORKMANSHIP FOR A PERIOD OF ONE YEAR FROM THE DATE OF ACCEPTANCE OF THE INSTALLATION...

DRAWINGS AND INTENT

DRAWINGS ARE INTENDED AS WORKING DRAWINGS FOR GENERAL LAYOUT OF THE VARIOUS ITEMS OF EQUIPMENT. HOWEVER, LAYOUT OF EQUIPMENT, ACCESSORIES, SPECIALTIES, AND PIPING SYSTEMS ARE DIAGRAMMATIC UNLESS SPECIFICALLY DIMENSIONED...

RELATED WORK IN OTHER DIVISIONS

ALL ELECTRICAL WORK, FINISHED PAINTING OF PIPING AND EQUIPMENT, CUTTING AND PATCHING, CONCRETE WORK.

THIS CONTRACTOR SHALL FURNISH THE GENERAL CONTRACTOR WITH THE SIZES AND LOCATIONS OF CHASES AND OPENINGS WHICH OCCUR IN WALLS, PARTITIONS, FLOORS, ETC., REQUIRED FOR THE INSTALLATION OF THE WORK CALLED FOR UNDER THIS CONTRACT...

MEASUREMENTS

ALL MEASUREMENTS TAKEN AT THE SITE SHALL TAKE PRECEDENCE OVER SCALE DIMENSIONS. EVERY PART OF THE PLANS SHALL BE FITTED TO THE ACTUAL CONDITIONS AT THE BUILDING...

PROTECTION OF FIXTURES, MATERIALS AND EQUIPMENT

CLOSE PIPE OPENINGS WITH CAPS OR PLUGS DURING INSTALLATION. TIGHTLY COVER AND PROTECT FIXTURES AND EQUIPMENT AGAINST DIRT, WATER AND CHEMICAL OR MECHANICAL INJURY...

SCAFFOLDING, RIGGING AND HOISTING

UNLESS OTHERWISE SPECIFIED, CONTRACTOR SHALL FURNISH ALL SCAFFOLDING, RIGGING, HOISTING AND SERVICES NECESSARY FOR ERECTION AND DELIVERY INTO THE PREMISES...

HOUSEKEEPING

THIS CONTRACTOR SHALL BE RESPONSIBLE FOR KEEPING STOCK OF MATERIALS AND EQUIPMENT STORED ON PREMISES IN A NEAT AND ORDERLY MANNER AND AT ALL TIMES KEEP THE PREMISES FREE FROM ACCUMULATION OF WASTE MATERIAL OR RUBBISH...

QUIET OPERATION

ALL WORK SHALL OPERATE UNDER ALL CONDITIONS OF LOAD WITHOUT ANY SOUND OR VIBRATION WHICH IS OBJECTIONABLE IN THE OPINION OF THE ENGINEER...

SHOP DRAWINGS

PRIOR TO DELIVERY TO JOB SITE, BUT SUFFICIENTLY IN ADVANCE OF REQUIREMENTS NECESSARY TO ALLOW ENGINEER AMPLE TIME FOR REVIEW, CONTRACTOR SHALL SUBMIT FOR APPROVAL, SEVEN (7) COPIES EACH OF SHOP DRAWINGS OF ALL EQUIPMENT.

EQUIPMENT DEVIATION

THE PLANS AND/OR SPECIFICATIONS INDICATE THE NAME, MODEL NUMBER OR TYPE OF EQUIPMENT OR MATERIALS SPECIFIED. SHOULD THE BIDDER DESIRE TO USE EQUIPMENT OR MATERIALS OR MAKE OTHER THAN THOSE SPECIFIED OR SHOWN...

OWNER'S INSTRUCTIONS AND SYSTEM OPERATION

AT THE TIME OF THE JOB'S ACCEPTANCE BY OWNER, CONTRACTOR SHALL FURNISH ONE COMPLETE SET OF APPROVED CERTIFIED DRAWINGS TO THE OWNER. IN ADDITION, CONTRACTOR SHALL FURNISH MAINTENANCE AND OPERATING INSTRUCTIONS FOR ALL EQUIPMENT...

EXAMINATION OF PREMISES - SPECIAL NOTE

NO CONSIDERATION OR ALLOWANCE WILL BE GRANTED FOR FAILURE TO VISIT SITE, OR FOR ANY ALLEGED MISUNDERSTANDING OF MATERIALS TO BE FURNISHED, OR WORK TO BE DONE...

GAS SERVICE

THIS CONTRACTOR SHALL ARRANGE WITH A LOCAL L.P. GAS SUPPLIER TO INSTALL TWO (2) 1000 GALLON UNDERGROUND LP TANKS (APPROXIMATELY WHERE SHOWN ON SITE PLAN). TANKS SHALL BE ASME CONSTRUCTED AND STAMPED...

GAS PIPING UNDERGROUND

UNDERGROUND GAS PIPING BETWEEN TANK AND GENERATOR SHALL BE "OMEGA FLEX" TRAC PIPE PS-11, A PRE-SLEEVED "ONE-STEP" INSTALLATION WITH QUICK ATTACHMENT FITTINGS...

WARNING TAPE

PLASTIC TAPE MUST BE LAID A MINIMUM OF 18", BUT NOT MORE THAN 24" ABOVE THE LINE OF SERVICE. WARNING TAPE SHALL BE PLASTIC OR METALIZED PLASTIC, YELLOW IN COLOR...

TESTS

THE CONTRACTOR SHALL, AT HIS OWN EXPENSE, DURING THE PROGRESS OF THE WORK OR UPON ITS COMPLETION AS ORDERED, MAKE SUCH TESTS OF THE WORK AS ARE HEREIN SPECIFIED OR AS ARE REASONABLY NECESSARY FOR THE PROGRESS OF THE WORK...

ALL EQUIPMENT SHALL BE INSTALLED IN ACCORDANCE WITH MANUFACTURER'S INSTRUCTIONS. EQUIPMENT SHALL BE INITIALLY STARTED IN ACCORDANCE WITH MANUFACTURER'S INSTRUCTIONS...

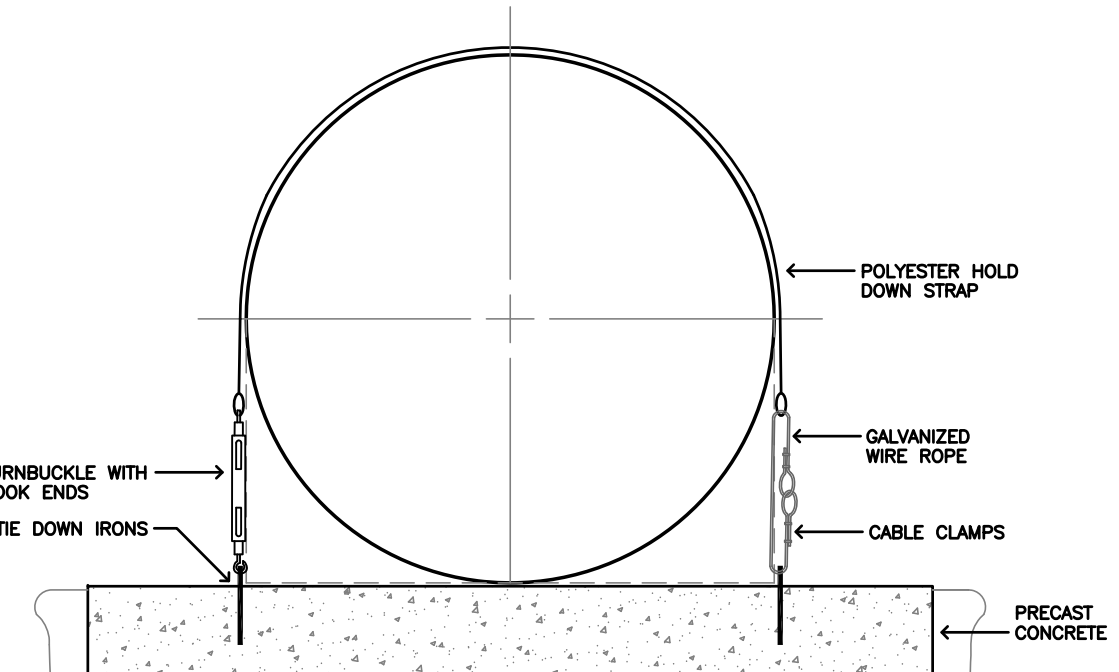
ON-SITE ACCEPTANCE TEST: THE COMPLETE INSTALLATION SHALL BE TESTED FOR COMPLIANCE WITH CONTRACT DOCUMENTS FOLLOWING COMPLETION OF ALL WORK. TESTING SHALL BE CONDUCTED BY MANUFACTURERS REPRESENTATIVES...

GENERAL NOTES

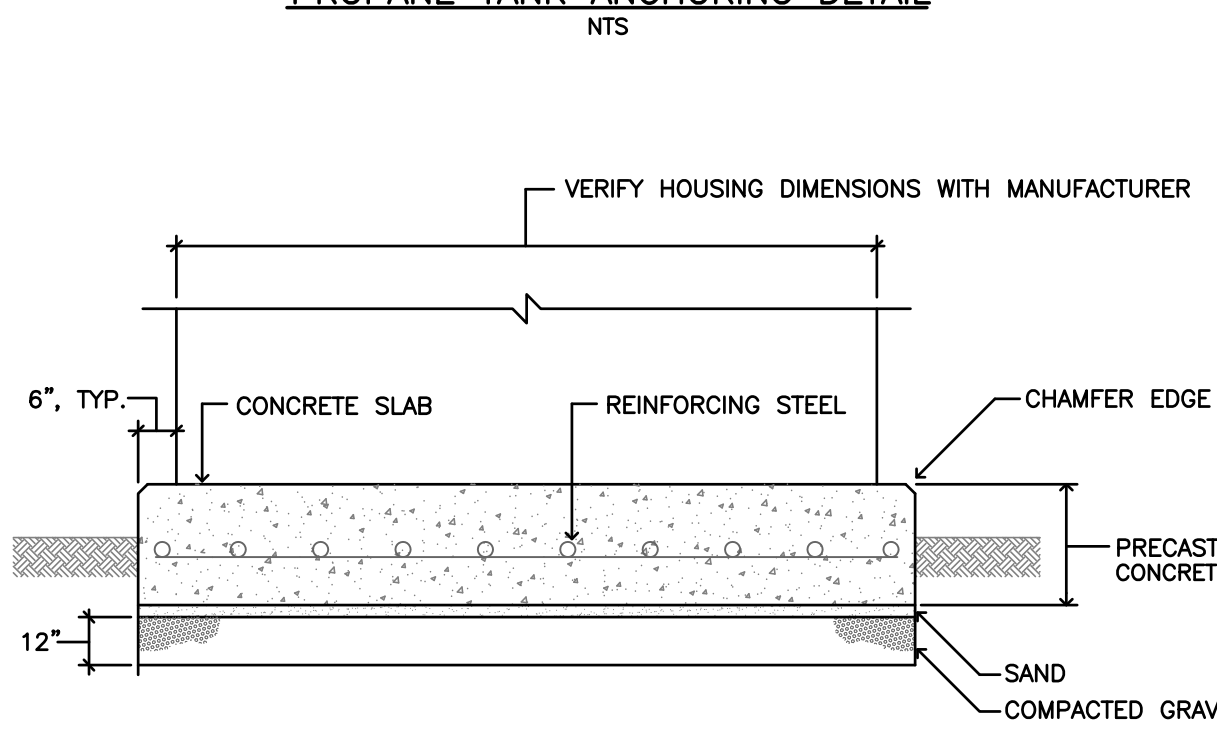
- 1. FURNISH LABOR, MATERIALS, EQUIPMENT AND SERVICE NECESSARY FOR THE PROPER AND COMPLETE INSTALLATION OF ALL ELECTRIC WORK AS SPECIFIED AND SHOWN ON DRAWINGS.
2. ELECTRICAL DRAWINGS ARE DIAGRAMMATIC ONLY. EXACT LOCATIONS OF ALL EQUIPMENT AND DEVICES SHALL BE COORDINATED WITH ARCHITECT AND OWNER...

ABBREVIATIONS

Table listing abbreviations and their meanings: A AMPERE, ADA AMERICANS WITH DISABILITIES ACT, AFB ABOVE FINISHED FLOOR, etc.

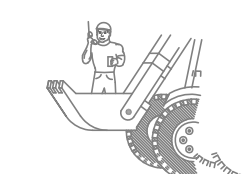


PROPANE TANK ANCHORING DETAIL



STANDBY GENERATOR CONCRETE PAD DETAIL

CALL TWO FULL WORKING DAYS IN ADVANCE

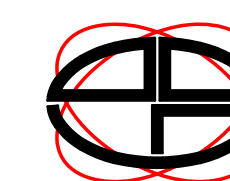


CALL BEFORE YOU DIG
1-800-922-4455
TOLL FREE STATEWIDE

ELECTRICAL DRAWING LIST table with columns for drawing number and description: E-1 SPECIFICATIONS AND DETAILS, E-2 ELECTRICAL SITE PLAN, E-3 ELECTRIC SERVICE RISER DIAGRAM

Designed By, Drawn By, Checked By, CAD File: fields with MMV/GLD, MMV, and MMV entries.

GENERAL DRAFTING & DESIGN, INC. CONSULTING ENGINEERS
North Haven, Connecticut 06473
Tel: 203.236.6618 Fax: 203.236.7275
e: gdd@me.net



Drawing Scale: NONE table with columns for Drawing Scale, Revision, and Date.

Drawing date: August 31, 2018 table with columns for Date, Revision, and By.

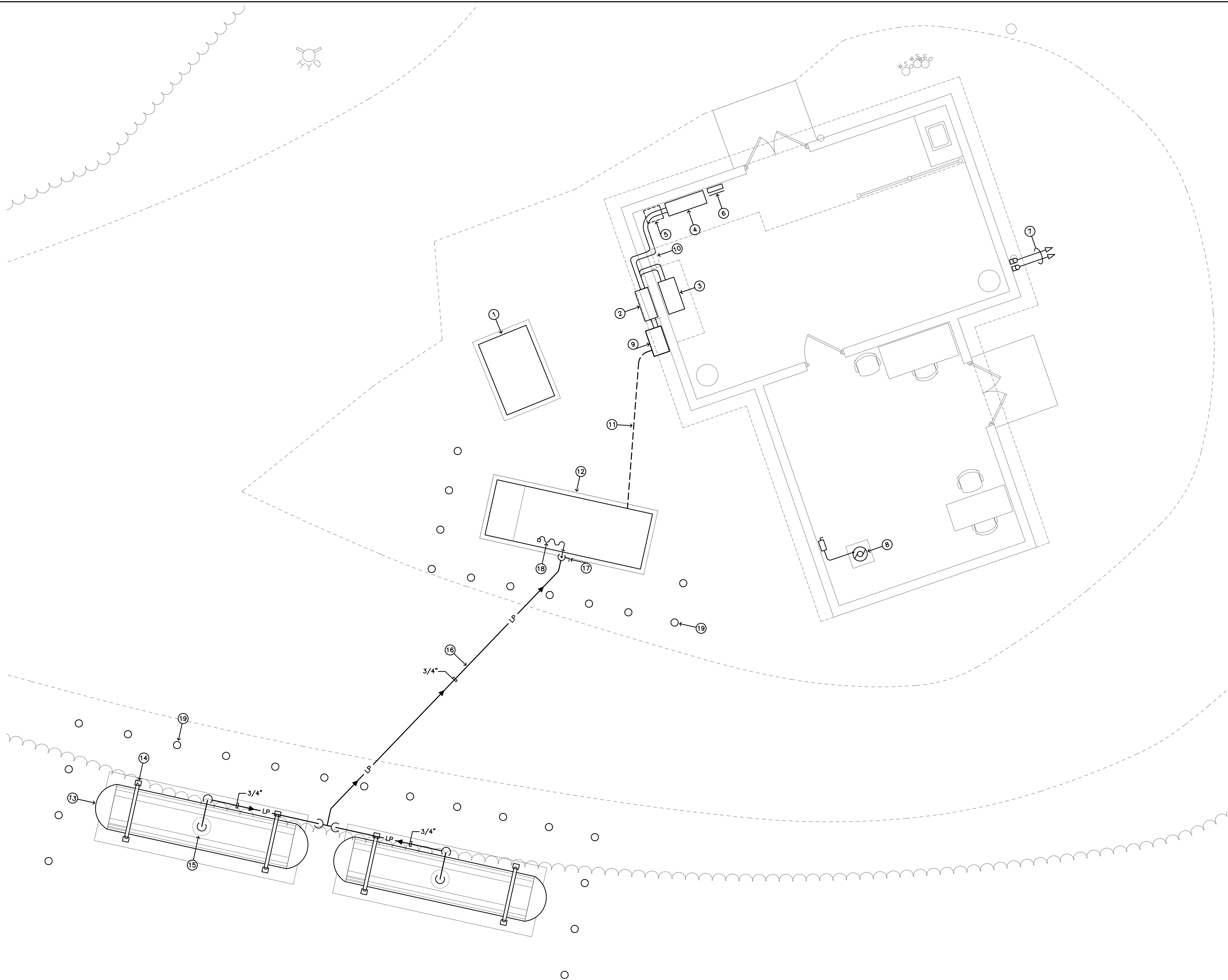
Table with columns for Rev., Date, and By, showing revision details.

SPECIFICATIONS AND DETAILS PREPARED FOR BERLIN WATER CONTROL COMMISSION
440 WILLOW STREET, WASHINGTON, CT 06495
TEL: (860) 594-6669 FAX: (860) 594-6669

Lenard Engineering, Inc. Civil, Environmental and Hydrogeological Consultants
15 Milford Drive, Aurora, MA 01801
2210 MAIN STREET, WASHINGTON, CT 06495
TEL: (860) 594-6669 FAX: (860) 594-6669

Drawing #: E-1
Job #: 18-331

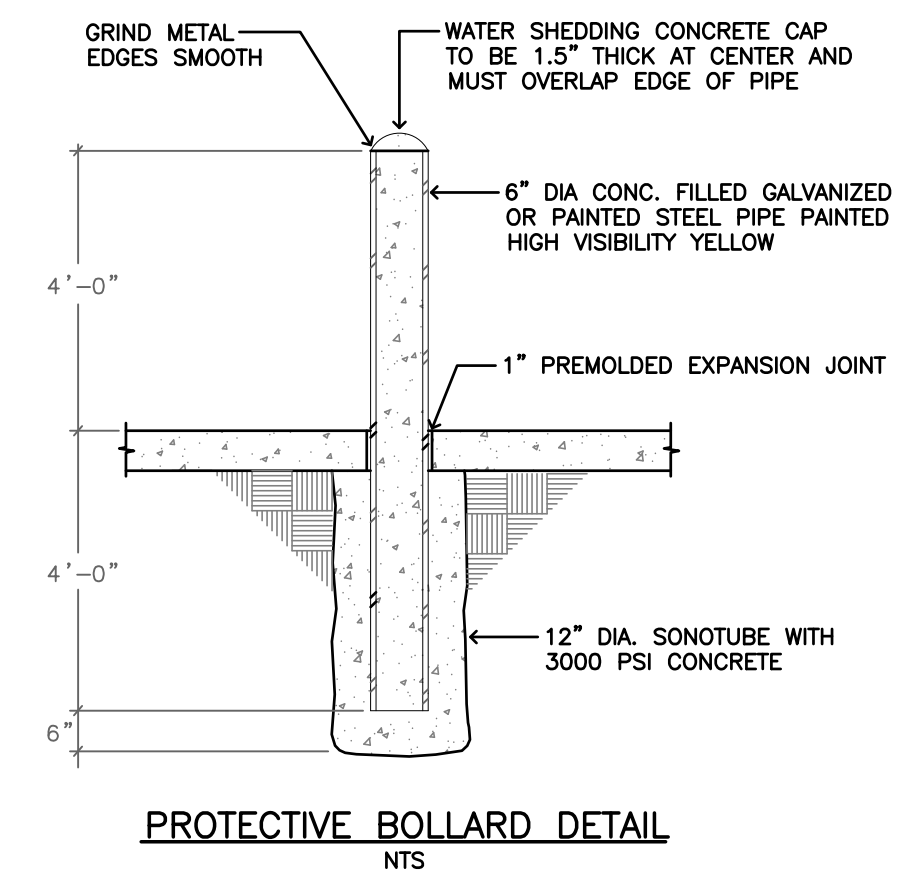




**ELECTRICAL SITE PLAN**  
SCALE: 1/4" = 1'-0"

**LEGEND**

- ① EXISTING UTILITY PAD MOUNT POWER TRANSFORMER TO REMAIN.
- ② EXISTING OUTDOOR METER SOCKET AND UTILITY REVENUE METER TO REMAIN.
- ③ EXISTING COMBINATION SERVICE ENTRANCE CABINET TO REMAIN.
- ④ EXISTING MAIN DISTRIBUTION PANEL TO REMAIN, 400A-277/480V-3ø.
- ⑤ EXISTING 25KVA WALL MOUNT STEP-DOWN TRANSFORMER AND PUMP CONTROL CABINET TO REMAIN.
- ⑥ EXISTING PANEL TO REMAIN, 100A-120/240V-1ø.
- ⑦ EXISTING CONDUITS RUN DOWN OUTSIDE OF BUILDING AND UNDERGROUND TO WELLHOUSE TO REMAIN.
- ⑧ EXISTING WELL PUMP, 60HP-460V-3ø. PROVIDE NEW VFD STARTER FOR MOTOR, VERIFY VFD COMPATABILITY WITH MOTOR TYPE, VERIFY MOUNTING LOCATION IN FIELD, CONNECT IN FULL OPERATION.
- ⑨ NEW WALL MOUNTED AUTOMATIC TRANSFER SWITCH, NEMA 3R ENCLOSURE, SEE ELECTRIC SERVICE RISER DIAGRAM.
- ⑩ EXISTING FEEDER BETWEEN SERVICE ENTRANCE CABINET AND MAIN DISTRIBUTION PANEL TO BE REMOVED. PROVIDE NEW FEEDER FROM NORMAL SIDE OF ATS TO SERVICE CABINET, AND FROM LOAD SIDE OF ATS TO MAIN DISTRIBUTION PANEL. VERIFY CONDUIT ROUTINGS IN FIELD.
- ⑪ NEW UNDERGROUND FEEDER FROM GENERATOR SET MAIN CIRCUIT BREAKER TO EMERGENCY SIDE OF NEW AUTOMATIC TRANSFER SWITCH.
- ⑫ NEW STANDBY LP GENERATOR SET MOUNTED ON CONCRETE HOUSEKEEPING PAD.
- ⑬ NEW 1,000 GALLON ASME ABOVE-GROUND PROPANE STORAGE TANK. TANK MUST BE INSTALLED PER NFPA 58 REQUIREMENTS AND BE EQUIPPED WITH CATHODIC PROTECTION. TANK MUST BE COMPLETE WITH ALL ACCESSORIES. GAS DELIVERY PRESSURE FROM PRIMARY REGULATOR (AT TANK) TO SECONDARY REGULATOR (AT GENERATOR) IS 5 PSI. PROPANE TANK AND HOLD-DOWNS FURNISHED AND INSTALLED BY CONTRACTOR.
- ⑭ NEW HOLD-DOWN STRAP CONNECTED TO CONCRETE PAD TIE DOWNS TO PREVENT MOVEMENT, "TYPICAL". CONCRETE PAD AND HOLD-DOWN STRAPS FURNISHED AND INSTALLED BY CONTRACTOR.
- ⑮ NEW TANK DOME CONTAINING FILL CONNECTION, PRIMARY (FIRST STAGE) GAS PRESSURE REGULATOR, REGULATOR VENT AND GAUGES. OUTLET PRESSURE OF PRIMARY GAS REGULATOR TO BE SET AT 5 PSI. ACCESSORIES LISTED ABOVE SHALL BE SUPPLIED WITH TANK. TANK AND ACCESSORIES FURNISHED AND INSTALLED BY CONTRACTOR, "TYPICAL".
- ⑯ NEW 3/4" (5 PSI) UNDERGROUND GAS LINE TO GENERATOR.
- ⑰ NEW SECOND STAGE GAS REGULATOR WITH BALL VALVE SHUT-OFF, 5 PSI INLET PRESSURE AND 8" WC OUTLET PRESSURE. REGULATOR SHALL BE EQUAL TO MAXITROL MODEL #2100. CONNECTED LOAD 2,150,000 BTUH.
- ⑱ FLEX HOSE CONNECTION TO ENGINE SUPPLIED WITH GENERATOR SET, INSTALLED BY PLUMBING CONTRACTOR.
- ⑲ PROVIDE NEW CONCRETE FILLED PROTECTIVE BOLLARDS AT FUEL TANKS AND GENERATOR SET, "TYPICAL", SEE DETAIL.



Designed By: MMV/GLD  
Drawn By: MMV  
Checked By: MMV  
CAD File:

**GENERAL DRAFTING & DESIGN, INC.**  
CONSULTING ENGINEERS  
1000 North Main Street  
North Haven, Connecticut 06473  
P: 203.236.6618 F: 203.236.7275  
e: gdd@mead.net

Drawing Scale: 1/4" = 1'-0"

Rev.	Date	Revision	By

Drawing date: August 31, 2018

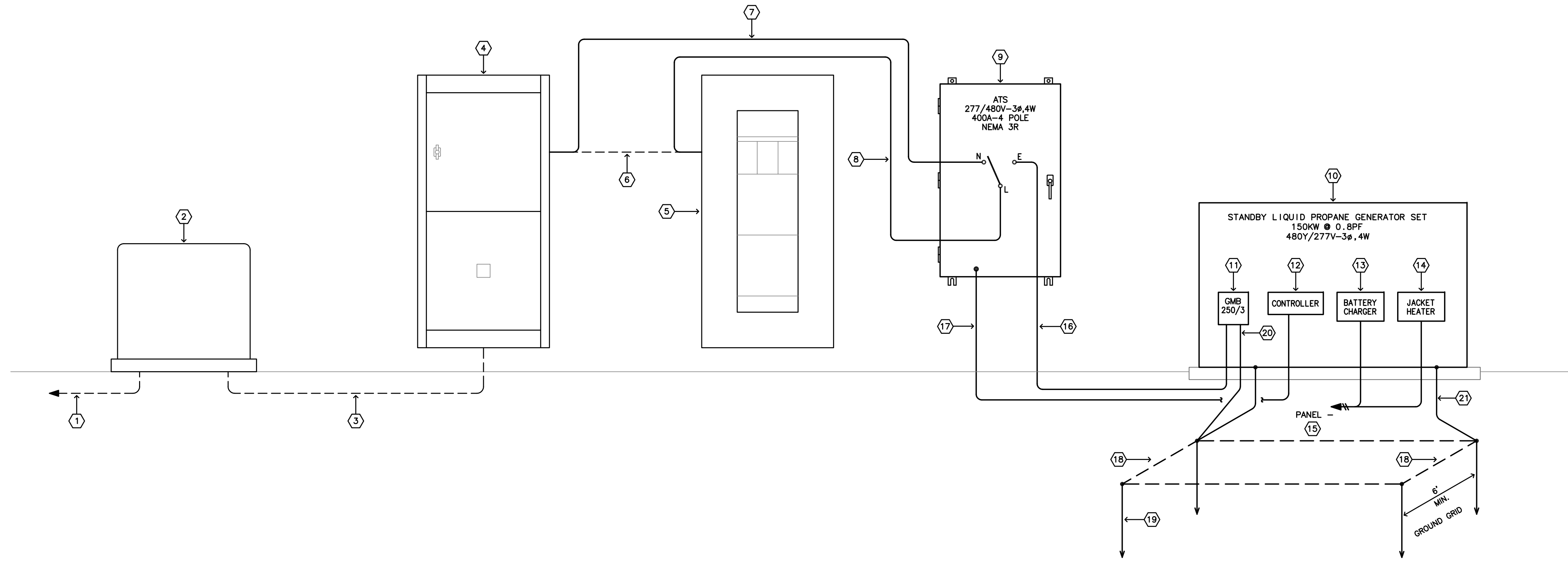
**ELECTRICAL SITE PLAN**  
PREPARED FOR  
**BERLIN WATER CONTROL COMMISSION**  
ELTON ROAD  
Berlin, Connecticut

**Lenard Engineering, Inc.**  
Civil, Environmental and Hydrogeological Consultants  
2210 MAIN STREET  
GASTONBURY, CT  
(860) 659-3100

15 Melissa Drive  
Aurum, MA  
(508) 721-7880

140 Willow Street  
WINDSTED, CT  
(860) 379-6669

Drawing #: **E-2**  
Job #: 18-331



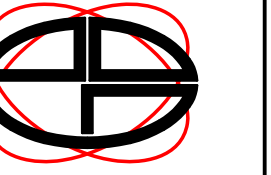
**ELECTRIC SERVICE RISER DIAGRAM**  
NTS

**LEGEND — PANEL RISER DIAGRAM**

- ① EXISTING UNDERGROUND PRIMARY ELECTRIC SERVICE TO REMAIN.
- ② EXISTING PAD MOUNT UTILITY POWER TRANSFORMER TO REMAIN.
- ③ EXISTING UNDERGROUND SECONDARY ELECTRIC SERVICE TO REMAIN.
- ④ EXISTING COMBINATION SERVICE ENTRANCE CABINET, 400A-277/480V-3ø,4W, TO REMAIN.
- ⑤ EXISTING MAIN DISTRIBUTION PANEL TO REMAIN, 400A-277/480V-3ø,4W.
- ⑥ EXISTING FEEDER BETWEEN SERVICE ENTRANCE CABINET AND MAIN DISTRIBUTION PANEL TO BE REMOVED.
- ⑦ NEW 4 #600Kcmil + 1 #3 GND. - 4". FROM SERVICE CABINET TO NORMAL FEED OF TRANSFER SWITCH.
- ⑧ NEW 4 #600Kcmil + 1 #3 GND. - 4". FROM DISTRIBUTION PANEL TO LOAD SIDE OF TRANSFER SWITCH.
- ⑨ NEW AUTOMATIC TRANSFER SWITCH, 400A-4 POLE, 277/480V-3ø,4W. OPEN TRANSITION, NEMA 3R ENCLOSURE, WITH AUXILIARY CONTACTS.
- ⑩ NEW STANDBY GENERATOR SET, 150KW-277/480V-3ø,4W, MOUNTED ON CONCRETE PAD.
- ⑪ NEW 250A-3P GENERATOR SET MAIN CIRCUIT BREAKER.
- ⑫ NEW GENERATOR SET CONTROLLER.
- ⑬ NEW SET MOUNTED BATTERY CHARGER, 120V-1ø, PREWIRED TO TERMINAL STRIP AT FACTORY.
- ⑭ NEW WATER JACKET HEATER, 1500W-120V-1ø, PREWIRED TO TERMINAL STRIP AT FACTORY.
- ⑮ NEW 2 #12 + 1 #12 GND. - 1" PVC SCH.40 CONDUIT TO 20A-2P BRANCH CIRCUIT BREAKER.
- ⑯ NEW 4 #250Kcmil + 1 #2 GND. - 3" PVC. SCH.40 CONDUIT.
- ⑰ NEW GENERATOR SIGNAL WIRING: 5 #12 - 1" PVC SCH.40 CONDUIT, VERIFY REQUIREMENTS WITH MANUFACTURER.
- ⑱ NEW #3/0 BARE STRANDED Cu GROUND GRID.
- ⑲ NEW 5/8" DIA. x 8' LONG COPPERCLAD GROUND ROD, "TYPICAL FOR 4".
- ⑳ NEW 1 #2 Cu. SERVICE GROUND TO GROUND GRID.
- ㉑ NEW 1 #3/0 Cu BOND TO GENERATOR DUNNAGE, "TYPICAL".

Designed By: MMV/GLD  
Drawn By: MMV  
Checked By: MMV  
CAD File:

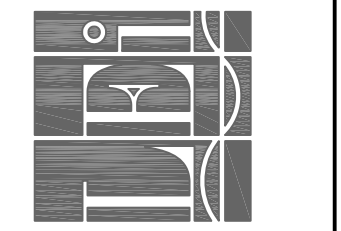
**GENERAL DRAFTING & DESIGN, INC.**  
CONSULTING ENGINEERS  
Professional Engineers  
North Haven, Connecticut 06473  
P: 203.236.6618 F: 203.236.7275  
e: gdd@meadmet.com



Drawing Scale: NONE  
Drawing date: August 31, 2018

**ELECTRIC SERVICE RISER DIAGRAM**  
PREPARED FOR  
**BERLIN WATER CONTROL COMMISSION**  
ELTON ROAD  
Berlin, Connecticut

**Lenard Engineering, Inc.**  
Civil, Environmental and Hydrogeological Consultants  
2210 MAIN STREET  
GASTONBURY, CT  
(860) 659-3100  
15 Milsome Drive  
Aurum, MA  
(508) 721-7680  
140 Willow Street  
WANSTEAD, CT  
(860) 379-6669



Drawing #: **E-3**  
Job #: 18-331