

LTP4/LTP5/A34/A35

Framing Angles and Plates

The larger LTP5 spans subfloor at the top of the blocking or rim board. The embossments enhance performance.

The LTP4 Lateral Tie Plate transfers shear forces for top plate-to-rim board or blocking connections. Nail holes are spaced to prevent wood splitting for single and double top plate applications. May be installed over plywood sheathing.

The A35 angle's exclusive bending slot allows instant, accurate field bends for all two- and three-way ties. Balanced, completely reversible design permits the A35 to secure a great variety of connections.

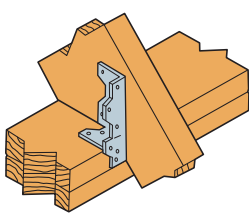
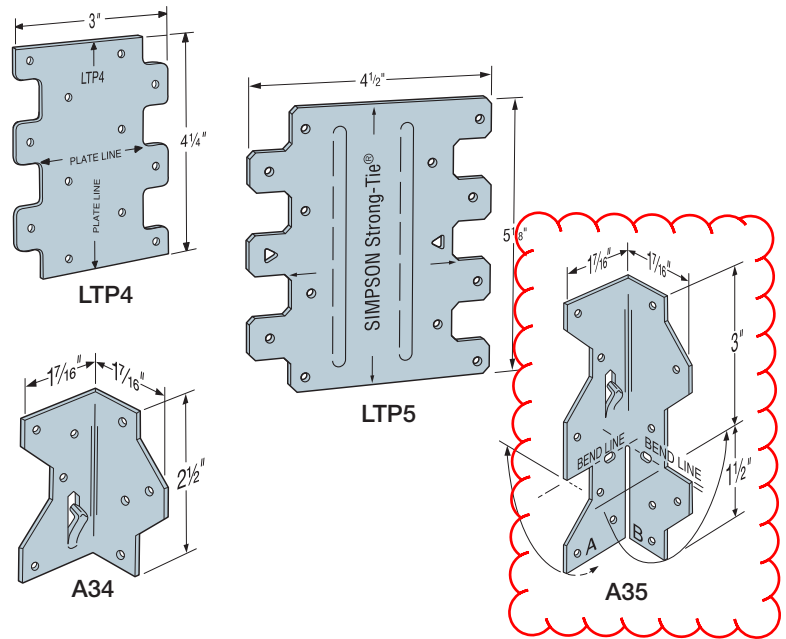
Material: LTP4/LTP5 — 20 gauge; all others — 18 gauge

Finish: Galvanized. Some products available in stainless steel or ZMAX® coating; see Corrosion Information, pp. 15–18.

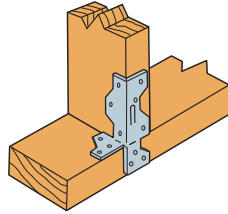
Installation:

- Use all specified fasteners; see General Notes
- A35 — Bend one time only

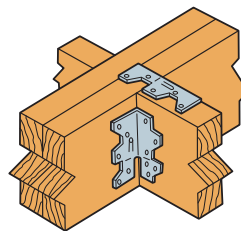
Codes: See p. 14 for Code Reference Key Chart



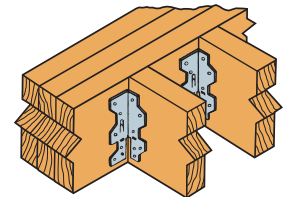
Joists to Plate with A Leg Inside



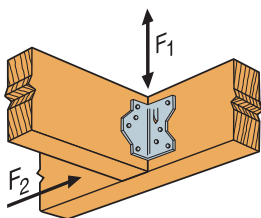
Studs to Plate with B Leg Outside



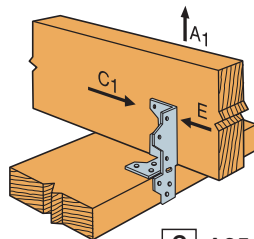
Joists to Beams



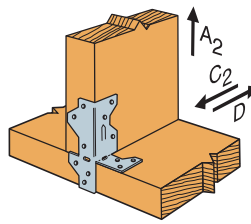
Ceiling Joists to Beam



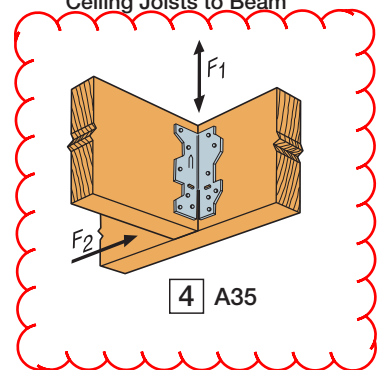
1 A34



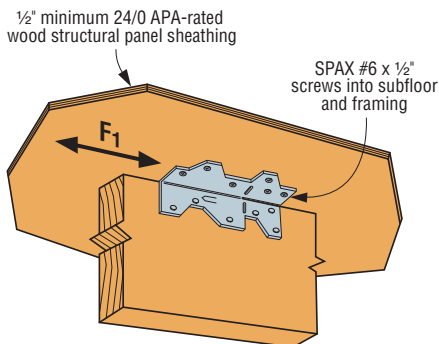
2 A35



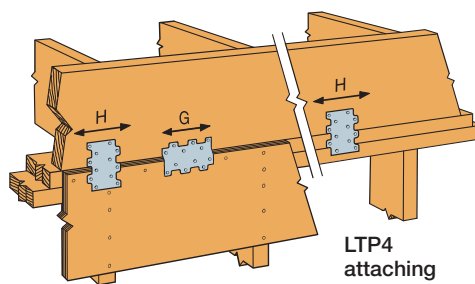
3 A35



4 A35

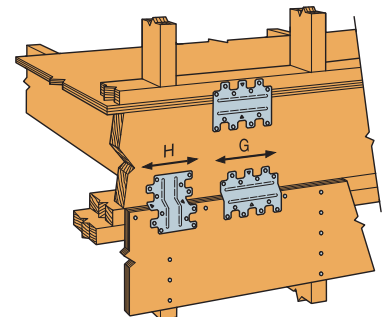


5 A35



6 LTP4 Installed over Wood Structural Panel Sheathing

LTP4 attaching Top Plates to Rim Board



7 LTP5 Installed over Wood Structural Panel Sheathing

LTP4/LTP5/A34/A35

Framing Angles and Plates (cont.)

These products are available with additional corrosion protection. For more information, see p. 18.

These products are approved for installation with the Strong-Drive® SD Connector screw. See pp. 39–40 for more information.

Model No.	Type of Connection	Fasteners	Direction of Load	DF/SP Allowable Loads			SPF/HF Allowable Loads			Code Ref.
				Floor (100)	Roof (125)	(160)	Floor (100)	Roof (125)	(160)	
SS A34	1	(8) 8d x 1½"	F ₁	395	485	515	340	415	445	IP1, L5, L18, FL
			F ₂ ⁶	395	455	455	340	390	390	
	1	(8) #9 x 1½" SD	F ₁	640	640	640	550	550	550	I27, L5, FL
			F ₂	495	495	495	425	425	425	
			Uplift	240	240	240	170	170	170	
SS A35	2	(9) 8d x 1½"	A ₁ , E	295	365	395	255	315	340	IP1, L5, L18, FL
			C ₁	210	210	210	180	180	180	
	3	(12) 8d x 1½"	A ₂	295	365	380	255	315	325	
			C ₂	295	365	370	255	315	320	
			D	230	230	230	200	200	200	
	4	(12) 8d x 1½"	F ₁	595	695	695	510	600	600	
			F ₂ ⁶	595	670	670	510	575	575	
5	(12) #6 x ½" SPAX	F ₁	420	420	420	360	360	360	170	
LTP4	6	(12) 8d x 1½"	G	580	670	670	500	570	575	IP1, L5, L18, FL
			H	580	600	600	500	515	515	
LTP5	7	(12) 8d x 1½"	G	580	620	620	500	535	535	IP1, L18, FL
			H	545	545	545	470	470	470	

1. Allowable loads are for one angle. When angles are installed on each side of the joist, the minimum joist thickness is 3".
2. Some illustrations show connections that could cause cross-grain tension or bending of the wood during loading if not reinforced sufficiently. In this case, mechanical reinforcement should be considered.
3. LTP4 can be installed over ¾" wood structural panel sheathing with 8d x 1½" nails and achieve 0.72 of the listed load, or over ½" and achieve 0.64 of the listed load. 8d commons will achieve 100% load.
4. LTP4 satisfies the IRC continuously sheathed portal frame (CS-PF) framing anchor requirements when installed over raised wood floor framing per Figure R602.10.6.4.
5. The LTP5 may be installed over wood structural panel sheathing up to ½" thick using 8d x 1½" nails with no reduction in load.
6. Connectors are required on both sides to achieve F₂ loads in both directions.
7. A34 and A35 installed with 8d x 1½" nails onto 1¼" LSL material will achieve 0.90 of the listed F₁ and F₂ loads.
8. **Fasteners:** 8d x 1½" = 0.131" dia. x 1½" long; SPAX #6 x ½" = 0.138" dia. x ½" long. See pp. 26–27 for other nail sizes and information.

