



## Haddam-Killingworth High School Auditorium Renovation

95 Little City Road  
Higganum, CT  
06441  
Friar Project #: 2017-105A

### Addendum #1

May 21, 2018

#### Bid Requirements:

1. To encourage additional bids, the owner has modified the bid process to eliminate the attendance requirement for the walk through. Contact Doug Rogers, CREC Senior Project Manager, at [drogers@crec.org](mailto:drogers@crec.org) if you missed the mandatory walk through on Friday, May 18 and wish to submit a bid. We encourage a site visit prior to submitting a bid, as you will be responsible for understanding the existing conditions of the site and project location, but it is not a requirement.
2. The awarded contractor will be responsible for coordination of simultaneous Owner contracts occurring in the Auditorium (seat replacements, carpeting). Weekly Owner meetings will be held to schedule the work of these separate contracts.

#### **Response to Bidder's Questions:**

##### Questions:

- a. They show aisle lighting at the auditorium seating. How do we get power to the lights? **There is existing power located at the seats. See spec sheets for new aisle light and AD LED Driver**
- b. Pumice CMU wall listed as "A". Please have them explain if its new (shows existing on plan)? **Existing except at door in-fill. See A1.1 for wall tag call out.**
- c. Do we need to provide engineering for ramp support metal framing? **Yes, you need to provide engineering for the ramp support metal framing.**
- d. Will the seats still be out when we paint the Auditorium ceiling & mech ducts/pipes? **Yes, the seats will be out.**

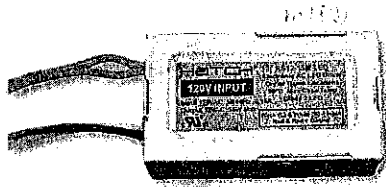
##### **Attachments:**

- **Sign-in Sheet**
- **AC LED Driver spec sheet**
- **Aisle lights spec sheet**

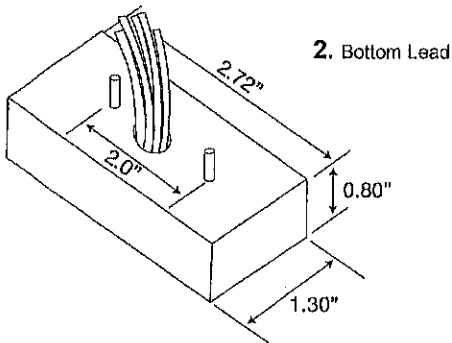
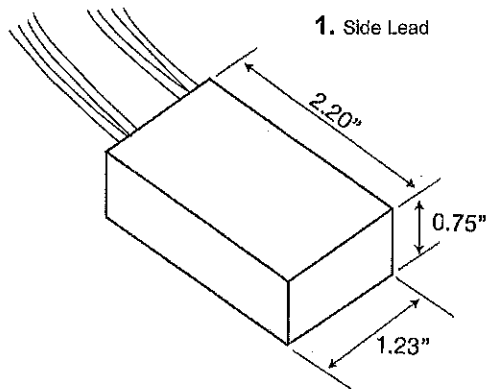
May 18, 2018 Walk through Sign-in Sheet  
Monica Vergara Diversity Construction Group  
Estimating@diversitycg.com

**ELECTRONIC RS LED SERIES**  
No Minimum Load - Full Range Dimming

**NEW RS LED SERIES**



**PHYSICAL DIMENSIONS**



Dimensions: +/- 0.02"

**PACKING INFORMATION**

Carton Quantity: 100 count  
Carton Weight: 9lbs 15.2oz  
Unit Weight: 2.4oz

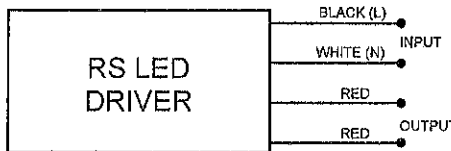
**SPECIFICATIONS**

Input Voltage	120VAC, 230VAC, 277VAC
Input Frequency	50/60Hz
Nominal Output Voltage	12VAC
Power Factor	0.90
Ambient Temp.	-20° - +50°C
Max. Case Temp. (Tc)	90°C
Class 2	Yes (Isolated Secondary)
Dimming	Yes
Short Circuit Protection	Yes
Case Material	Aluminum

**FEATURES**

- 1) Suitable for use with AC LED
- 2) Suitable for use with Halogen
- 3) Broader lamp compatibility
- 4) Broader dimmer compatibility
- 5) Recommended ELV dimming
- 6) Now available in 230V & 277V
- 7) For use in dry and damp locations

**WIRING SPECIFICATIONS**



Leads: 6", AWG#18 stranded, 300V, 105°C

**REGULATORY APPROVALS**

- RoHS Compliant
- UL8750 Compliant



Max Watts	Input Volts	Input Amps	Nominal Output Volts	Max Output Amps	Case Style	Hatch Part No.
15	120	0.15	12	1.30	1	RS12-15M-LED
					2	RS12-15BF-LED
	230	0.08	12	1.30	1	RS12-15M-LED-230
					2	RS12-15BF-LED-230
	277	0.07	12	1.30	1	RS12-15M-LED-277
					2	RS12-15BF-LED-277
30	120	0.30	12	2.50	1	RS12-30M-LED
					2	RS12-30BF-LED
	230	0.16	12	2.50	1	RS12-30M-LED-230
					2	RS12-30BF-LED-230
	277	0.13	12	2.50	1	RS12-30M-LED-277
					2	RS12-30BF-LED-277
60	120	0.60	12	5.00	1	RS12-60M-LED
					2	RS12-60BF-LED
	230	0.31	12	5.00	1	RS12-60M-LED-230
					2	RS12-60BF-LED-230
277	0.26	12	5.00	1	RS12-60M-LED-277	
				2	RS12-60BF-LED-277	

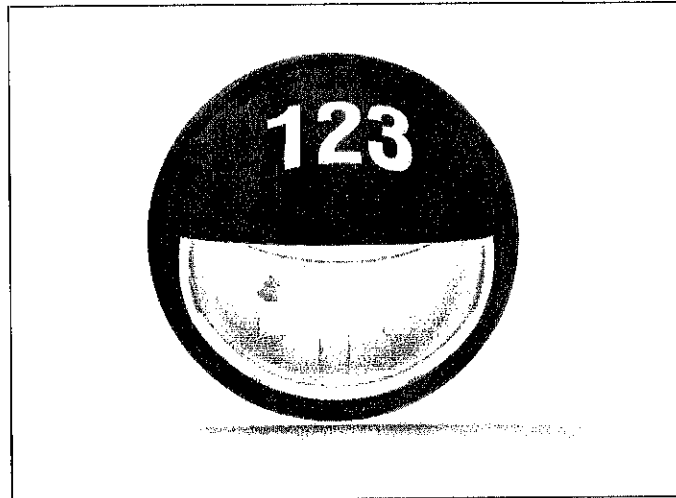
Please refer to LED product manufacturer data sheets for compatibility with the RS LED products. Hatch does not perform compatibility and/or dimmer compatibility testing with other manufacturers LED lamp products. See lamp manufacturers listings of approval of their products with our drivers.



# 12V Beacon Seat Light

CAT:	FEET:
------	-------

TYPE:	PROJECT:
-------	----------



Non-intrusive, glare-free illumination with improved LED guide lighting of aisles and steps.

### Features

- This compact, spherical, polycarbonate fixture with an ergonomically friendly design eliminates knee hazards.
- Beacon fixture mounts to seats and other surfaces with 3 screw assembly.
- Dome is permanently sealed to mounting base for secure weather and vandal-proof installation. 48" "Super-Flex" conduit is included for wire way connection.
- Optional row indicator features wide viewing window with edge lit illumination and etched alphanumeric display.
- LEDs - 3 LEDs for illumination, 2 LEDs for row indicator

### Mounting

Beacon mounts to wall, seat standard, pole and other surfaces. Bracket for pole mounting available for 1½" diameter pole, consult factory. Suitable for new construction and renovation.

### Applications

Ideal for illumination of indoor aisles and steps with seat, wall or pole mounting applications.

### Warranty

5 years

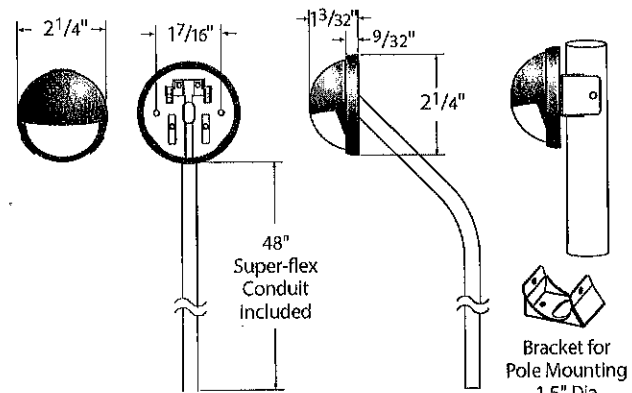


## Technical Information

*Lumens/module	44.52
*Watt/module With Row Indicator	0.72
*Watt/module Without Row Indicator	0.48
*Lumens/watt	60
CRI	>80/TYP83
Kelvin Temp	1900K, 2700K, 3000K, 3500K, 4000K (+/- 80K) 3SDCM Red, Blue, Amber
Rated Life	75,000 hrs.
Max Module/Feed With Row Indicator	78/60W
Max Module/Feed Without Row Indicator	100/60W
Operating Voltage	12V DC
Power Supply	Class 2
Dimmable	Yes

\* 3000K Sample

### Profile Dimensions



Sold as complete installation unit

## Recommended Power Supplies

CAT NO	APPLICATION	PRIMARY AND SECONDARY	TOTAL WATTAGE / AMPS PER BREAKER	LISTING	DIMENSIONS	ELECTRONIC OR AC MAGNETIC
JT-60-1-5-12-D	Indoor/Outdoor	120V AC / 12V DC	60 / 1X5A	cETLus	4.25"W X 8.50"L X 3.25"D	Magnetic
JTH-60-1-5-12-D		277V AC / 12V DC	60 / 1X5A	cETLus	4.25"W X 8.50"L X 3.25"D	Magnetic
JT-240-4-5-12-D		120V AC / 12V DC	240 / 4X5A	cETLus	8.50"W X 16.00"L X 4.50"D	Magnetic
JTH-240-4-5-12-D		277V AC / 12V DC	240 / 4X5A	cETLus	8.50"W X 16.00"L X 4.50"D	Magnetic

### Dimming

CAT NO	TYPE	CONTROL SIGNAL	INPUT VOLTAGE	OUTPUT VOLTAGE	MAX LOAD	BREAKER RATING	DIMENSIONS
N-600	AC MAGNETIC	N/A	120V AC	120V AC	450W	N/A	Recessed Single Gang Box
N-1000	AC MAGNETIC	N/A	120V AC	120V AC	800W	N/A	Recessed Single Gang Box

Tivoli, LLC. reserves the right to modify this specification without prior notice.



# 12V Beacon™ Seat Installation Instructions

Please verify the contents of the packages!

Please read instructions entirely before starting installation

Be sure power is turned off before installing or modifying the system

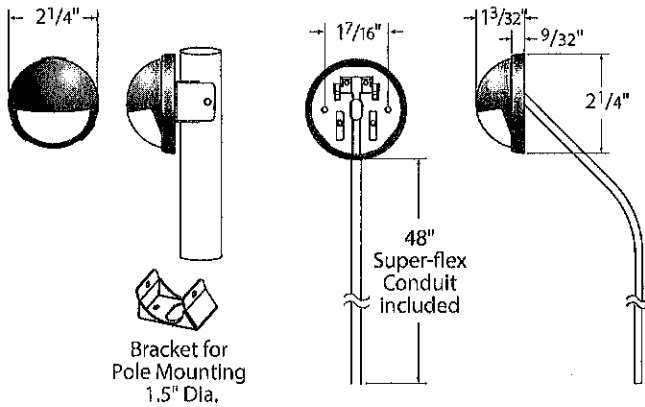
Call Tivoli, LLC tech support with questions

**Caution:** Beacon™ Seat Light is designed to work with listed Class 2 12V DC transformers only. Use of any other power source will cause damage, shorten the life of the fixture and will void the warranty.

**Consult** any and all applicable local and national codes for installation.

**Do not** conceal or extend exposed conductors through a building wall as per local electrical code.

**Warning:** With any luminaire for any application, basic safety precautions should always be followed to reduce the risk of fire, electric shock and personal injuries. This lighting system should be installed by a lighting professional.



## Installation Instructions



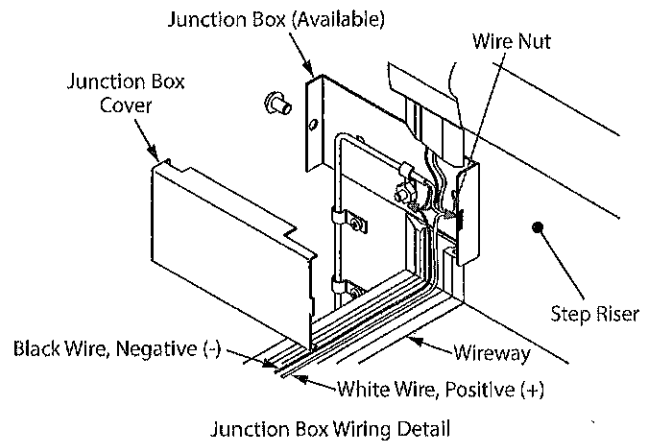
### Installation with Junction Box in Riser

**Step 1:** Measure the height, 15 to 18 inches from floor, for location of three (3) holes to be drilled. Use template below.

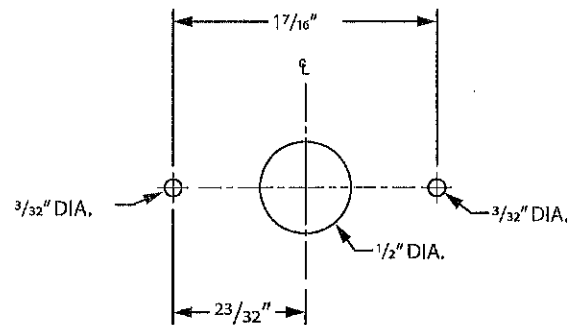
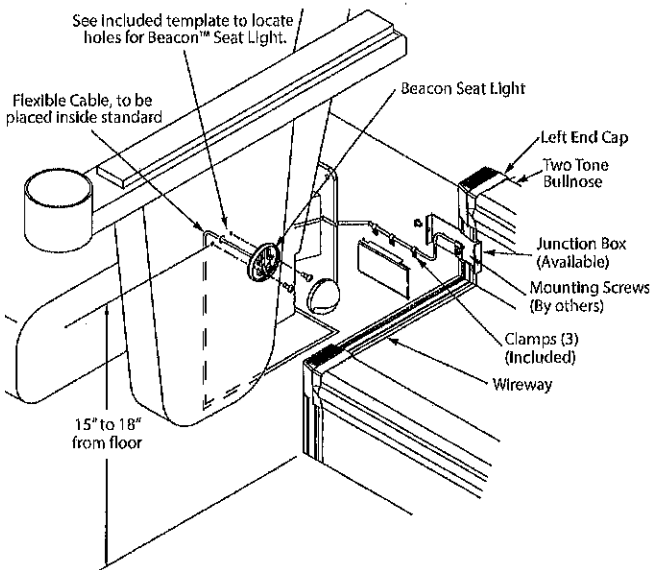
**Step 2:** Feed flexible cable through center hole to inside of seat frame and secure at bottom of frame with clamps (3) provided.

**Step 3:** Secure Beacon™ with #6 sheet metal screws (Included). Then, snap lens cover into place.

**Step 4:** The junction box must align with the wireway and be mounted on the vertical rise of the step so that the cutout of the junction box lines up with the wireway, see detail. Junction Box may be ordered separately. (Mounting screws by others.)



**Step 5:** Connect fixture cable to wireway cable to power, making sure the White Wire is connected to the positive (+) wire and the Black Wire is connected to the Negative (-) wire



Template for mounting Beacon to Seat  
(Caution! May not print at correct scale)