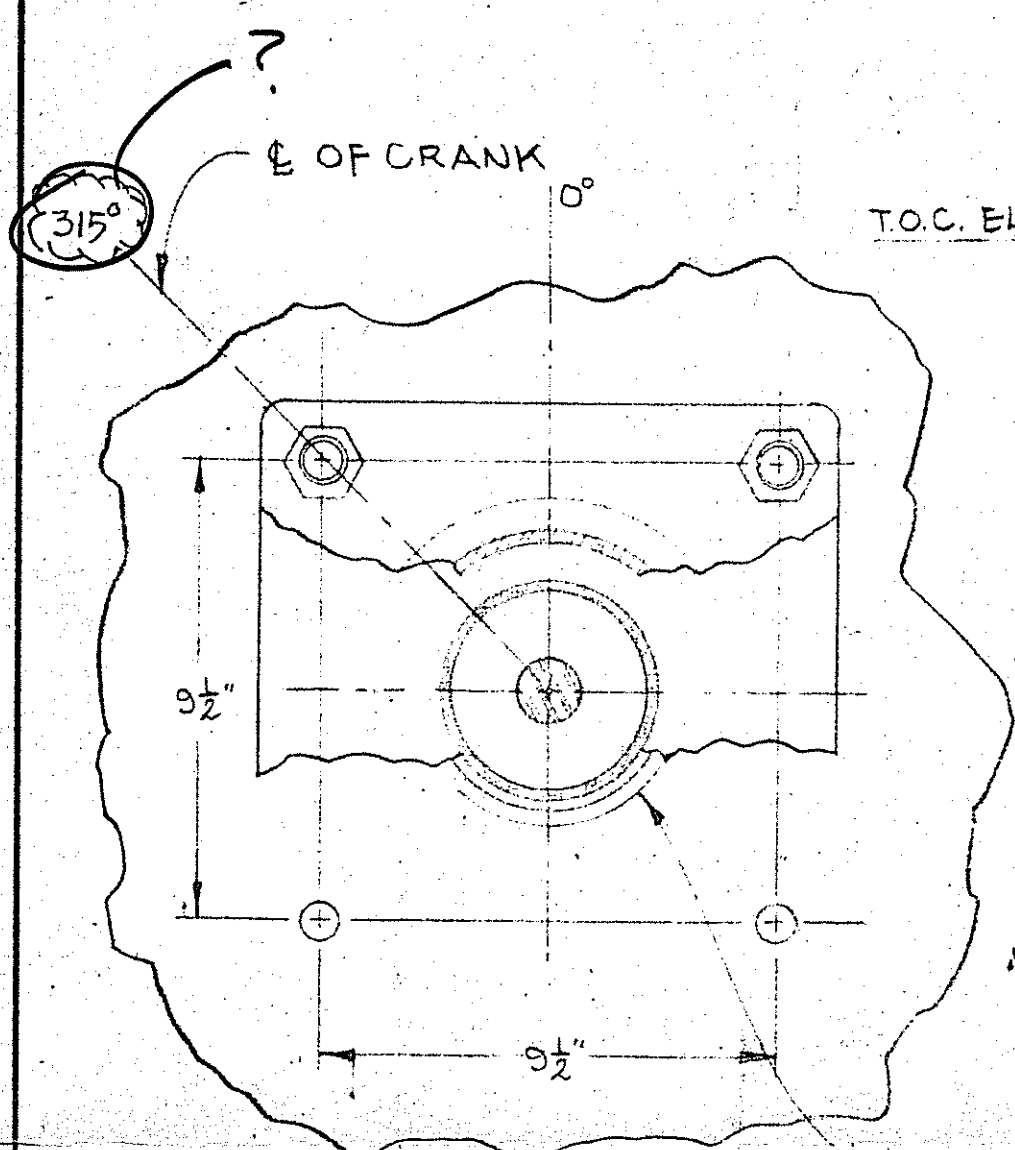


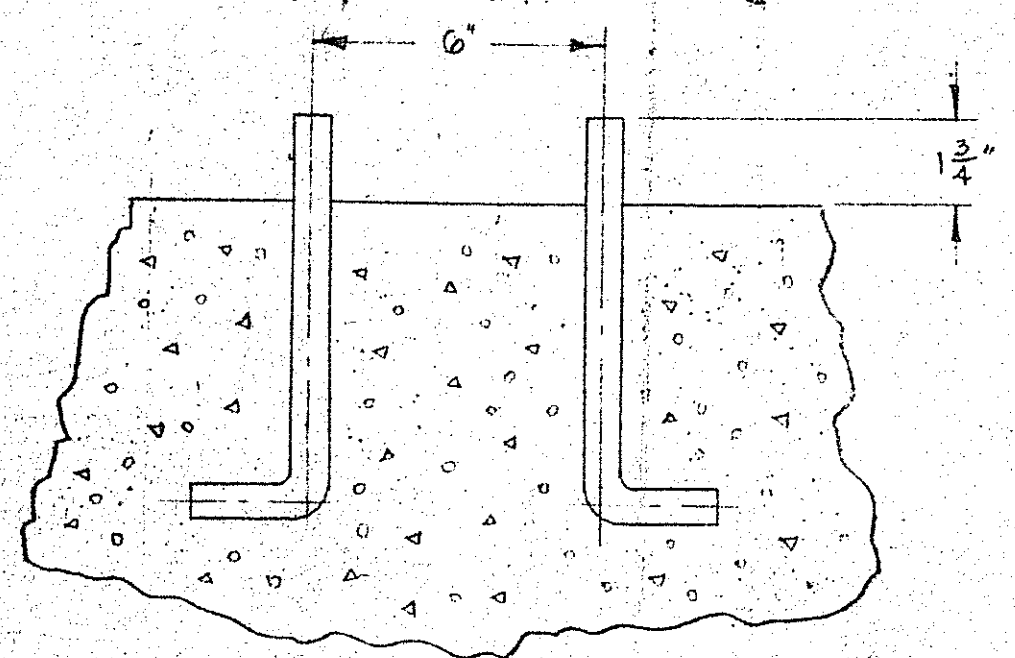
↑
PLAN NORTH



T.O.C. EL. 3.50
8"
PLEASE CONFIRM

SECTION "Y-Y"
SCALE: 1/4 SIZE

5" DIA. STD. CAST IRON PIPE x 8" LG.

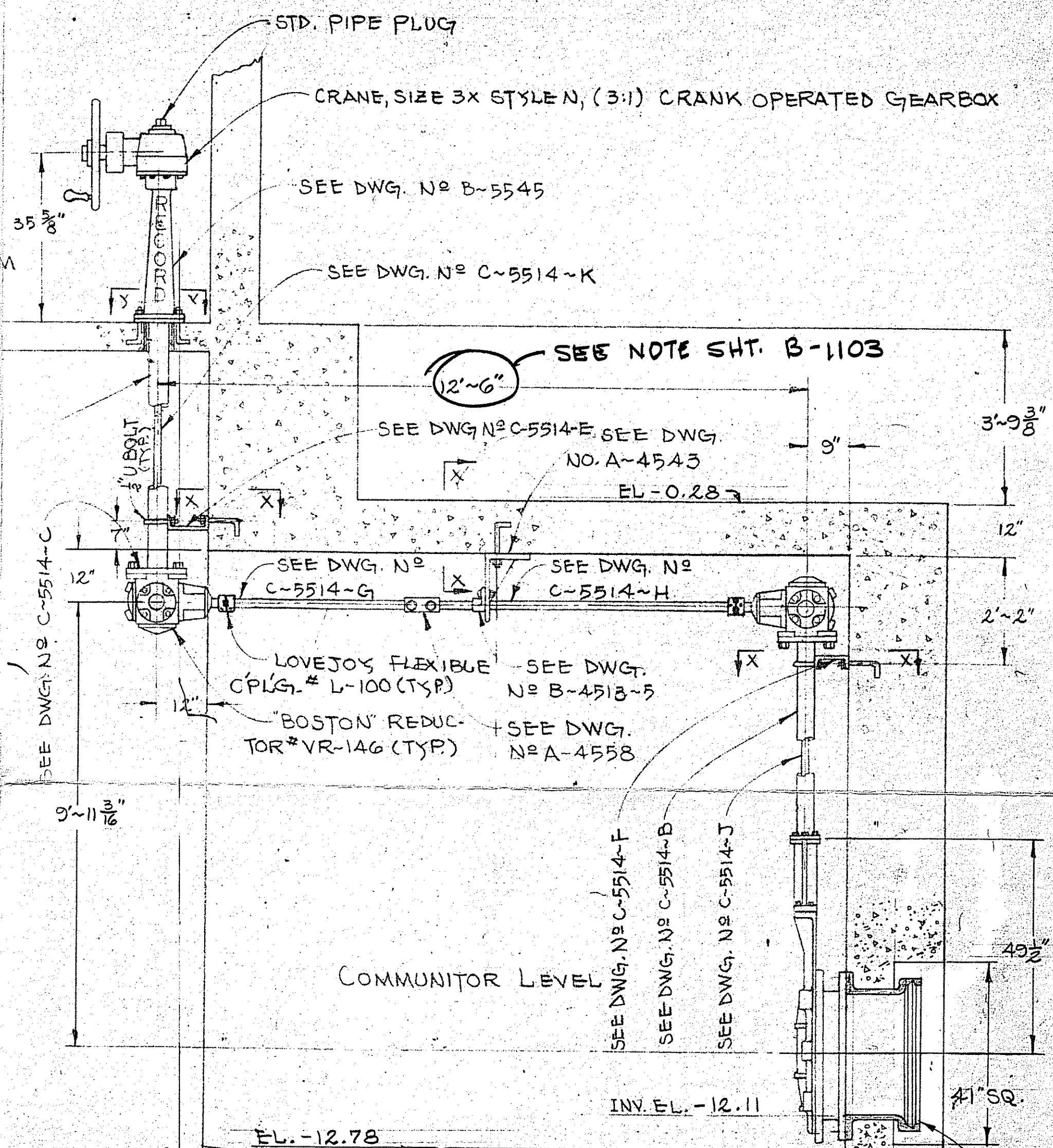


SECTION "X-X"
SCALE: 1/4 SIZE

~NOTES~

1. REF. DWG: B-1103 (FOR PLAN VIEW)
2. ANCHOR BOLTS:
 - a. PROJECTION: 3 3/8" EXCEPT AS NOTED.
 - b. MAT'L: ASTM A276 TYPE 304, S/S.
 - c. SIZE: 3/4" DIA. x 8" LG. W/ 2" HOOK.
3. VALVE: RECORD FIGURE 350, 24" DIA. SELF CONTAINED, FLANGED FRAME, STATIONARY STEM, FLUSH BOTTOM SLUICE GATE DWG NO C-2092.
4. REQ'D: (1) ONE

CONTROL ROOM



SHOP DRAWING

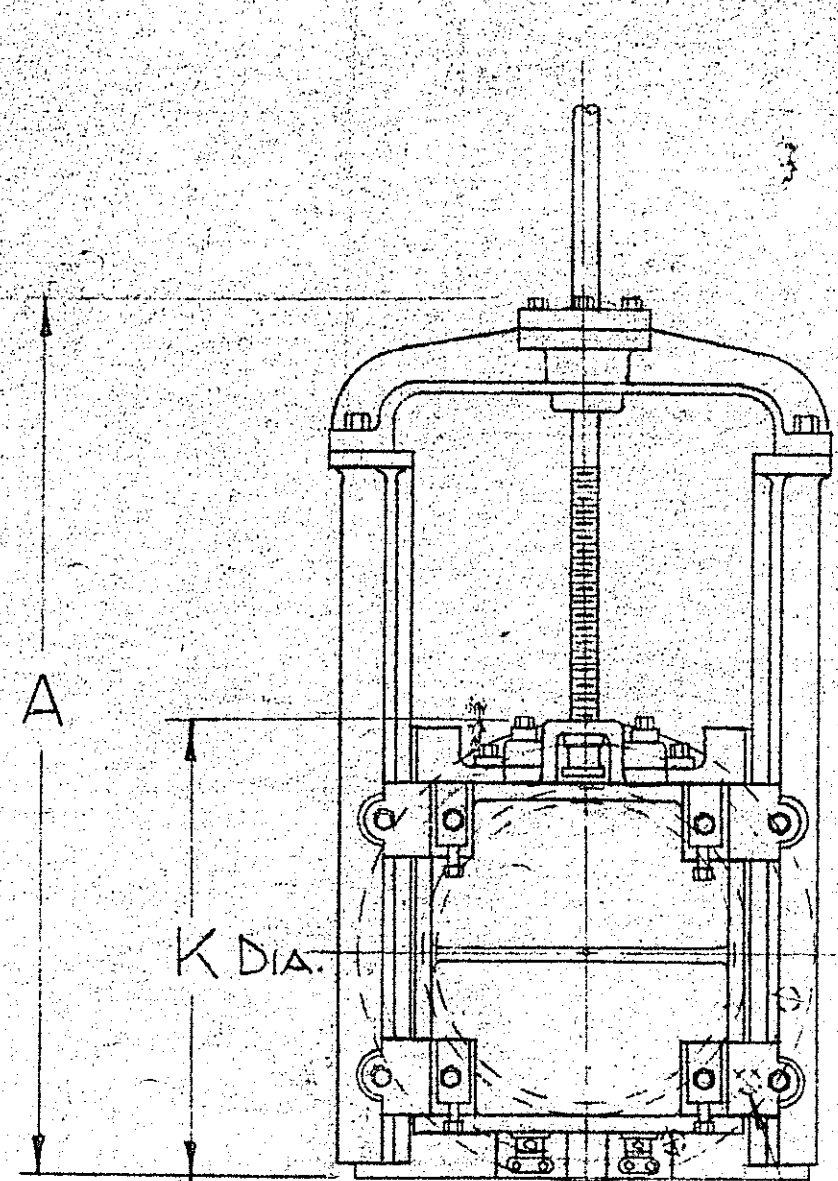
PROJECT 65170-11
DATE 7-16-73
APPROVED FOR GENERAL DESIGN CONFORMANCE ONLY. BY HWP

DIMENSIONS NOT CHECKED. THE CONTRACTOR IS RESPONSIBLE FOR ALL WORK AND MATERIALS INCLUDED IN THE CONTRACT AND FOR FITTING HIS WORK ACCURATELY TO ACTUAL CONDITIONS AT BUILDING OR STRUCTURE.

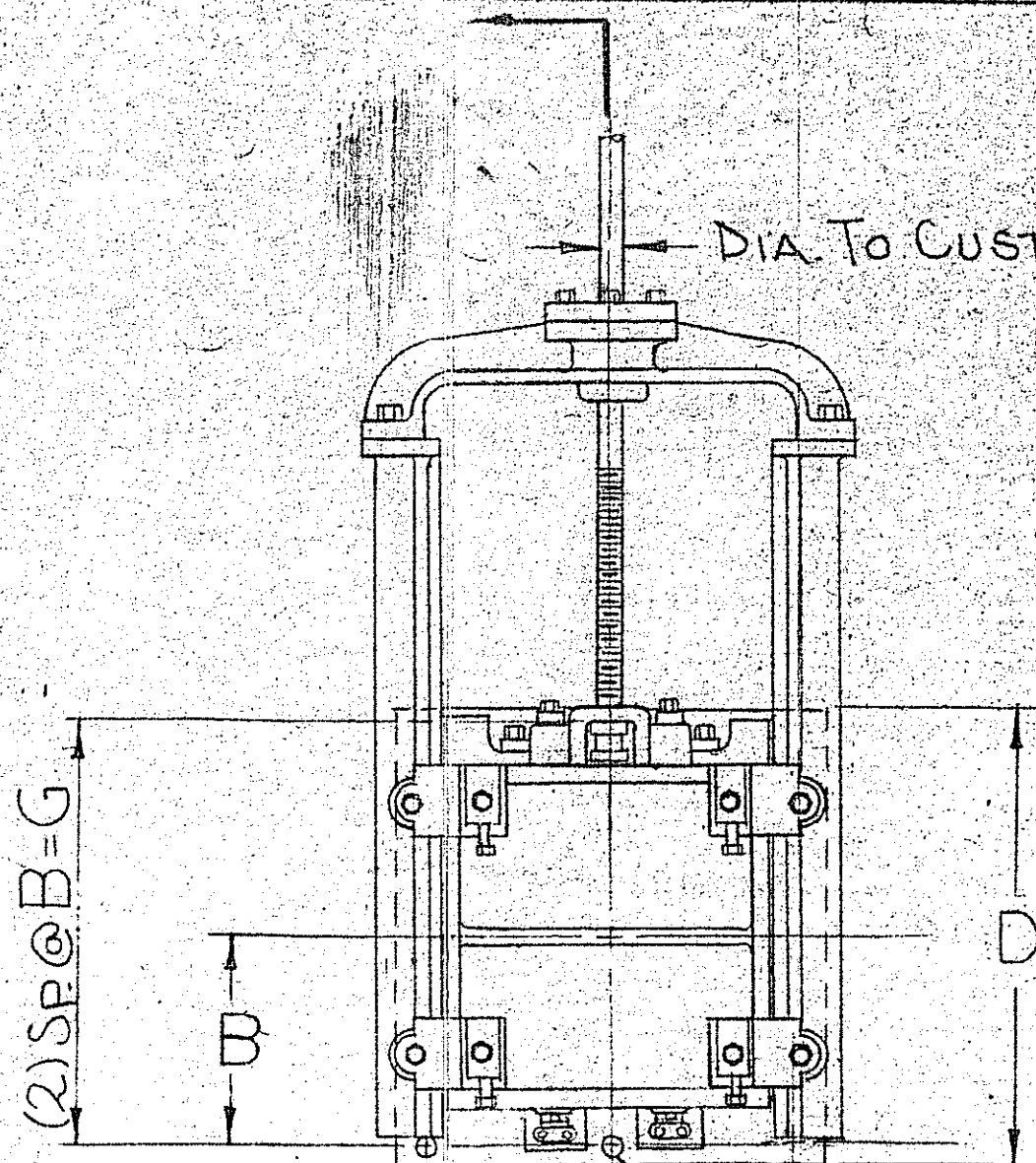
HAYDEN & HARDING
CONSULTING ENGINEERS BOSTON, MASS. 02135

RECORD CORP.			
LIVERMORE FALLS, MAINE			
NO. 11	NONE	REVISIONS	BY DATE
DATE	1/19/73		
DWG. BY	MEP		
AP. BY			
TITLE	INSTALLATION: LITTLE GIBRALTAR PUMPING STA.	NO.	C-1021

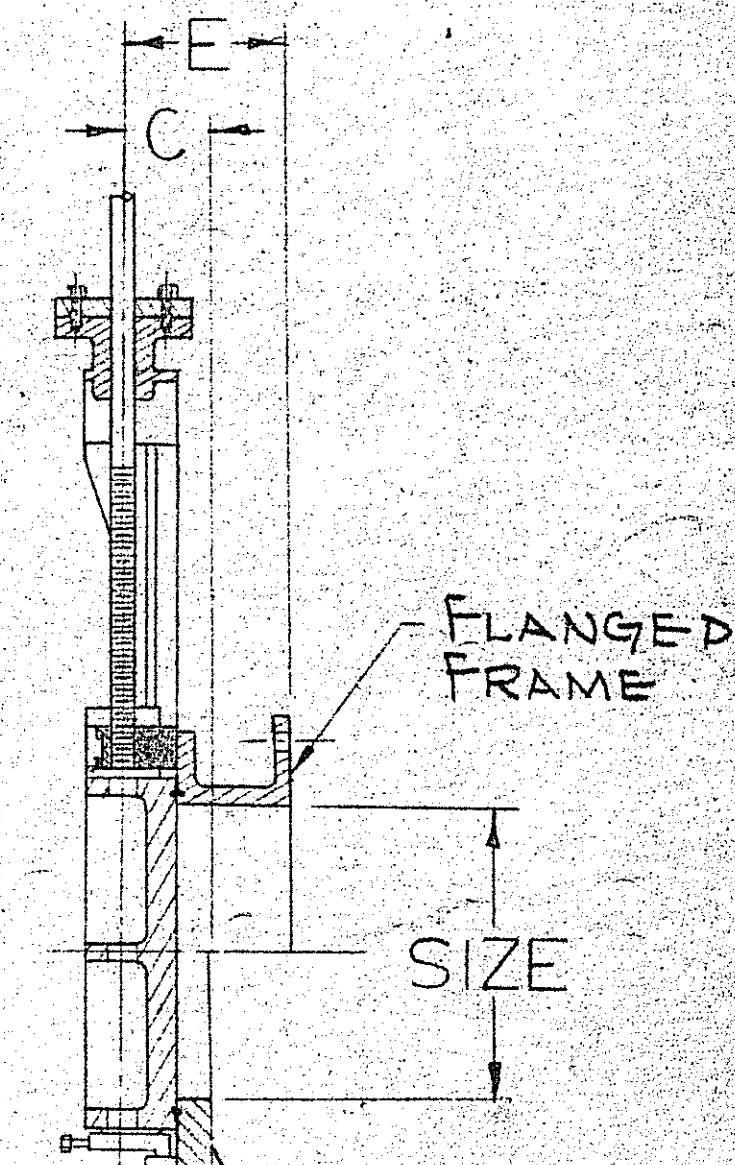
NOT BY RECORD
C-3507



CIRCULAR ORAFICE



SQUARE ORAFICE



L DIA., (N) HOLES EQ. SP. ON AN M DIA. BOLT CIRCLE

$\frac{7}{8}$ " DIA., (P) HOLES.

SHOP DRAWING	
PROJECT	65170-11
DATE	7-16-73
APPROVED FOR GENERAL DESIGN CONFORMANCE ONLY. BY	<i>ldw</i>
DIMENSIONS NOT CHECKED. THE CONTRACTOR IS RESPONSIBLE FOR ALL WORK AND MATERIALS INCLUDED IN THE CONTRACT AND FOR FITTING HIS WORK ACCURATELY TO ACTUAL CONDITIONS AT BUILDING OR STRUCTURE.	
HAYDEN & HARDING	
CONSULTING ENGINEERS BOSTON, MASS. 02122	

* CIRCULAR ORAFICE ONLY.
** SQUARE ORAFICE ONLY.

GATE MUST OPEN WIDE ENOUGH TO EXPOSE 100% PIPE OPENING

SIZE	A	B**	C	D**	E	F**	G**	K*	L	M	N	P	Q**
12"	38 $\frac{3}{4}$ "	8 $\frac{1}{2}$ "	3 $\frac{1}{2}$ "	19"	6 $\frac{3}{4}$ "	17"	17"	19"	$\frac{11}{16}$ "	17"	(12)	(6)	(1)
14"	45 $\frac{1}{4}$ "	9 $\frac{1}{2}$ "	4"	21"	7"	19"	19"	21"	$\frac{13}{16}$ "	18 $\frac{3}{4}$ "	(12)	(6)	(1)
16"	48 $\frac{3}{4}$ "	10 $\frac{3}{4}$ "	4"	23 $\frac{1}{2}$ "	7 $\frac{1}{2}$ "	21 $\frac{1}{2}$ "	21 $\frac{1}{2}$ "	23 $\frac{1}{2}$ "	$\frac{13}{16}$ "	21 $\frac{1}{4}$ "	(16)	(6)	(1)
18"	52 $\frac{1}{4}$ "	13"	4 $\frac{1}{2}$ "	28"	8"	26"	26"	25"	$\frac{13}{16}$ "	22 $\frac{3}{4}$ "	(16)	(6)	(1)
20"	59"	14"	4 $\frac{1}{2}$ "	31"	8 $\frac{1}{2}$ "	28"	28"	27 $\frac{1}{2}$ "	$\frac{13}{16}$ "	25"	(20)	(8)	(2)
24"	60 $\frac{1}{2}$ "	16"	5 $\frac{1}{2}$ "	34 $\frac{1}{2}$ "	9"	32"	32"	32"	$\frac{13}{16}$ "	25 $\frac{1}{2}$ "	(20)	(8)	(2)

SLUICE GATE VALVES
MODEL N°S
FW356, FW381, FW-383
SIZES 12" THRU 24" SQUARE
OR DIAMETRAL MEASURE
FULL WEDGES
IRON BODY BRONZE MOUNTED
DWN:T.E.F., DATE: 11/30/72, SCALE: NO

RECORD CORP.
LIVERMORE FALLS, MAINE

C-2090