



Addendum No.: 02

Date Of Addendum: September 6, 2018

CT DAS • Construction Services • Office of Legal Affairs, Policy, and Procurement

Repair of New Haven Correctional Center Garage
Department of Correction
245 Whalley Avenue
New Haven, CT
BI – JA – 462

Original Bid Due Date / Time:

September 26, 2018

1:00 PM

Previous Addendums: Addendum No. 1 Dated August 15, 2018

TO: Prospective Bid Proposers:

This Addendum forms part of the "Contract Documents" and modifies or clarifies the original "Contract Documents" for this Project dated September 8, 2017. Prospective Bid Proposers **shall** acknowledge receipt of the total number the Addenda issued for this Project on the space provided on Section 00 41 00 Bid Proposal Form.

Failure to acknowledge receipt of the total number the Addenda issued for this Project on the space provided on Section 00 41 00 Bid Proposal Form **shall** subject Bid Proposers to disqualification.

The following clarifications are applicable to drawings and specifications for the project referenced above.

Item 1:

On Drawing S-9

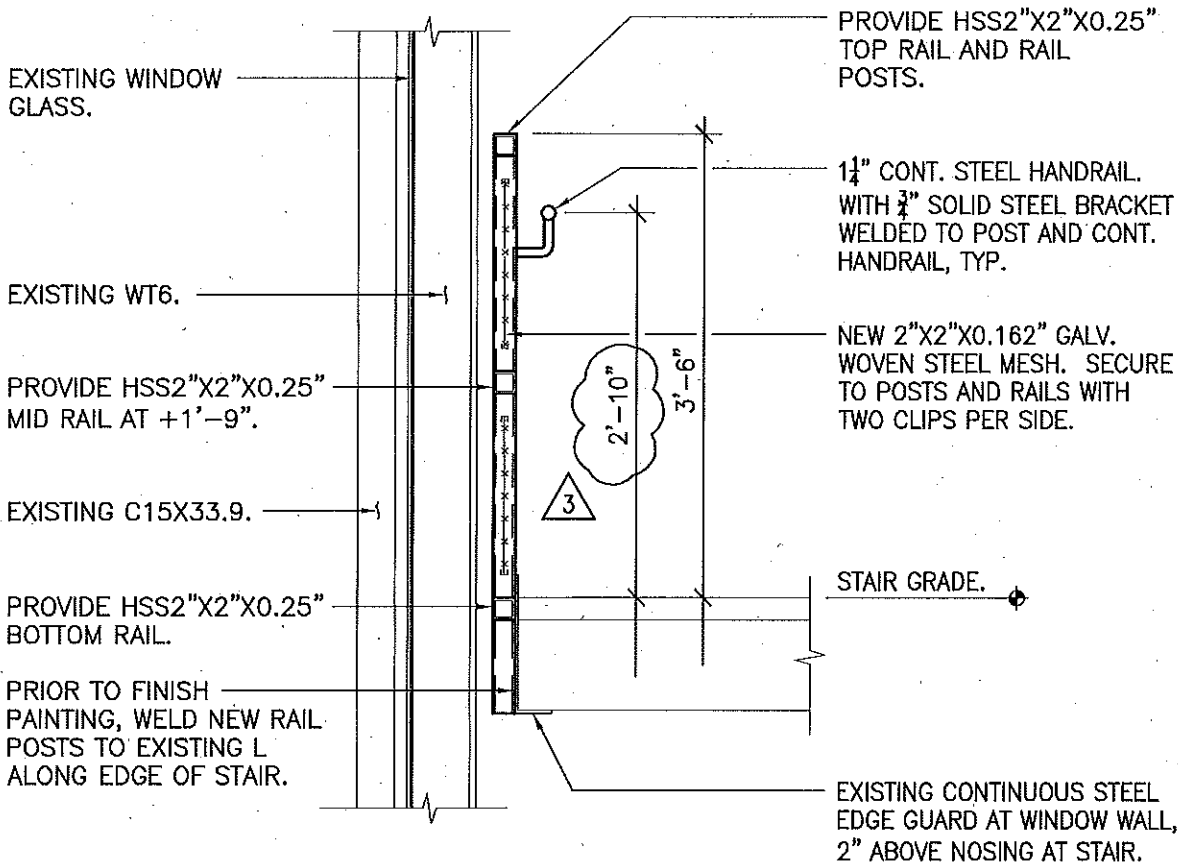
DELETE: STAIR GUARD DETAIL 11/S-9**ADD:** Sketch SK-1 REVISED STAIR GUARD DETAIL 11/S-9 showing revised hand rail height.

All questions must be **written** (not verbal or by phone) and must be forwarded to the consulting Engineer (Douglas Camp, Email: dcamp@macchiengineers.com) with copies sent to the DAS/CS Project Manager (Carlton A. Grodotzke, Email: carltongrodotzke@ct.gov).

End of Addendum 02

Mellanee Walton, Associate Fiscal Administrative Officer
State of Connecticut

Department of Administrative Services, Construction Services
Office of Legal Affairs, Policy, and Procurement



STAIR GUARD DETAIL

SCALE: $\frac{3}{4}'' = 1'-0''$

11
S-9

drawing title
REVISED STAIR GUARD DETAIL 11/S-9

STATE OF CONNECTICUT
DEPARTMENT OF CONSTRUCTION SERVICES

REVISIONS		
mark	date	description
3	8/28/18	ADDENDUM NO. 02

DRAWING PREPARED BY
MACCHI ENGINEERS, LLC
44 GILLETT STREET, HARTFORD, CT 06105
PHONE: (860) 549-6190 FAX: (860) 524-5088

date
9/8/17
scale
AS NOTED

MACCHI ENGINEERS, L.L.C.
44 GILLETT STREET, HARTFORD CT.
PHONE: (860) 549-6190 FAX: (860) 524-5088

project
REPAIR OF NEW HAVEN
CORRECTIONAL CENTER GARAGE
245 WHALLEY AVENUE
NEW HAVEN, CONNECTICUT
project no.
BI-JA-462

drawn by
D.T.C.
approved by
M.P.
drawing no.
SK-1