

ADDENDUM NO.: FOUR

DATE OF ADDENDUM: January 12, 2016

**NEW MANUFACTURING TECHNOLOGY CENTER  
ASNUNTUCK COMMUNITY COLLEGE  
170 ELM STREET  
ENFIELD, CT  
BI-CTC-488**

Original Bid Due Date / Time:

January 20, 2016

1:00 PM

Previous Addenda: Addendum #3 dated 1/12/2016, Addendum #2 dated 12/23/2015, Addendum #1 dated 12/16/2015

**TO: Prospective Bid Proposers:**

This Addendum forms part of the "Contract Documents" and modifies or clarifies the original "Contract Documents" for this Project dated October 28, 2015. Prospective Bid Proposers shall acknowledge receipt of the total number of the Addenda issued for this Project on the space provided on Section 00 41 00 Bid Proposal Form. Failure to do may subject Bid Proposers to disqualification.

The following clarifications are applicable to drawings and specifications for the project referenced above.

**PREVIOUSLY ISSUED ADDENDA**

**Item 1**

ADDENDUM NUMBER THREE, BIDDER QUESTIONS AND ANSWERS, NO. 1:

DELETE text that reads:

"May 1, 2016, approximately."

and REPLACE with text to read:

"It is expected that a contract will be issued no later than 90 days from the bid opening date. Currently this would be approximately May 1, 2016."

**SPECIFICATIONS**

NO CHANGE BY THIS ADDENDUM

**DRAWINGS**

**Item 2**

DRAWING A3.5 - WALL SECTIONS

REVISE Sun Shade Detail 4/A3.5 as shown by sketch AD4-SK-A3.5.1 entitled SUN SHADE DETAIL dated 1/12/2016 attached to and issued with this Addendum.

**Item 3**

DRAWING A3.6 - WALL SECTIONS

1. REVISE Curtain Wall Parapet Detail 1/A3.6 as shown by sketch AD4-SK-A3.6.1 entitled CURTAIN WALL PARAPET DETAIL dated 1/12/2016 attached to and issued with this Addendum.
2. REVISE Plate Detail 4B/A3.6 as shown by sketch AD4-SK-A3.6.2 entitled PLATE DETAIL dated 1/12/2016 attached to and issued with this Addendum.

**ADDENDUM NO.: FOUR**

**DATE OF ADDENDUM: January 12, 2016**

3. **REVISE** Plate Detail 5B/A3.6 as shown by sketch AD4-SK-A3.6.3 entitled PLATE DETAIL dated 1/12/2016 attached to and issued with this Addendum.
4. **REVISE** Sun Screen Frame Elevation 4C/A3.6 as shown by sketch AD4-SK\_A3.6.4 entitled SUN SCREEN FRAME ELEVATION dated 1/12/2016 attached to and issued with this Addendum.

**Item 4**

DRAWING S6.2 - GENERAL NOTES, TYPICAL MASONRY DETAILS: **REVISE** Masonry Wall Reinforcing Schedule as follows: under vertical reinforcing **CHANGE**

"NO VERTICAL REINFORCING REQUIRED"

to the following:

"REINFORCE ALL WALLS GREATER THAN 12 FEET IN HEIGHT WITH # 5 BARS AT 32" O.C. GROUT BARS SOLID."

**BIDDER QUESTIONS AND ANSWERS**

- 1 Question: Sections 2 and 3/S3.4 are cut at the perimeter of the canopies on S1.3 but these sections are not shown on S3.4. Please provide missing sections.  
Answer: For answer to this question refer to Addendum No. 3.
- 2 Question: Section 1/S3.4 is cut along Line L between Lines 3.6 and 3.9 on S1.3.
  - a. Please confirm that this section has been cut at this location by mistake.
  - b. What section should be cut at this location?
  - c. Where should 1/S3.4 be cut?Answer: For answers to these questions refer to Addendum No. 3.
- 3 Question: Please refer to Section 1/S3.4.
  - a. What size is the HSS at elevation 11'-1"?
  - b. What thickness and length are the L3x3 at the columns?
  - c. What are the spacing of the I3x3 at the columns?Answer:
  - a. HSS size is indicated on S1.3. HSS 12x8x1/2.
  - b. The thickness and length are shown on S1.3.
  - c. The spacing is indicated on S1.3.
- 4 Question: Sections 1 and 2/A3.1 cut section 4/A3.5 at the roof. Section 4/A3.5 shows steel that is not on the structural drawings.
  - a. Please confirm that section 5/A3.6 is the same detail and that the second continuous angle shown in section 4/A3.5 is not required.
  - b. Please confirm that this is part of the steel package.Answer:
  - a. Structural drawings refer to architectural drawings for details. See enclosed sketch for clarifications.
  - b. Yes this is to be included in the steel package.
- 5 Question: Section 1/A3.6 shows a parapet that appears to be framed with steel angle. This is not shown on the structural drawings.
  - a. If this material is steel please provide size and shop finish for continuous angle and posts, and the spacing of the posts.
  - b. Please provide extent of where this detail is located as it is not clear in plan or elevation.Answer: See enclosed sketch.

**End of Addendum Four**



Division Of  
Construction Services

6030

**Bid Addendum**

Page 3 of 3

ADDENDUM NO.: FOUR

DATE OF ADDENDUM: January 12, 2016

A handwritten signature in blue ink that reads "Mellanee Walton".

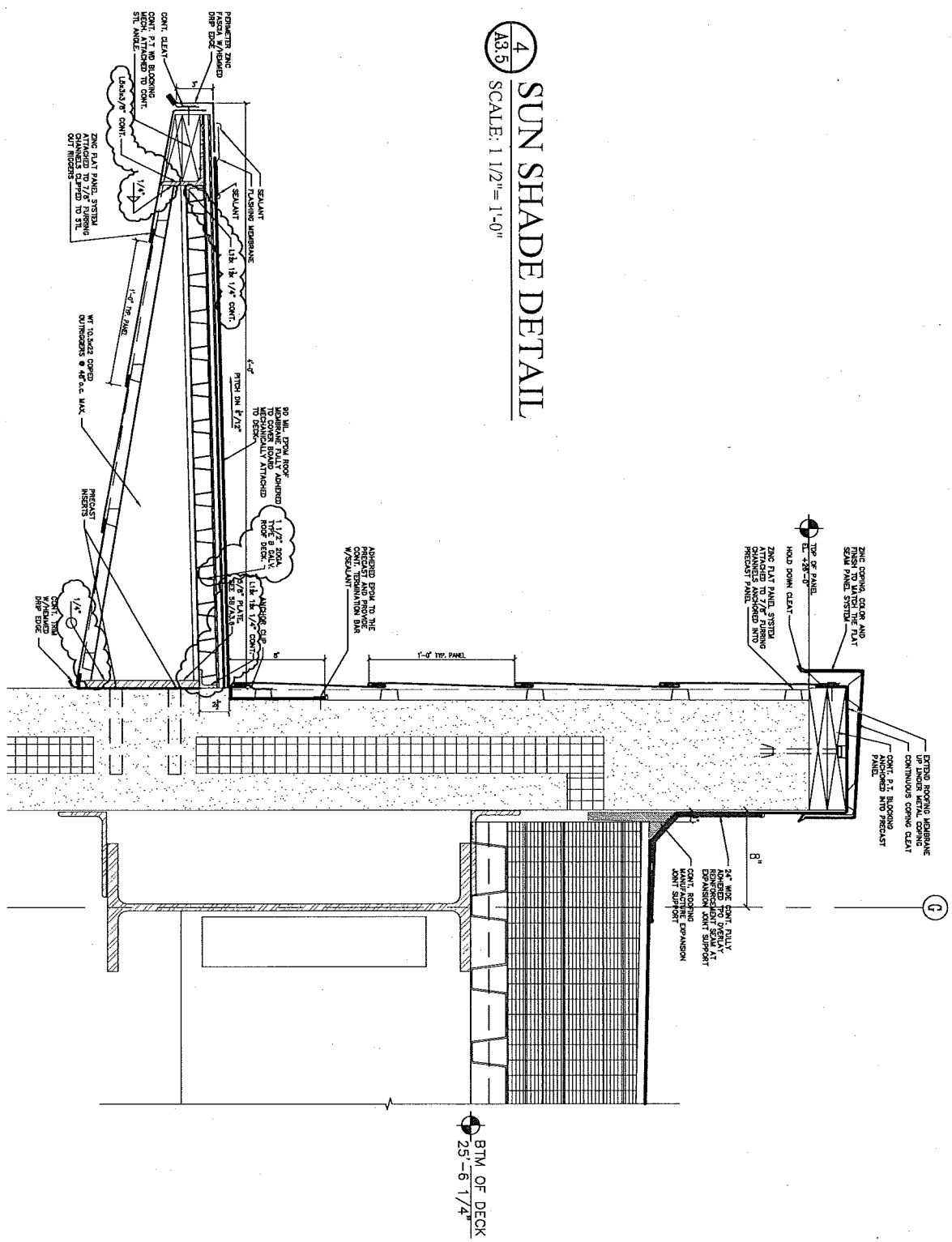
---

Mellanee Walton, Associate Fiscal Administrative Officer  
Department of Administrative Services  
On Behalf of the Division of Construction Services

4  
A3.5

# SUN SHADE DETAIL

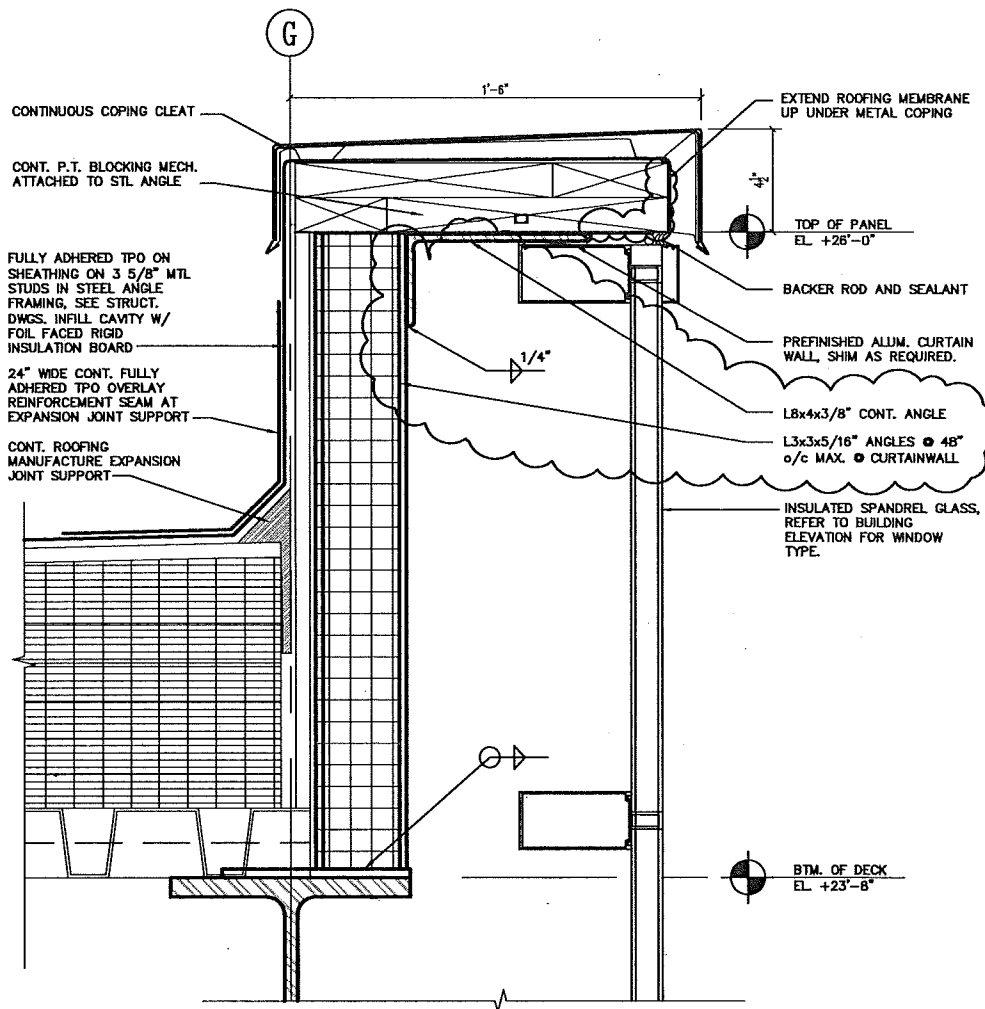
SCALE: 1 1/2" = 1'-0"



PROJECT TITLE Asnuntuck Community College  
 New Manufacturing Technology Center  
 170 Elm Street, Enfield, Connecticut  
 BI-CTC-488

SKETCH TITLE  
 SUN SHADE DETAIL

DATE 1/12/2016  
 COPYRIGHT © Moser Pilon Nelson Architects  
 SCALE: 1 1/2" = 1'-0"  
 SKETCH NO. AD4-SK-A3.5.1



1  
A3.6

# CURTAIN WALL PARAPET DETAIL

SCALE: 1 1/2" = 1'-0"

**moser  
pilon  
nelson  
architects**  
30 JORDAN LANE  
WETHERFIELD, CT. 06109  
860 263-6166

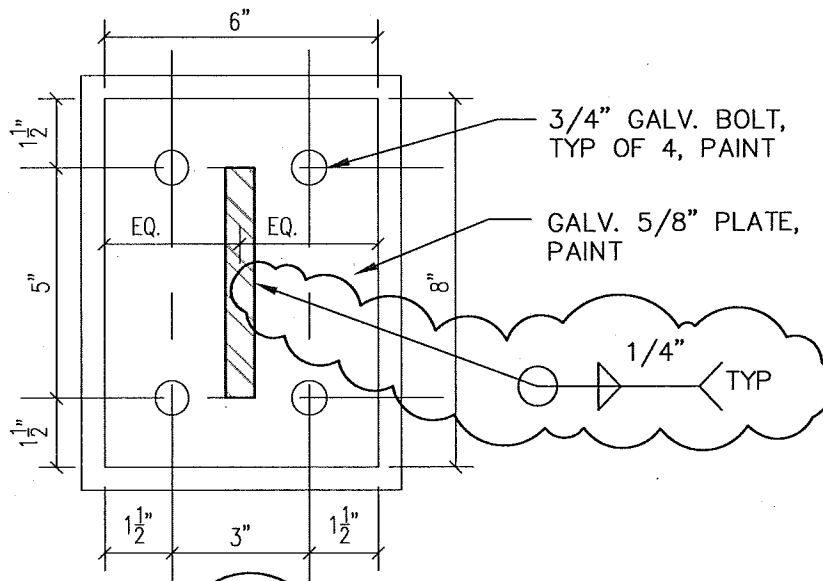
PROJECT TITLE Asnuntuck Community College  
New Manufacturing Technology Center  
170 Elm Street, Enfield, Connecticut  
BI-CTC-488

SKETCH TITLE CURTAIN WALL PARAPET DETAIL

DATE 1/12/2016  
COPYRIGHT © Moser Pilon Nelson Architects

SCALE: 1 1/2"=1'-0"

SKETCH NO. AD4-SK-A3.6.1



NOTE: PROVIDE AESS FINISH AT ALL EXPOSED STRUCTURAL AND EXPOSED MISCELLANEOUS STEEL INCLUDING CONNECTIONS

ALL EXPOSED STEEL TO BE SHOP PAINTED

4B  
A3.6

# PLATE DETAIL

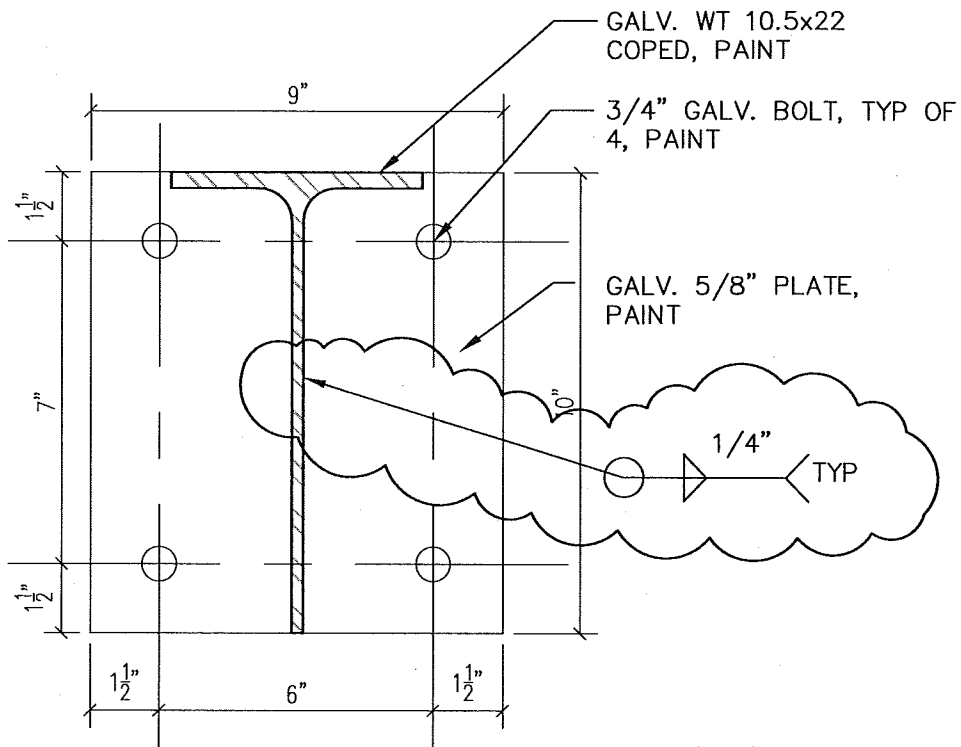
SCALE: 3"= 1'-0"



PROJECT TITLE Asnuntuck Community College  
New Manufacturing Technology Center  
170 Elm Street, Enfield, Connecticut  
BI-CTC-488

SKETCH TITLE  
PLATE DETAIL

DATE 1/12/2016  
COPYRIGHT © Moser Pilon Nelson Architects  
SCALE: 3"=1'-0"  
SKETCH NO.  
AD4-SK-A3.6.2



NOTE: PROVIDE AESS  
 FINISH AT ALL EXPOSED  
 STRUCTURAL AND  
 EXPOSED MISCELLANEOUS  
 STEEL INCLUDING  
 CONNECTIONS

ALL EXPOSED STEEL TO  
 BE SHOP PAINTED

5B  
 A3.6

# PLATE DETAIL

SCALE: 3"= 1'-0"



PROJECT TITLE Asnuntuck Community College  
New Manufacturing Technology Center  
 170 Elm Street, Enfield, Connecticut  
 BI-CTC-488

SKETCH TITLE PLATE DETAIL

DATE 1/12/2016

COPYRIGHT ©  
 Moser Pilon Nelson Architects

SCALE: 3"=1'-0"

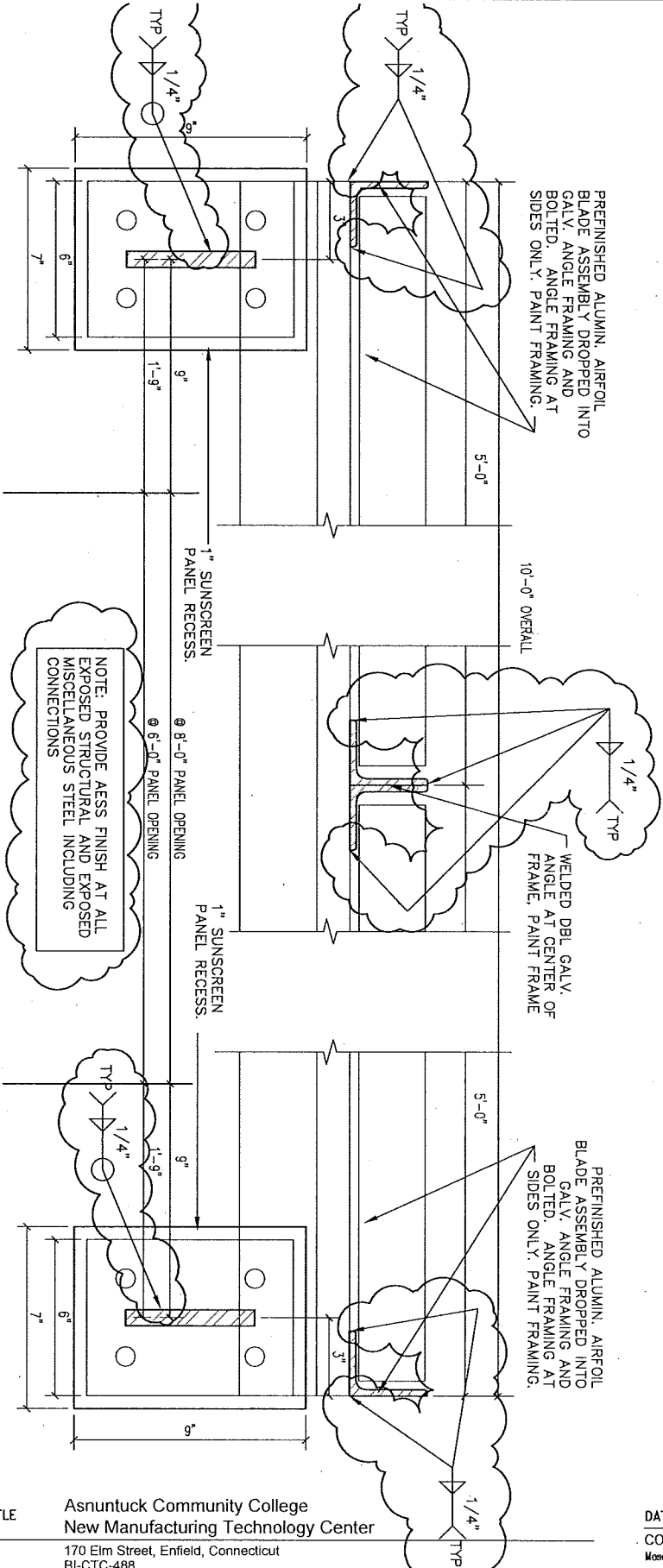
SKETCH NO.  
 AD4-SK-A3.6.3

4C  
A3.6

# SUN SCREEN FRAME ELEVATION

SCALE: 3"=1'-0"

ALL EXPOSED STEEL TO  
BE SHOP PAINTED



PROJECT TITLE	Asnuntuck Community College New Manufacturing Technology Center 170 Elm Street, Enfield, Connecticut BI-CTC-488
SKETCH TITLE	SUN SCREEN FRAME ELEVATION

DATE 1/12/2016  
 COPYRIGHT © Moser Pilon Nelson Architects  
 SCALE: 3"=1'-0"  
 SKETCH NO. AD4-SK-A3.6.4

